

KBR 32 Split Core-Current Transformer

Compact split-core current transformer for primary nominal currents from 100 A up to 600 A, secondary nominal current 1 A and 5 A.

The KBR 32 with secondary 1A will be delivered with 2.5 m connection cable 2x0.75 mm².

The secondary 5 A version will be delivered with 0.5 m connection cable 2x1.5 mm².



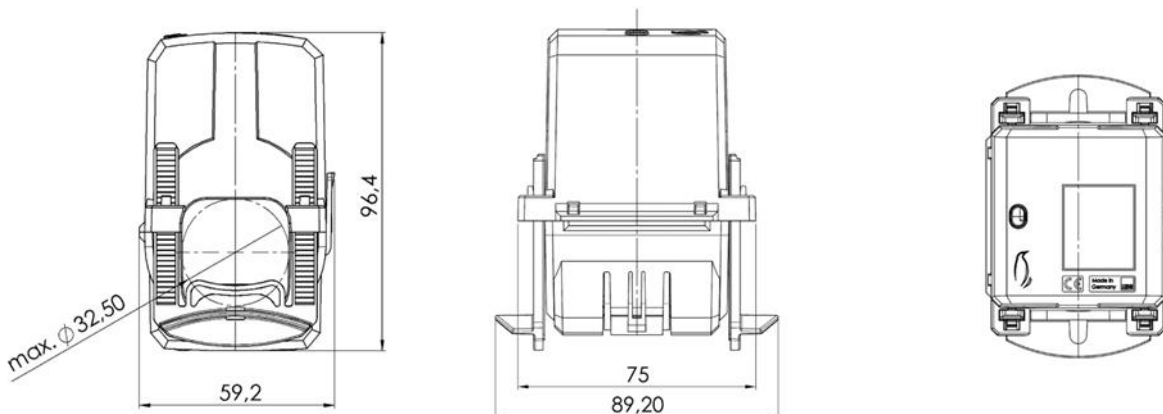
Dimensions:

Round conductor: 32,5 mm

Width: 59,2 mm

Height: 101,2 mm

Depth: 90 mm



Technical details:

Therm. nominal continuous current I_{ct} : 1,2 x I_N
Therm. nominal short-time current I_{th} : 60 x I_N , 1 sec.
Max. operating voltage U_m : 0.72 kV
Isolation test voltage: 3 kV, U_{eff} , 50 Hz, 1 min.
Nominal rated frequency: 50 Hz
Isolation class: E
Technical standards used IEC 61869-1/2

Further information:

Over-current limiting factor: See rating plate
Working temperature range: $-5^{\circ}\text{C} < T < +50^{\circ}\text{C}$
Storage temperature range: $-25^{\circ}\text{C} < T < +70^{\circ}\text{C}$
Unbreakable plastic housing made of grey polyamide: flame resistant
Package quantity: 1 pc.
Custom tariff number: 85043129

GMW SALES CONTACT:

www.g-mw.de
info@g-mw.de

Phone: +49/9103 7129-0
Fax: +49/9103 7129-205/207