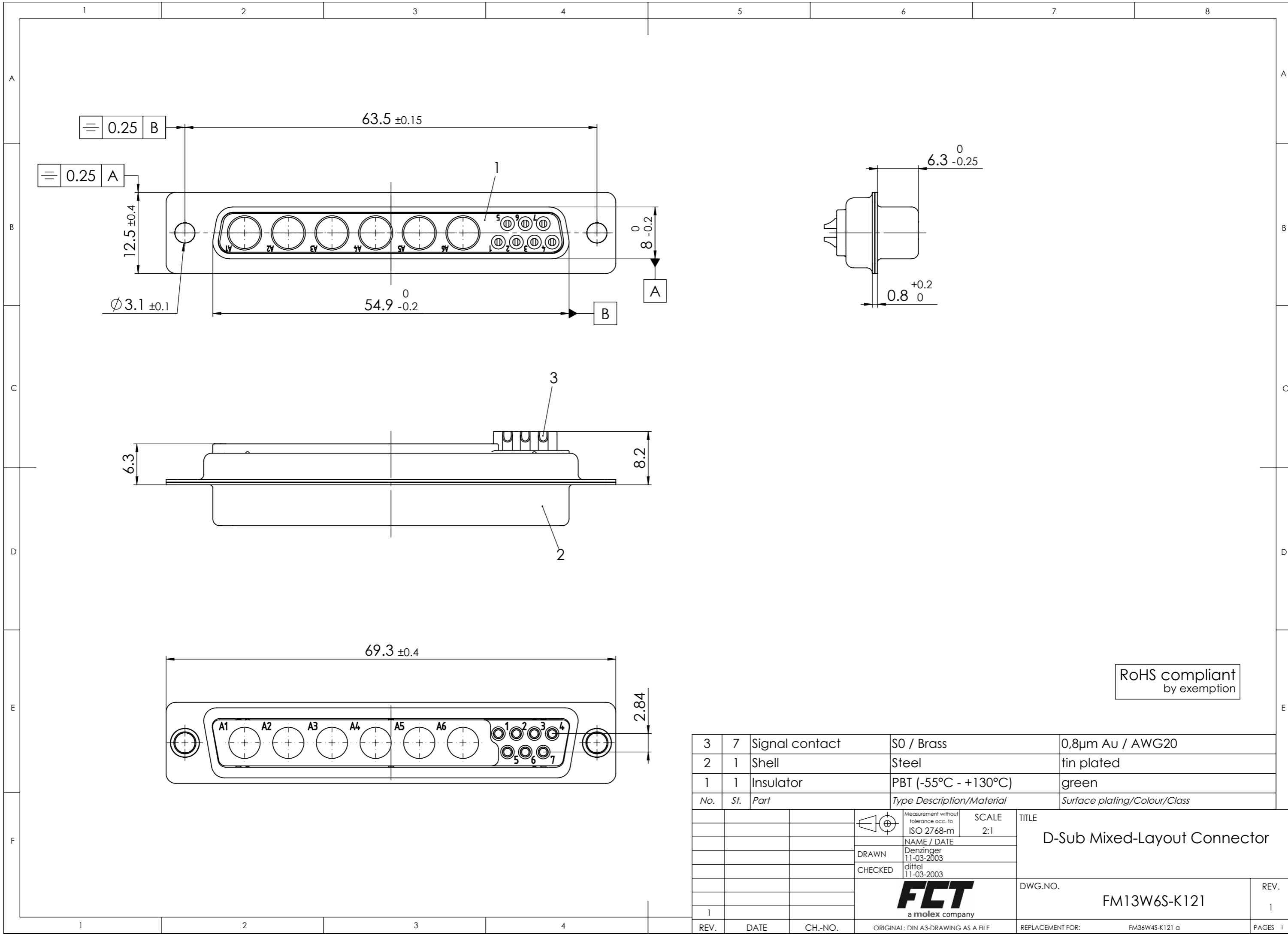


COMMENT:
 ALL RIGHTS ARE RESERVED BY US FOR THIS DRAWING. WITHOUT OUR PRIOR CONSENT,
 IT MAY NEITHER BE DUPLICATED NOR MADE AVAILABLE TO A THIRD PARTY.
 AND IT ALSO MAY NOT BE IMPROPERLY USED BY THE RECEIVER, OR A THIRD PARTY.



RoHS compliant
 by exemption

No.	St.	Part	Type Description/Material	Surface plating/Colour/Class
3	7	Signal contact	S0 / Brass	0,8µm Au / AWG20
2	1	Shell	Steel	tin plated
1	1	Insulator	PBT (-55°C - +130°C)	green

		Measurement without tolerance occ. to ISO 2768-m		SCALE	TITLE
				2:1	
		NAME / DATE			
		DRAWN		Denzinger	D-Sub Mixed-Layout Connector
				11-03-2003	
		CHECKED		dittell	
				11-03-2003	
				DWG.NO.	
				FM13W6S-K121	
				REV.	
				1	
1	REV.	DATE	CH.-NO.	ORIGINAL: DIN A3-DRAWING AS A FILE	REPLACEMENT FOR: FM36W4S-K121 a
				PAGES	1

