

SIZE	Part Num.	Threading	Jackscrew colour
25	86303639BLF	UNC 4.40	black
	86303644BLF	M3	grey
	86303644B100LF	M3	grey

NOTES:

Material: Nylon (UL94V-2)

Cable strain relief: Cable clamp with Self-faping screws

Temperature range: -40°C to 95°C

Cable diameter: 4.0 to 11.0mm

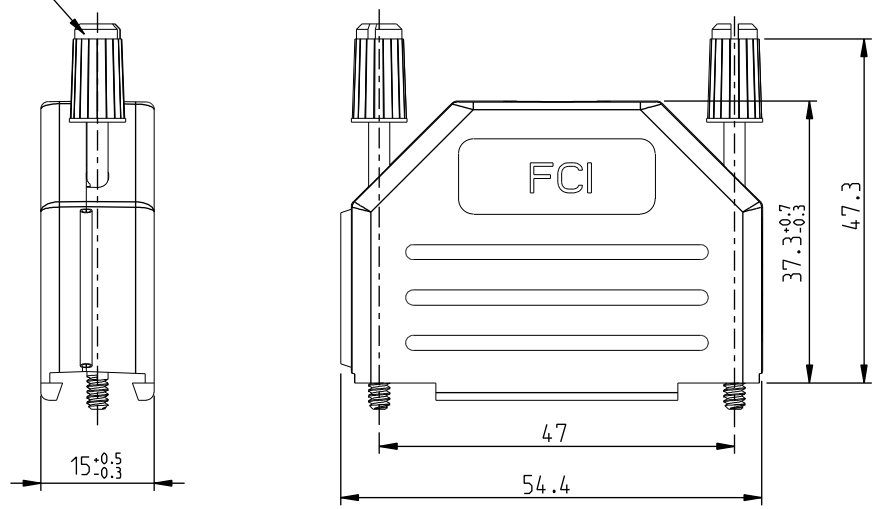
Jackscrew colour: black for 4.40 UNC }  
grey for M3.0

Packaging: - Part Num. ending BLF = Box of 100 individual sets.  
- Part Num. ending B100LF = Box of bulk components in plastic bags (see quantity on the table).

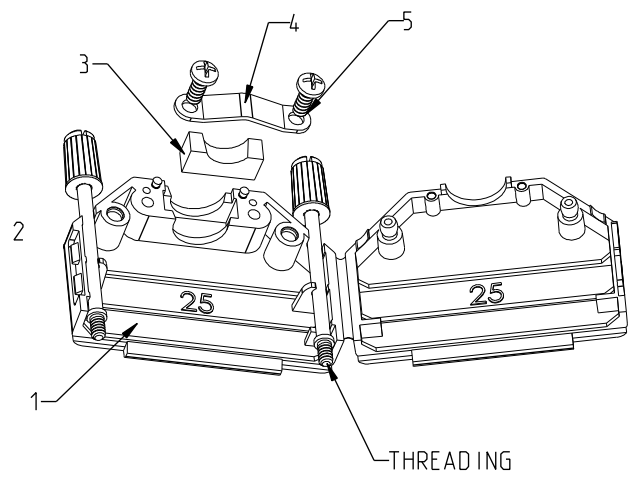
Cable clamp screwing force (max): 70 Ncm

Jack screws screwing force (max): 50 Ncm

See table for colour coding



- The "LF" product meets European Union Directives and other country regulations as described in GS-22-008.  
- The product is not intended to be exposed to a manufacturing solder process.  
- packaging spec; see GS-14-920.



DESIGNATION	REP	Qty per set	Qty per bulk
BACKSHELL	1	1	100
JACKSCREWS	2	2	200
GROMMET	3	1	100
CABLECLAMP	4	1	100
SCREWS POZIDRIVE	5	2	200

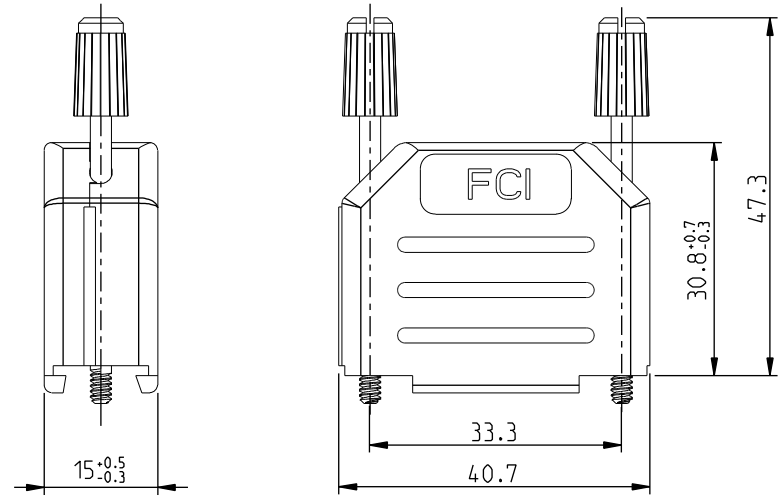
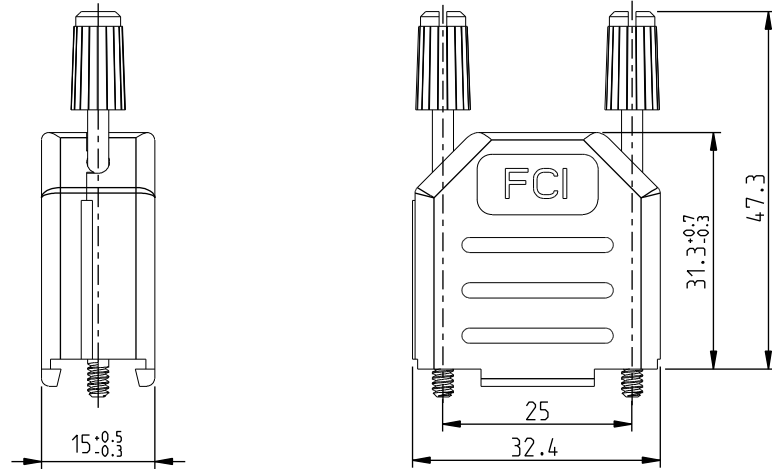
Copyright FCI.

rev	ecn no	dr	date
A	LS05-0086	LGO	2005/10/10
B	LS06-0084	LGO	2006/06/20
C	LS08-0155	MPE	2008/06/27
D	F09-0223	LSA	2009/11/24
E	F10-0083	LSA	2010/08/04
-	-	-	-
-	-	-	-

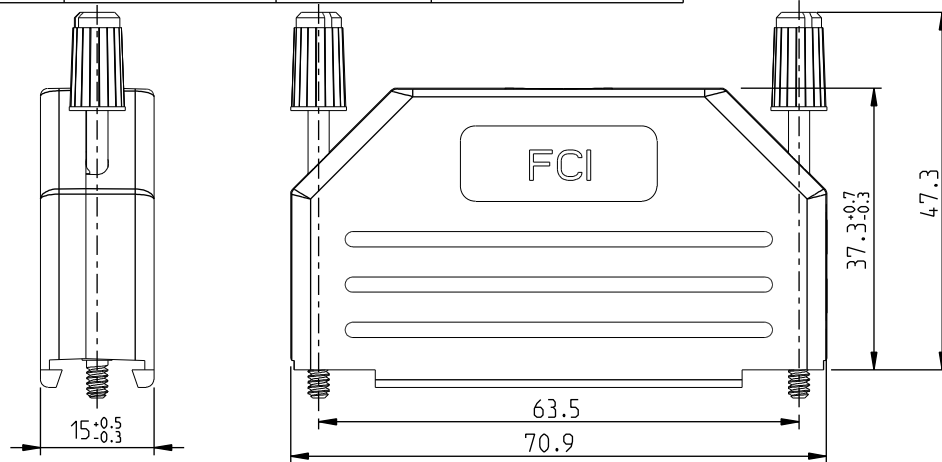
www.fciconnect.com		surface ISO 1302	-	tolerance std ISO 406 ISO 1101	projection	mm
TOLERANCES UNLESS OTHERWISE SPECIFIED				ANGULAR	LINEAR	size A3
Dr	GOISNARD L	2004.03.22	0.x	±/	Scale 3:2	
Eng	PESSON M	2004.03.22	0.xx	±/	ECN F10-0083	
Chr	LEGARE .P	2004.03.22	0.xxx	±/	Spec ref	-
Appr	LEGARE P	2004.03.22	Product family D-SUB HOODS			
Title D-SUB PLASTIC SHELLS STRAIGHT SNAP-TOGETHER					dwg no 10061215C	Rev. E
catalog no see tables			CUSTOMER		sheet 1 of 3	

SIZE	Part Num.	Threading	Jackscrew colour	Packaging box
9	86303637BLF	UNC 4.40	Black	Individual sets
	86553329BLF	M3	Grey	Individual sets
	86553329B100LF	M3	Grey	Individual bulks

SIZE	Part Num.	Threading	Jackscrew colour	Packaging box
15	86303638BLF	UNC 4.40	Black	Individual sets
	86553330BLF	M3	Grey	Individual sets
	86553330B100LF	M3	Grey	Individual bulks



SIZE	Part Num.	Threading	Jackscrew colour
37	86303640BLF	UNC 4.40	black
	86303645BLF	M3	grey
	86303645B100LF	M3	grey



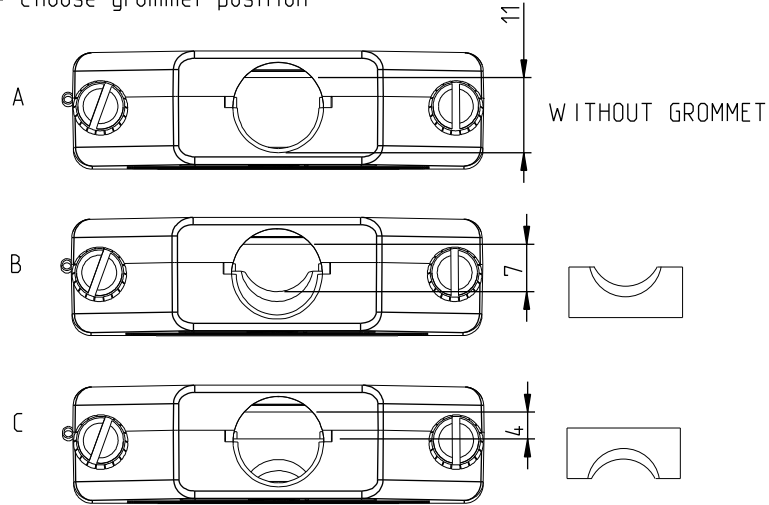
www.fciconnect.com		surface ISO 1302	tolerance std ISO 406 ISO 1101	projection	mm
		TOLERANCES UNLESS OTHERWISE SPECIFIED			
Dr	GOISNARD L 2004.03.22	ANGULAR	0.x ±/	size	Scale 1:1
Eng	PESSON M 2004.03.22	LINEAR	0.xx ±/	A3	
Chr	LEGARE .P 2004.03.22	0° ±/	0.xxx ±/	ECN	F10-0083
Appr	LEGARE P 2004.03.22	Product family D-SUB HOODS		Spec ref	-
	Title D-SUB PLASTIC SHELLS STRAIGHT SNAP-TOGETHER		cat no	10061215C	Rev. E
		see tables	CUSTOMER	sheet 2 of 3	

Copyright FCI.

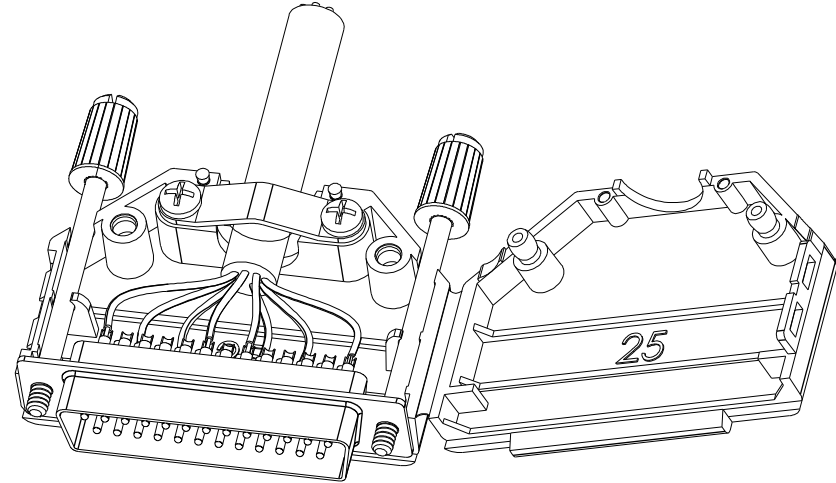
REV E - 2006-03-28

# CABLING INSTRUCTIONS

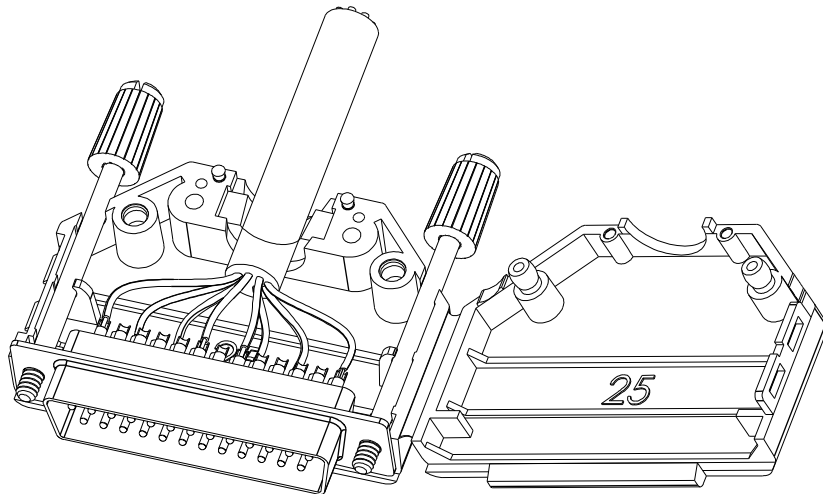
1- Choose grommet position



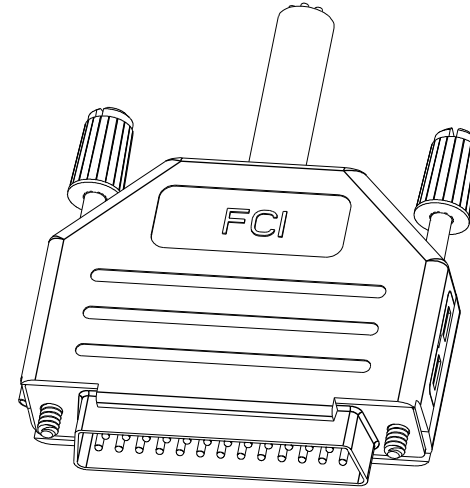
3- Mount cableclamp and screws



2- Mount connector and cable inside



4- Close the backshell and click together



Copyright FCI.

www.fciconnect.com			surface ISO 1302	✓	tolerance std ISO 406 ISO 1101	projection ⊕	mm ↔
TOLERANCES UNLESS OTHERWISE SPECIFIED						size A3	Scale 1:1
Dr	GOISNARD L	2004.03.22	ANGULAR	LINEAR	0.x ±/	ECN	F10-0083
Eng	PESSON M	2004.03.22	0°. ±/°		0.xx ±/	Spec ref	-
Chr	LEGARE .P	2004.03.22	Product family		0.xxx ±/		
Appr	LEGARE P	2004.03.22	D-SUB HOODS				
FCI			Title			Dwg no	
			D-SUB PLASTIC SHELLS			10061215C	
			STRAIGHT SNAP-TOGETHER			Rev. E	
			catalog no			see tables	
						CUSTOMER	
						sheet 3 of 3	