

15 KLB 4

Jack connectors

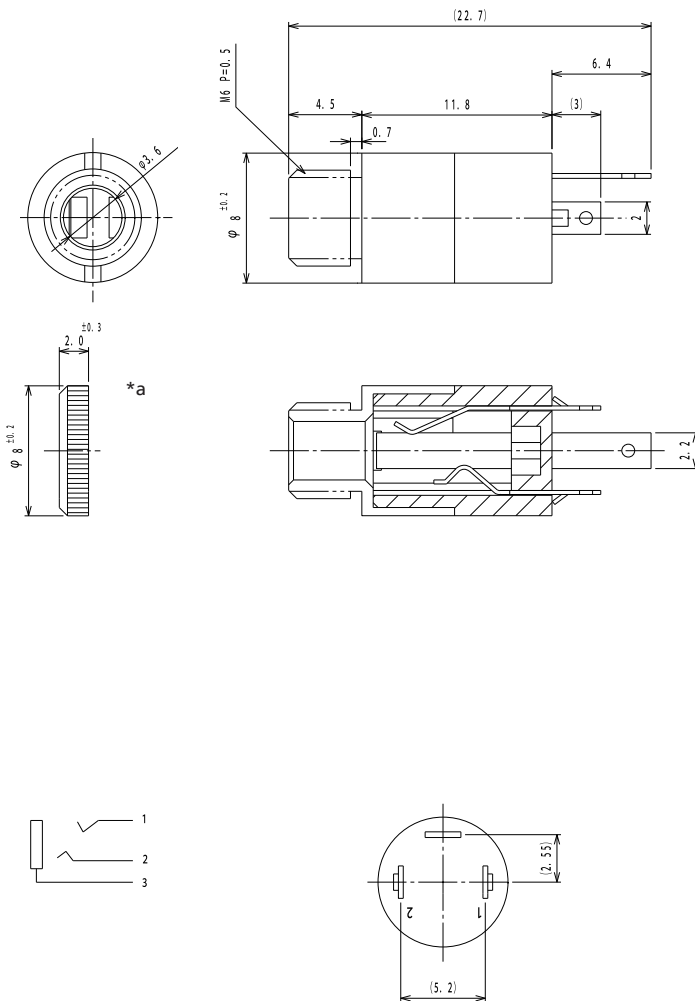


Jack chassis socket acc. to JIS C 6560 JC35J3A, 3.5 mm, 3 poles/stereo, with solder eyes, for back side mounting

State: Active

15

KLB 4



*a nut included, can also be delivered separately (spare part)

Environmental conditions

Temperature range -20 °C/+70 °C

Materials

Insulating body PBT GF, V-0 according to UL94
 Contact Cu alloy, nickel-plated/gold-plated
 Housing CuZn, nickel-plated
 Knurled nut CuZn, nickel-plated

Mechanical data

Mating cycles ≥ 5000
 Insertion force 5–20 N
 Withdrawal force 4–20 N

Electrical data (at T_{amb} 20 °C)

Contact resistance ≤ 30 m Ω
 Rated current 1 A
 Rated voltage 34 V AC/DC
 Rated impulse voltage 500 V/60 s
 Insulation resistance ≥ 100 M Ω

Associated products

Counterparts
 ☞ 1532 07 ☞ KLS 40 ☞ KLS 44
 ☞ WKLS 40

Accessories
 ☞ 1597 02 ☞ 1597 04

15

KLB 4

| Designation | Pole Number | PU (Pieces) | MDQ (Pieces) |
|-------------|-------------|-------------|--------------|
| KLB 4 | 3 | 100 | 500 |

Packaging:

in bulk, in a cardboard box or a plastic bag