

Cable housing - KGG-MC 1,5/ 2 - 1834343


Please be informed that the data shown in this PDF Document is generated from our Online Catalog. Please find the complete data in the user's documentation. Our General Terms of Use for Downloads are valid (<http://phoenixcontact.com/download>)



Cable housing, pitch: 3.81 mm, number of positions: 2, dimension a: 10.01 mm, color: green

RoHS

Key Commercial Data

Packing unit	1 pc
Minimum order quantity	10 pc
GTIN	 4 017918 051860
GTIN	4017918051860
Weight per Piece (excluding packing)	4.000 g
Custom tariff number	85389099
Country of origin	Poland

Technical data

Dimensions

Width [w]	14.5 mm
Height [h]	35.6 mm
Pitch	3.81 mm
Dimension a	10.01 mm

General

Range of articles	KGG-MC 1,5
Number of positions	2
Insulating material group	I
Insulating material	ABS

Cable housing - KGG-MC 1,5/ 2 - 1834343

Technical data

General

Flammability rating according to UL 94	HB
--	----

Standards and Regulations

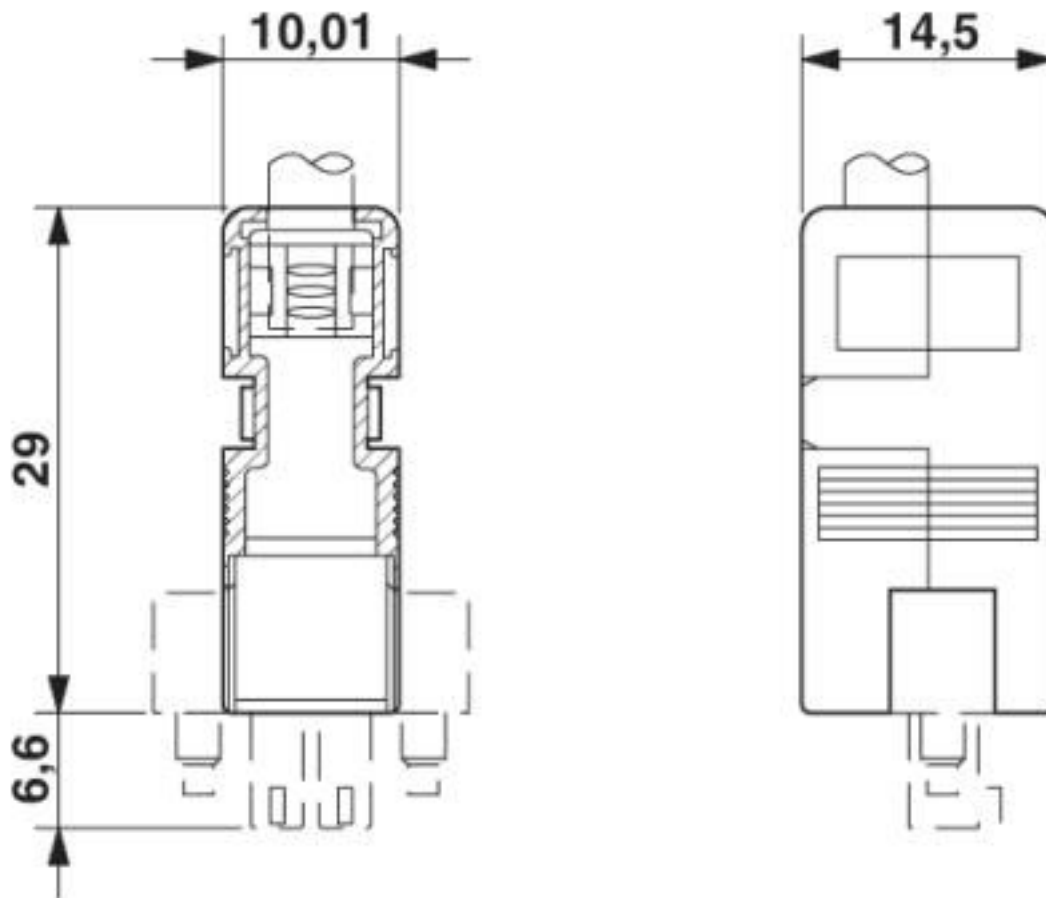
Flammability rating according to UL 94	HB
--	----

Environmental Product Compliance

China RoHS	Environmentally friendly use period: unlimited = EFUP-e
	No hazardous substances above threshold values

Drawings

Dimensional drawing



Cable housing - KGG-MC 1,5/ 2 - 1834343

Classifications

eCl@ss

eCl@ss 10.0.1	27440392
eCl@ss 4.0	27260700
eCl@ss 4.1	27260700
eCl@ss 5.0	27260700
eCl@ss 5.1	27261200
eCl@ss 6.0	27261200
eCl@ss 7.0	27440202
eCl@ss 8.0	27440390
eCl@ss 9.0	27440392

ETIM

ETIM 3.0	EC001121
ETIM 4.0	EC000879
ETIM 5.0	EC000437
ETIM 6.0	EC000437
ETIM 7.0	EC000437

UNSPSC

UNSPSC 6.01	30211810
UNSPSC 7.0901	39121409
UNSPSC 11	39121409
UNSPSC 12.01	39121409
UNSPSC 13.2	31261501
UNSPSC 18.0	31261501
UNSPSC 19.0	31261501
UNSPSC 20.0	31261501
UNSPSC 21.0	31261501

Approvals

Approvals

Approvals


EAC

Ex Approvals

Cable housing - KGG-MC 1,5/ 2 - 1834343

Approvals

Approval details

EAC		B.01687
-----	---	---------

Accessories

Accessories

Terminal marking

Marker card - SBS10:UNBEDRUCKT - 1007248



Marker card, Card, white, unlabeled, can be labeled with: Marker pen, perforated, mounting type: snap into tall marker groove, snap into flat marker groove, for terminal block width: 10 mm, lettering field size: 6 x 10.1 mm, Number of individual labels: 250