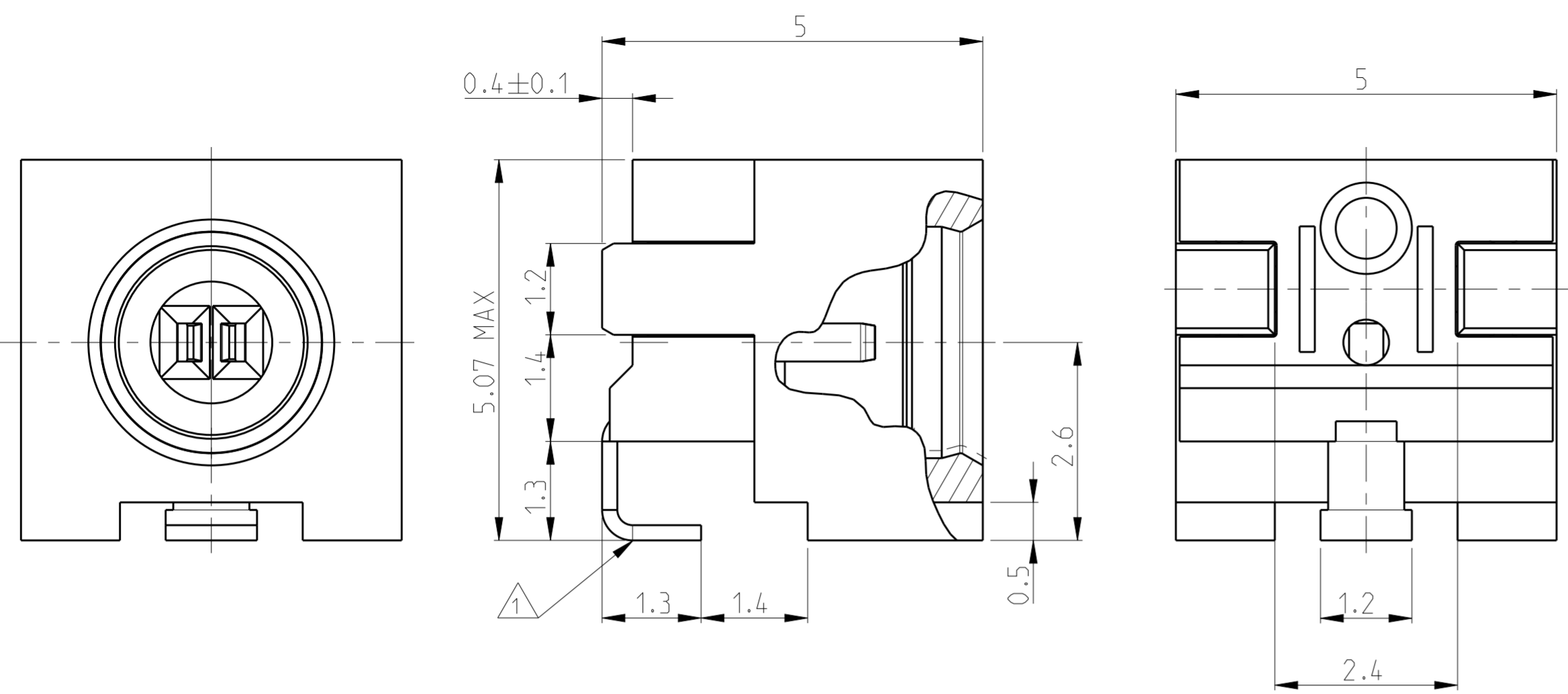
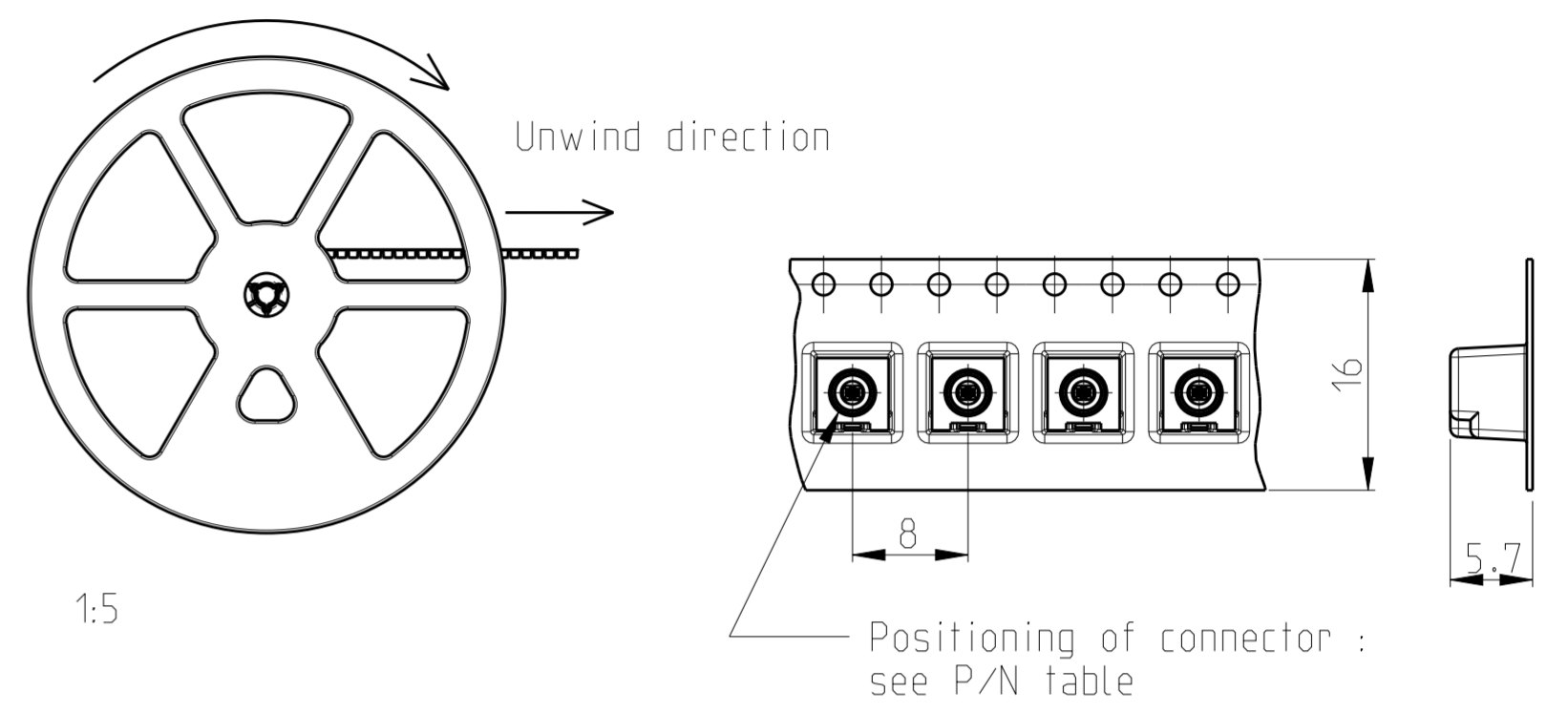


P	LTR	DESCRIPTION	DATE	DWN	APVD
A2		ECR-19-006203	23APR2019	RZ	RS

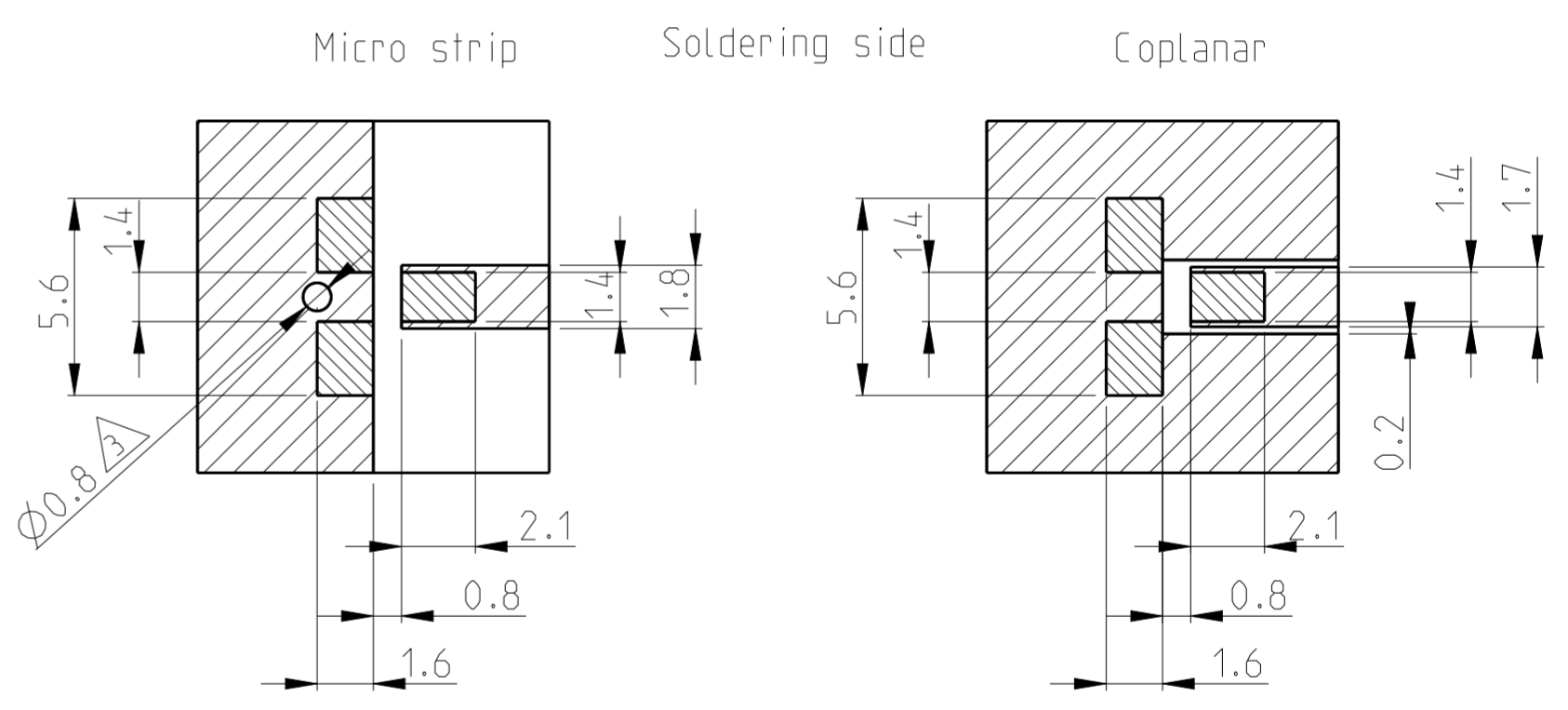


Packaging : Tape on reel
 Reel width : 22.4 mm
 Reel diameter : 330 mm
 Quantity per reel : 1500



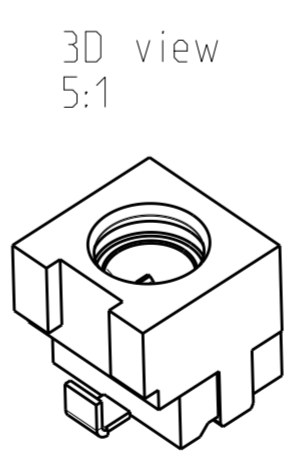
- ① Signal contact solder lead
- ② Partial Sn plating on ①
- 3) Interface dimensions in accordance with CECC22340
- 4) Comply with IEC 60286-3 and EIA-481
- ⑤ DIN ISO 8015; DIN ISO 2768-m-H

Solderpad layout



Bottom side : fully metallised
 Bottom side : no requirements
 Applicable for PCB :
 1 mm thickness and FR4 material
 All tolerances of solder pad layout : ±0.05
 ③ Plated through hole

Tyco part number	Style	Positioning in tape
6-1460820-1 (ROHS Compliant) ②	Straight 	Straight
6-1460820-2 (ROHS Compliant) ②	Right angled 	Right angled



Active part numbers : contact TE CONNECTIVITY for other configuration availability

THIS DRAWING IS A CONTROLLED DOCUMENT.		DWN AH 07OCT2005	TE Connectivity	
		CHK RL 12OCT2005		
DIMENSIONS: mm		APVD -	NAME SMD Jack, series MMCX	
TOLERANCES UNLESS OTHERWISE SPECIFIED: ⑤		PRODUCT SPEC -	-	
0 PLC ±		APPLICATION SPEC -	-	
1 PLC ±		WEIGHT -	-	
2 PLC ±		CUSTOMER DRAWING	SIZE A2	CAGE CODE 00779
3 PLC ±		SCALE 15:1	DRAWING NO C-1460820	RESTRICTED TO -
4 PLC ±		SHEET 1 OF 1	REV A2	
ANGLES ±				
FINISH -				

Mouser Electronics

Authorized Distributor

Click to View Pricing, Inventory, Delivery & Lifecycle Information:

[TE Connectivity:](#)

[6-1460820-1](#)