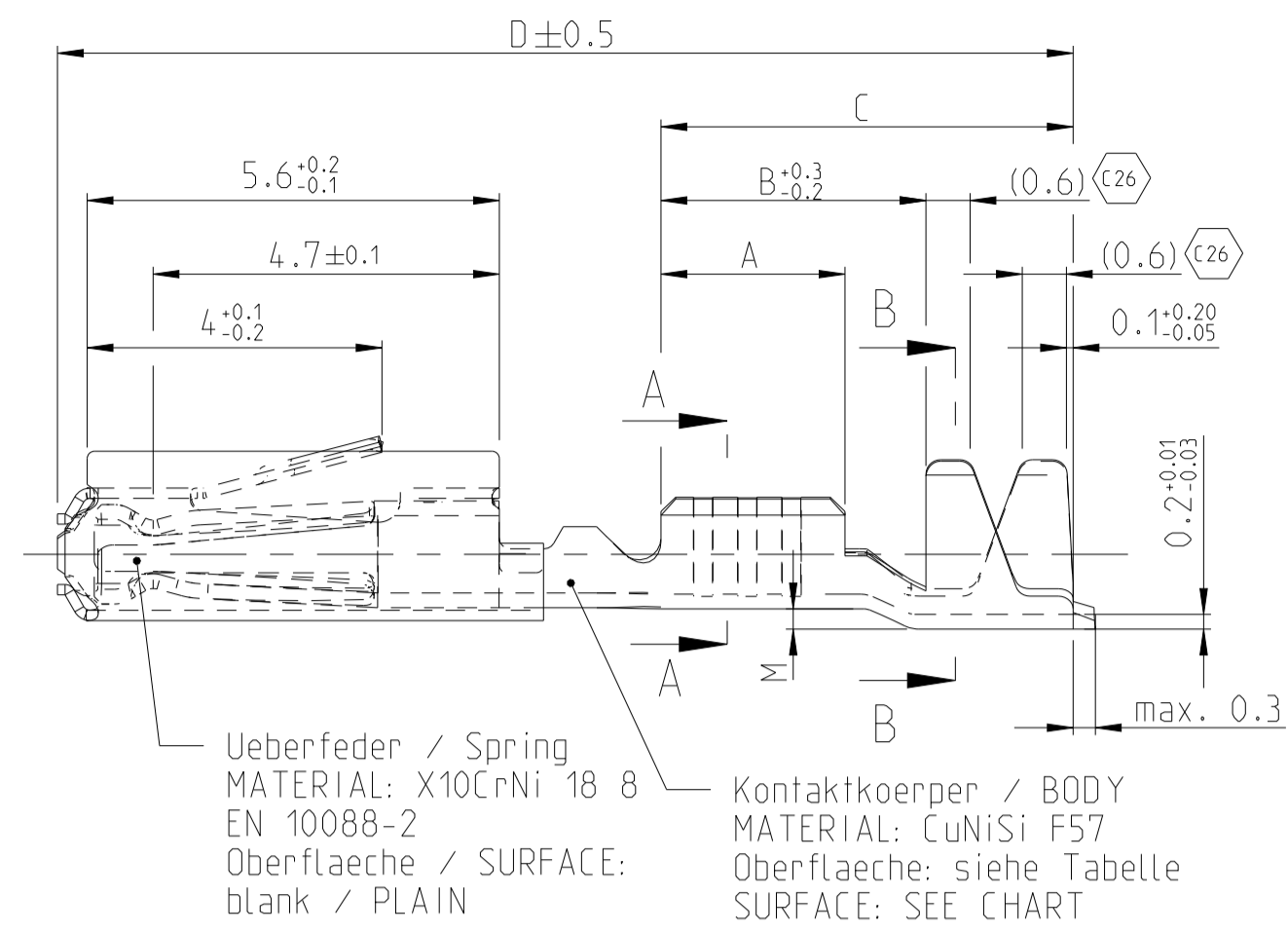
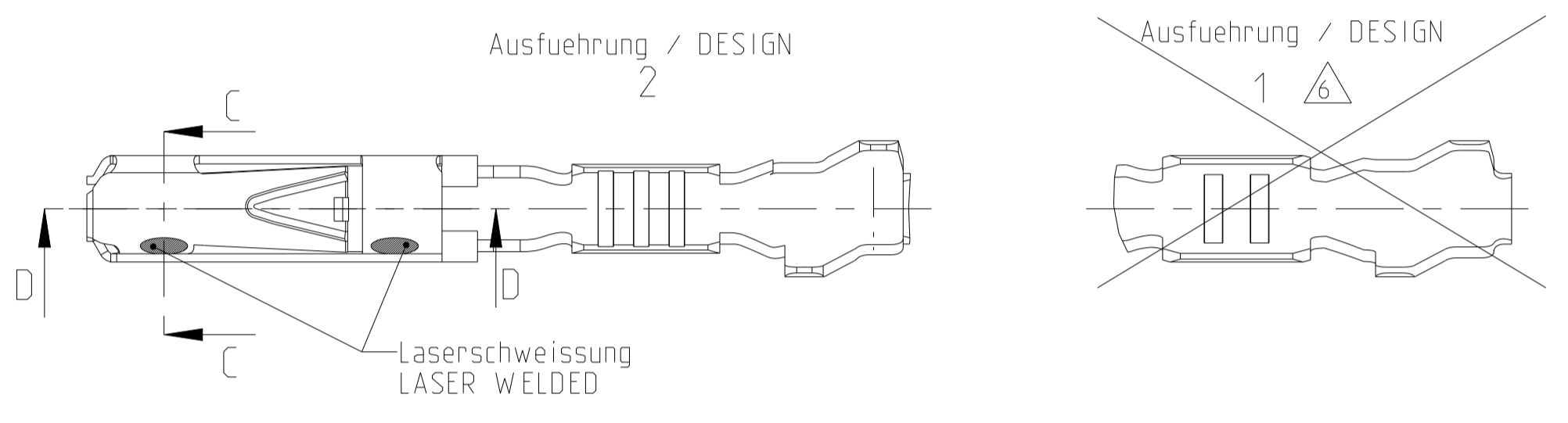
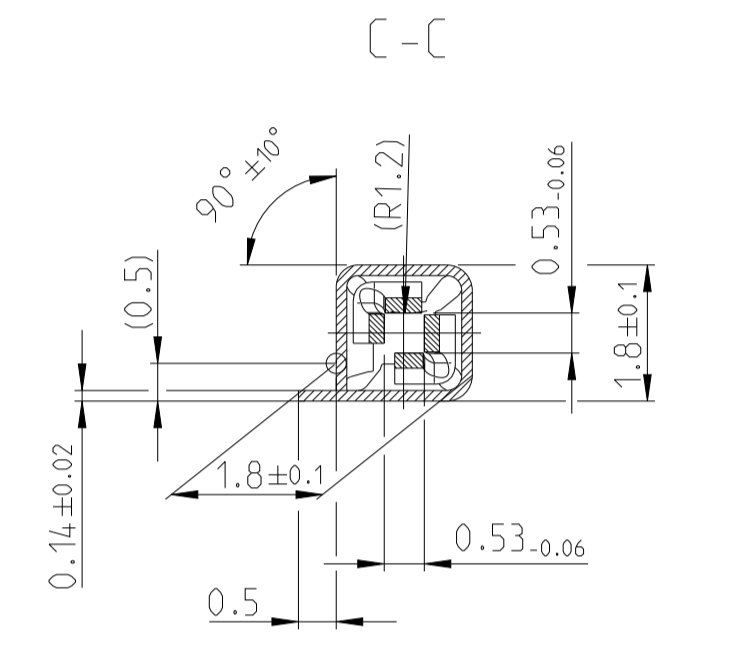
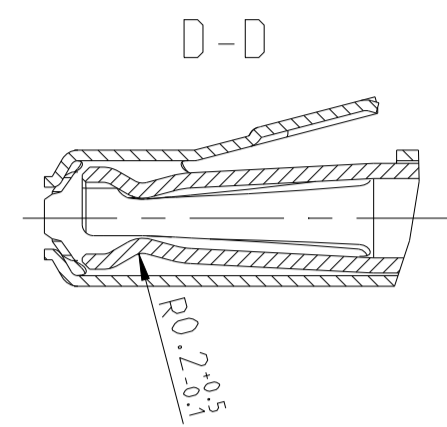
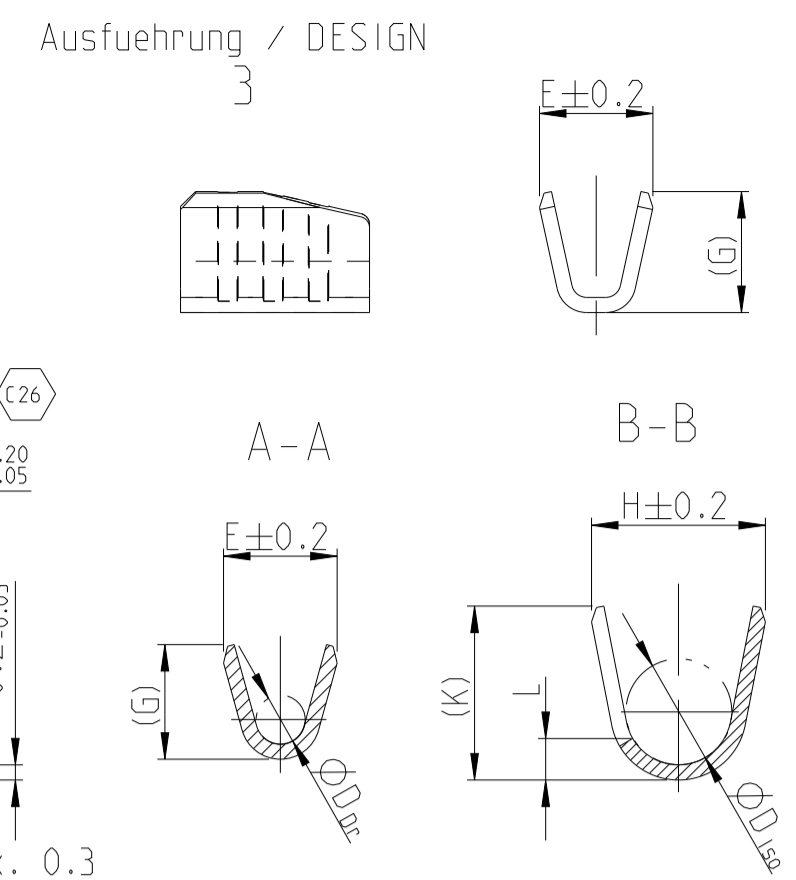


Normale Anwendung USUAL APPLICATION

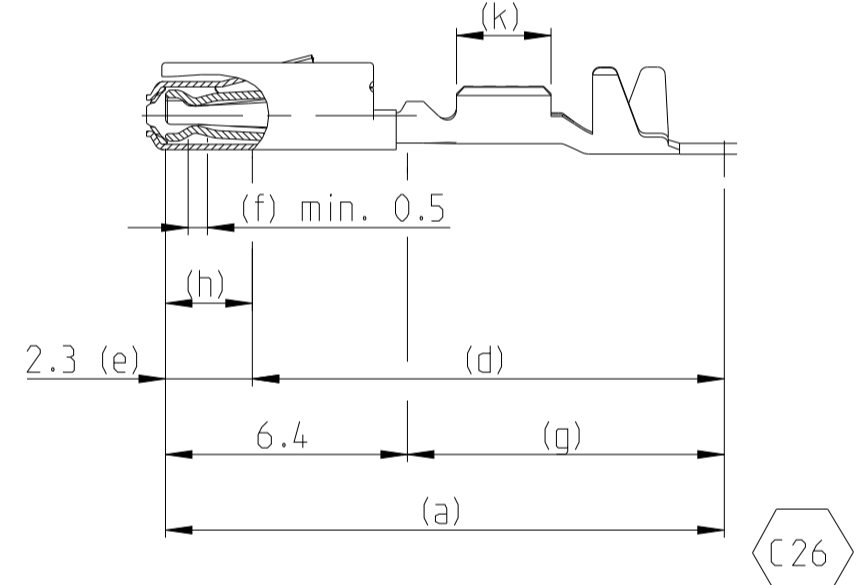


Ueberfeder / Spring
 MATERIAL: X10CrNi 18 8
 EN 10088-2
 Oberflaeche / SURFACE:
 blank / PLAIN

Kontaktkoerper / BODY
 MATERIAL: CuNiSi F57
 Oberflaeche: siehe Tabelle
 SURFACE: SEE CHART



Oberflaeche / FINISH

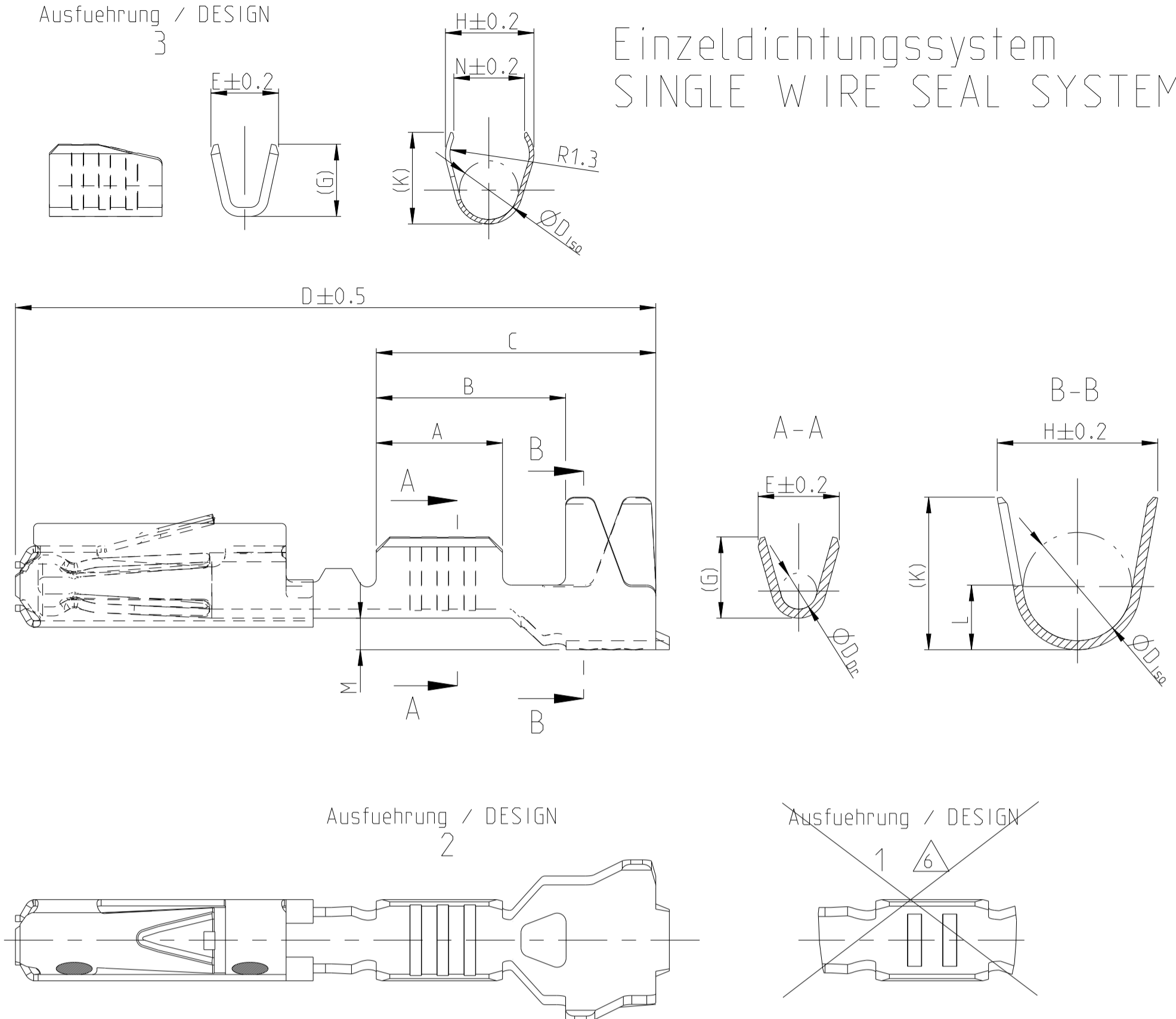


Sn: verzinnete Ausfuehrung
 TINNED
 (a) Kontaktkoerper: 0.8 - 2 µm Sn
 BODY: 0.8 - 2 µm Sn

Ag: versilbert
 SILVER
 (e) min. 0.3 µm Ag
 (f) min. 2.8 µm Ag INSIDE
 min. 2.8 µm Ag innen
 (g) min. 0.2 µm Sn
 (k) min. 0.8 - 2 µm Sn

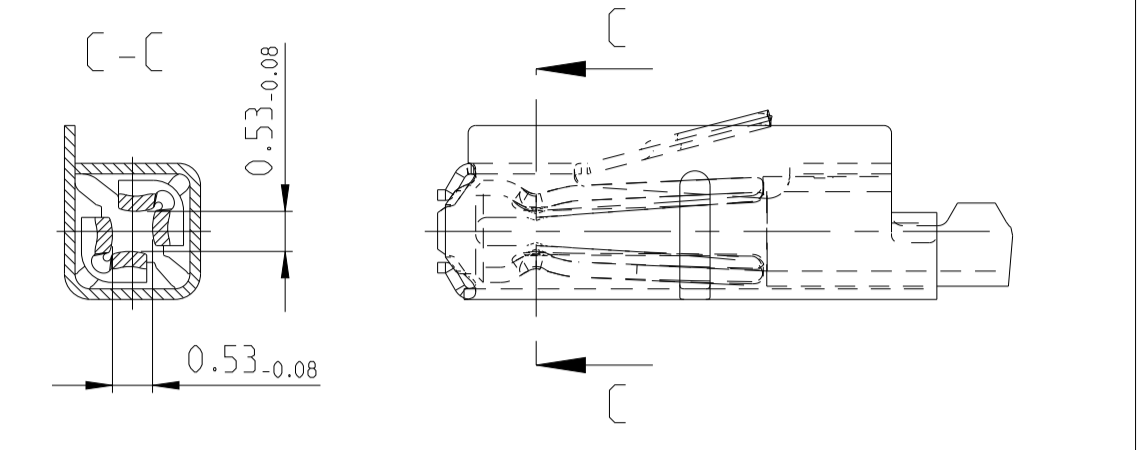
Au (galvanisch): galvanisch vergoldet
 GOLD-ELECTROPLATED
 (d) 0.05-1 µm Ni, beidseitig
 0.05-1 µm Ni, ON BOTH SIDES
 (e) 1-3 µm Ni, beidseitig
 1-3 µm Ni, ON BOTH SIDES
 (f) min. 1.8 µm Au ueber (e), innen
 MIN. 1.8 µm Au OVER (e), INSIDE
 (g) min. 0.2 µm Sn ueber (d), beidseitig
 MIN. 0.2 µm Sn OVER (d), ON BOTH SIDES
 (h) Au galvanisch auslaufend
 Au OVERPLATING
 (k) min. 0.8 - 2.0 µm Sn

Ausfuehrung / DESIGN Einzeldichtungssystem SINGLE WIRE SEAL SYSTEM

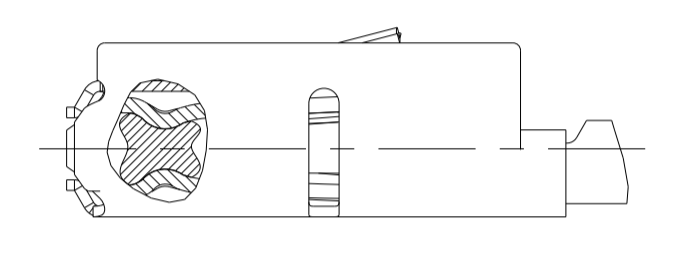


REV	LTH	DESCRIPTION	DATE	OWN	APPV
C23		Definition of measurement point f. contact height	30APR2019	FRAN	BERG
C24		See PCN E-19-011079	09DEC2019	MAH.	BERG
C25		See PCN E-20-001102	28AUG2020	MAH.	BERG
C26		See PCN E-20-016678 and PCN-21-110979	20AUG2021	FRAN	BERG

versilberte/vergoldete Ausfuehrung SILVER/GOLD VERSION



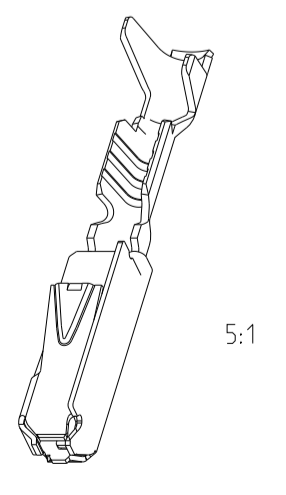
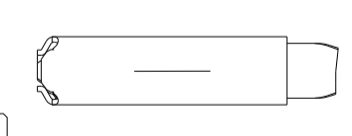
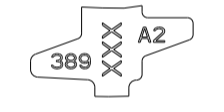
GEL VERSION



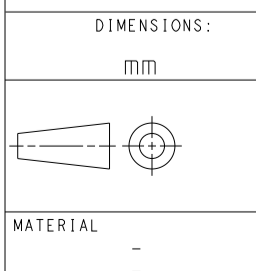
Part No.	Rev.	Material	Surface	Finish	Wire Size Range	Length	Weight	Notes
6-965906-5	E	Ag	Au-Gel	1-965906-5	0.50-0.75	A=2.8, B=4.2, C=6.2, D=14.3, M=0.7	E=2, G=2.1, Dr=1	H=3.5, K=3.4, L=1.5, D150=2.4
5-965906-6	D	Ag	Au	965906-6	0.50-0.75	A=2.8, B=4.2, C=6.2, D=14.3, M=0.7	E=2, G=2.1, Dr=1	H=3.5, K=3.4, L=1.5, D150=2.4
5-965906-5	E	Ag	Au	965906-5	0.50-0.75	A=2.8, B=4.2, C=6.2, D=14.3, M=0.7	E=2, G=2.1, Dr=1	H=3.5, K=3.4, L=1.5, D150=2.4
5-965906-1	D	Ag	Sn	965906-1	0.50-0.75	A=2.8, B=4.2, C=6.2, D=14.3, M=0.7	E=2, G=2.1, Dr=1	H=3.5, K=3.4, L=1.5, D150=2.4
5-962885-6	J	Ag	Ag	962885-6	0.25-0.35	A=2.5, B=3.9, C=5.9, D=14, M=0.7	E=1.8, G=1.8, Dr=0.8	H=3.5, K=3.4, L=1.5, D150=2.4
5-962885-5	K	Ag	Au	962885-5	0.25-0.35	A=2.5, B=3.9, C=5.9, D=14, M=0.7	E=1.8, G=1.8, Dr=0.8	H=3.5, K=3.4, L=1.5, D150=2.4
5-962885-1	J	Ag	Sn	962885-1	0.25-0.35	A=2.5, B=3.9, C=5.9, D=14, M=0.7	E=1.8, G=1.8, Dr=0.8	H=3.5, K=3.4, L=1.5, D150=2.4
2141826-6	A	Ag	Ag	2141826-6	0.13 / 0.17	A=2.5, B=4.3, C=6.2, D=14.2, M=0.6 (C26)	E=1.5, G=1.4	H=4, K=3.9, N=3.1, D150=2.6
2141826-5	A	Ag	Au	2141826-5	0.13 / 0.17	A=2.5, B=4.3, C=6.2, D=14.2, M=0.6 (C26)	E=1.5, G=1.4	H=4, K=3.9, N=3.1, D150=2.6
2141826-1	A	Ag	Sn	2141826-1	0.13 / 0.17	A=2.5, B=4.3, C=6.2, D=14.2, M=0.6 (C26)	E=1.5, G=1.4	H=4, K=3.9, N=3.1, D150=2.6
6-963715-5	K	Ag	Au-Gel	1-963715-5	0.50-0.75	A=2.8, B=3.6, C=5.6, D=13.7, M=0.2	E=2, G=2.1, Dr=1	H=2.7, K=2.9, L=0.7, D150=1.6
5-963715-6	J	Ag	Ag	963715-6	0.50-0.75	A=2.8, B=3.6, C=5.6, D=13.7, M=0.2	E=2, G=2.1, Dr=1	H=2.7, K=2.9, L=0.7, D150=1.6
5-963715-5	K	Ag	Au	963715-5	0.50-0.75	A=2.8, B=3.6, C=5.6, D=13.7, M=0.2	E=2, G=2.1, Dr=1	H=2.7, K=2.9, L=0.7, D150=1.6
5-963715-1	J	Ag	Sn	963715-1	0.50-0.75	A=2.8, B=3.6, C=5.6, D=13.7, M=0.2	E=2, G=2.1, Dr=1	H=2.7, K=2.9, L=0.7, D150=1.6
6-928999-5	T	Ag	Au-Gel	1-928999-5	0.25-0.35	A=2.5, B=3.6, C=5.6, D=13.7, M=0.2	E=1.8, G=1.8, Dr=0.8	H=2.3, K=2.3, L=0.6, D150=1.4
5-928999-6	S	Ag	Ag	928999-6	0.25-0.35	A=2.5, B=3.6, C=5.6, D=13.7, M=0.2	E=1.8, G=1.8, Dr=0.8	H=2.3, K=2.3, L=0.6, D150=1.4
5-928999-5	T	Ag	Au	928999-5	0.25-0.35	A=2.5, B=3.6, C=5.6, D=13.7, M=0.2	E=1.8, G=1.8, Dr=0.8	H=2.3, K=2.3, L=0.6, D150=1.4
5-928999-1	S	Ag	Sn	928999-1	0.25-0.35	A=2.5, B=3.6, C=5.6, D=13.7, M=0.2	E=1.8, G=1.8, Dr=0.8	H=2.3, K=2.3, L=0.6, D150=1.4
2141824-6	A	Ag	Ag	2141824-6	0.13 / 0.17	A=2.5, B=3.7, C=5.4, D=13.7, M=0	E=1.5, G=1.4	H=2, K=1.9, D150=1.1
2141824-5	A	Ag	Au	2141824-5	0.13 / 0.17	A=2.5, B=3.7, C=5.4, D=13.7, M=0	E=1.5, G=1.4	H=2, K=1.9, D150=1.1
2141824-1	A	Ag	Sn	2141824-1	0.13 / 0.17	A=2.5, B=3.7, C=5.4, D=13.7, M=0	E=1.5, G=1.4	H=2, K=1.9, D150=1.1
1355717-6	A	Ag	Ag	1355717-6	0.08-0.22	A=2.5, B=3.7, C=5.4, D=13.7, M=0	E=1.5, G=1.5, Dr=0.65	H=2, K=2, D150=1.1
1355717-5	C	Ag	Au	1355717-5	0.08-0.22	A=2.5, B=3.7, C=5.4, D=13.7, M=0	E=1.5, G=1.5, Dr=0.65	H=2, K=2, D150=1.1
1355717-1	C	Ag	Sn	1355717-1	0.08-0.22	A=2.5, B=3.7, C=5.4, D=13.7, M=0	E=1.5, G=1.5, Dr=0.65	H=2, K=2, D150=1.1

Bemerkungen

- Datumcode (Woche/Jahr z.B. KW 38/Jahr 2009) und TE-Revision (z.B. Rev.A) DATE CODE (WEEK/YEAR E.G. WEEK NUMBER 38/YEAR 2009) AND TE REVISION (E.G. REV. A)
- Passend zu Stiftkontakt siehe Zeichnung 929453 SUITABLE FOR PIN CONTACT SEE DRAWING 929453
- Einzelheiten der Ausfuehrung bleiben dem Hersteller ueberlassen DETAILS OF DESIGN ARE LEFT TO MANUFACTURER
- Nur fuer FLR-Leitung nach DIN 72551 Teil 6 FOR FLR-CONDUCTOR ACCORDING TO DIN 72551-6 ONLY
- 5 -
- 6 nicht fuer Neuanwendung NOT FOR NEW APPLICATION
- 7 zugverstaerkte Leitung nach LV 112-4 REINFORCED WIRE ACCORDING LV 112-4
- 8 Bei doppelt fallenden Werkzeugen wird die erste Ueberfeder mit einer Kennzeichnung "--" versehen WITH DOUBLE CUT DIES THE FIRST SPRING WILL BE PROVIDED WITH AN INDICATION "--"
- 9 Varianten von Design1 werden durch die entsprechenden Versionen von Design2 ersetzt VARIANTS OF DESIGN1 ARE SUPERSEDED BY CORRESPONDING VERSIONS OF DESIGN2



Bestell-Nr. Ausfuehrung ORDER NO. DESIGN 2	Bestell-Nr. Ausfuehrung ORDER NO. DESIGN 3	Rev.	Bestell-Nr. Ausfuehrung ORDER NO. DESIGN 1	Rev.	VERSION	DGB Wire Size Range mm ²	Oberflaeche SURFACE	Laenge LENGTH mm	Drahtcrimp WIRE CRIMP mm	Iso-crimp INSU-CRIMP mm	Gewicht WEIGHT g	Verarbeitung Spez. APPLICATION SPEC.	DGB Wire Size Range mm ²	Isolations Ø INSULATIN DIA. mm	fuer Kammer Ø3.45 FOR CAVITY DIA. 3.45 mm	Blindstopfen RUBBER PLUG	fuer Kammer Ø4 FOR CAVITY DIA. 4 mm	Blindstopfen RUBBER PLUG

THIS DRAWING IS A CONTROLLED DOCUMENT.				OWN: S. Garcia	DATE: 05JAN1999	TE TE Connectivity		
DIMENSIONS: mm				CHK: M. Bleicher	DATE: 05JAN1999			
TOLERANCES UNLESS OTHERWISE SPECIFIED:				APPV: R. Jetter	DATE: 13AUG2003			
				NAME: M. Bleicher	DATE: 13AUG2003			
MATERIAL: -						PRODUCT SPEC: 108-18030	APPLICATION SPEC: 114-18021 / 114-18025	RESTRICTED TO: -
WARRANTY: -						WEIGHT: -	SCALE: 10:1	SHEET 1 OF 1
Customer Draw: -						SCALE: 10:1	SHEET 1 OF 1	REV: C26

Mouser Electronics

Authorized Distributor

Click to View Pricing, Inventory, Delivery & Lifecycle Information:

[TE Connectivity:](#)

[5-928999-6](#)