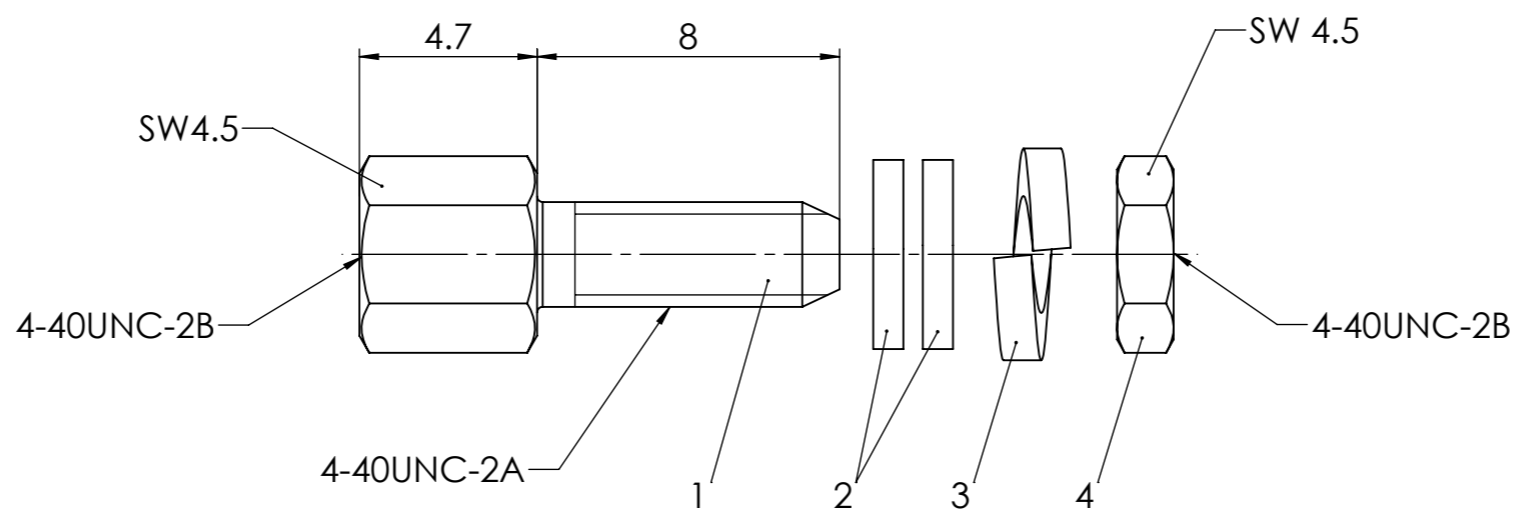


1	2	3	4	5	6	7	8		
MATERIAL NO.	Part No.	Material	Surface	1 Screw (quantity)	2 Washer (quantity)	3 Spring washer (quantity)	4 Nut (quantity)	Package	Notice
1731120014	F-GSCH1/5	Steel	zinc plated	2	4	2	2	in pairs	packed together in a bag
1727040093	F-GSCH1/5SN		tin plated	2	4	2	2	in pairs	packed together in a bag
1731121006	F-GSCH1/5S		zinc plated	max. 5000	max. 10000	max. 5000	max. 5000	bulk packed	individually packed in bags
1731120416	F-GSCH1/5SSN		tin plated	max. 5000	max. 10000	max. 5000	max. 5000	bulk packed	individually packed in bags
1731121042	F-GSCH1/5-K320		zinc plated	max. 5000	-	-	-	bulk packed	
1731120291	F-GSCH1/5-K320SN		tin plated	max. 5000	-	-	-	bulk packed	
1731121184	F-GSCH1/5-K660		zinc plated	max. 5000	-	max. 5000	-	bulk packed	individually packed in bags
1731120593	F-GSCH1/5-K1074		zinc plated	500	500	500	500	bulk packed	individually packed in bags



RoHS compliant
by exemption

COMMENT: ALL RIGHTS ARE RESERVED BY US FOR THIS DRAWING. WITHOUT OUR PRIOR CONSENT, IT MAY NEITHER BE DUPLICATED NOR MADE AVAILABLE TO A THIRD PARTY. AND IT ALSO MAY NOT BE IMPROPERLY USED BY THE RECEIVER, OR A THIRD PARTY.

SYMBOLS = 0 = 0 = 0 = 0 = 0 = 0 = 0 = 0 = 0 = 0	THIS DRAWING CONTAINS INFORMATION THAT IS PROPRIETARY TO MOLEX ELECTRONIC TECHNOLOGIES, LLC AND SHOULD NOT BE USED WITHOUT WRITTEN PERMISSION			
	DIMENSION UNITS mm	SCALE 2:1	MEASUREMENTS WITHOUT TOLERANCE ACC. TO ISO 2768-m	
			CURRENT REVISION DRWN: DRAWN BY MTeubel 15-02-2019 APPR: APPR BY gkrishandl 18-02-2019	PRODUCT CUSTOMER DRAWING
			INITIAL REVISION DRWN: DRAWN BY sschref 19-09-2012 APPR: APPR BY jmairse 27-04-2015	MATERIAL NUMBER see table
			REV. CH.-NO.	REVISION 2
			REPLACEMENT FOR:	SHEET NUMBER 1 OF 1
			THIRD ANGLE PROJECTION 	CUSTOMER GENERAL MARKET
			DRAWING A3-SIZE	DOCUMENT NUMBER F-GSCH