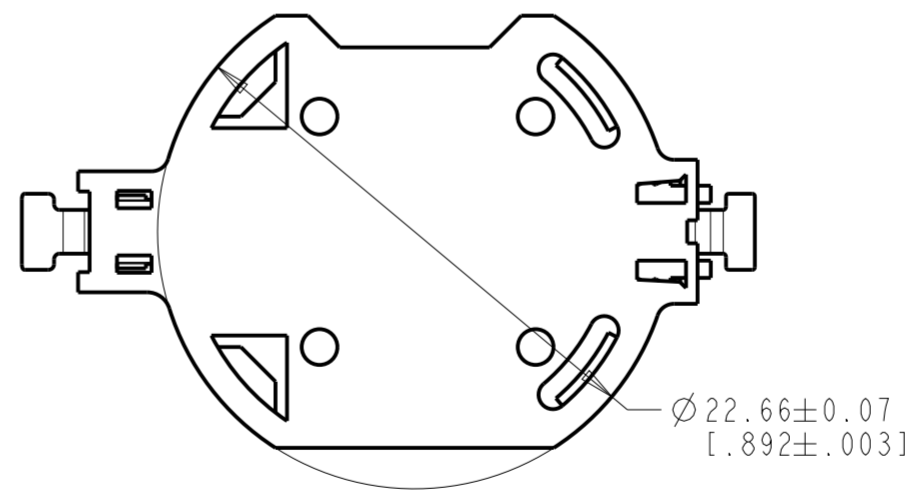
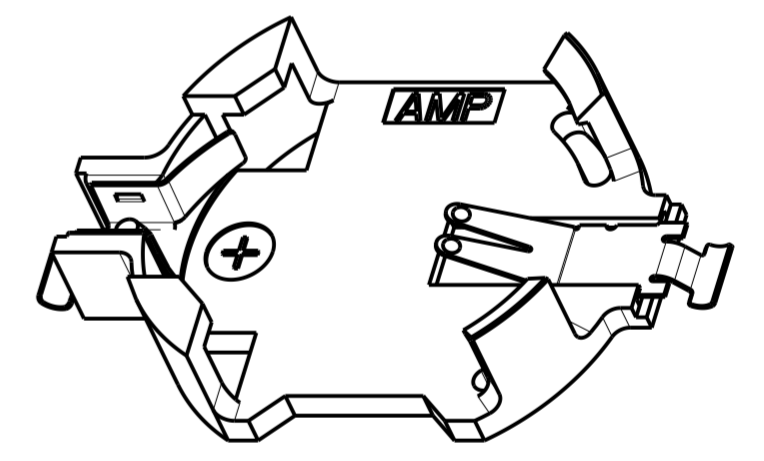
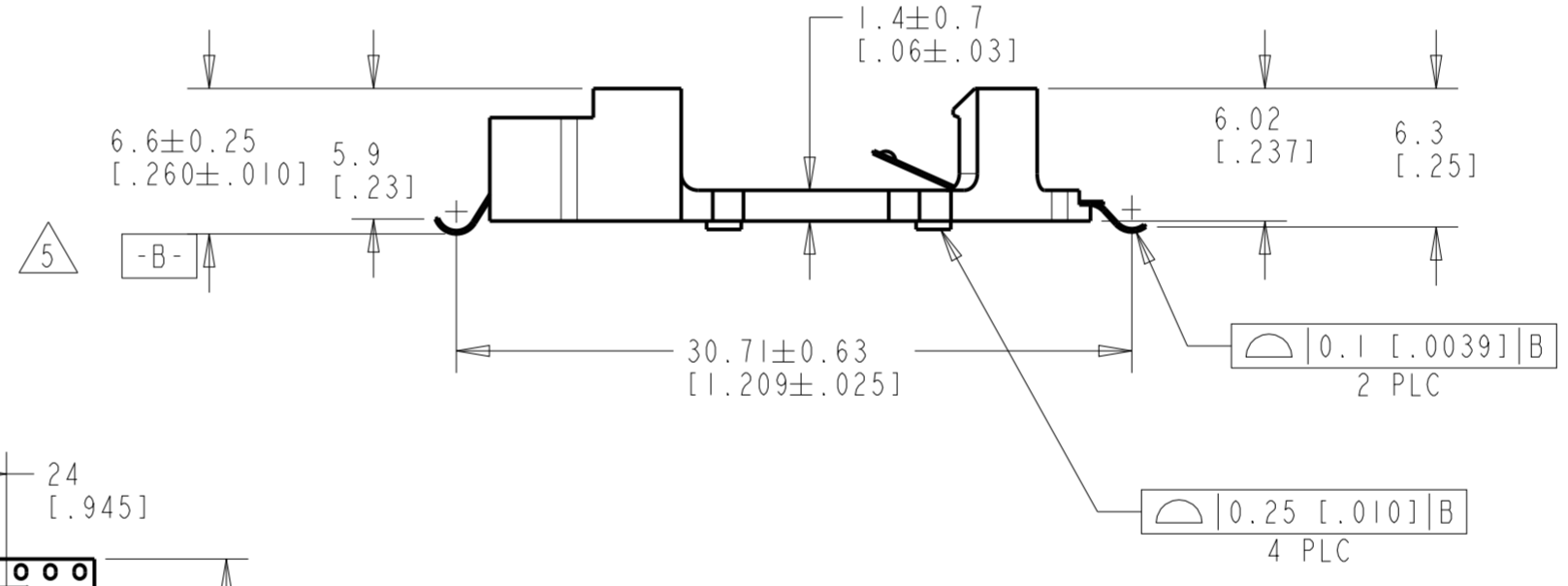
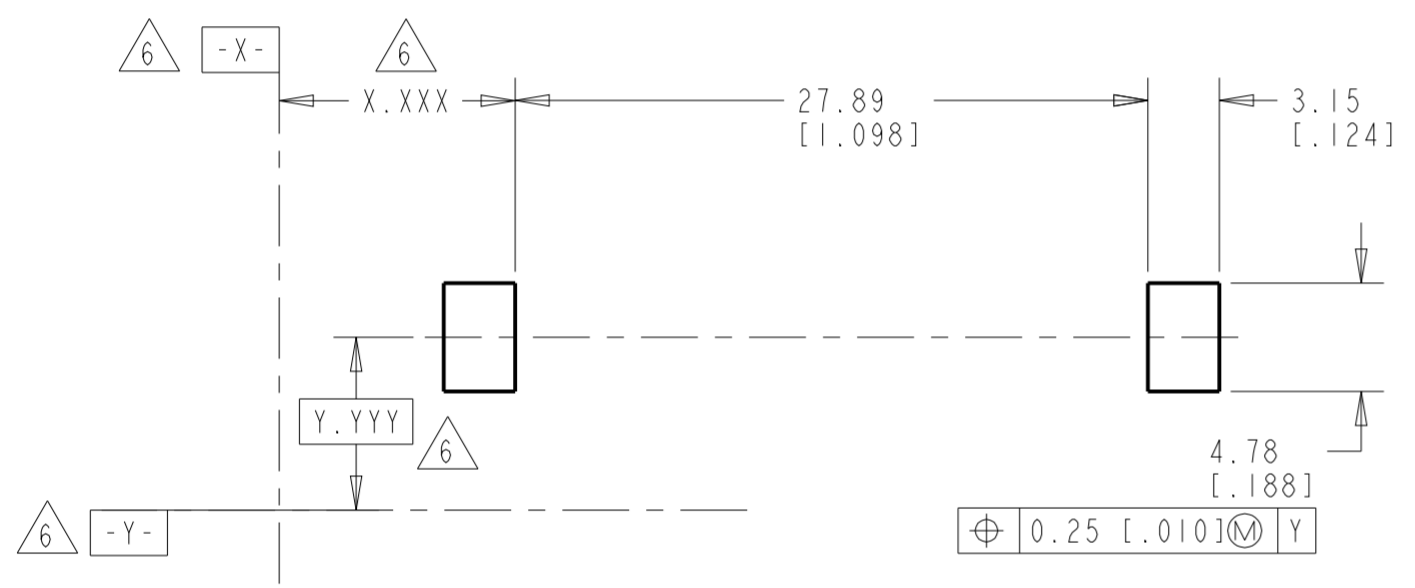
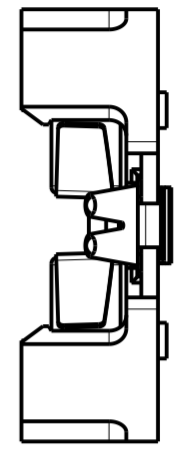
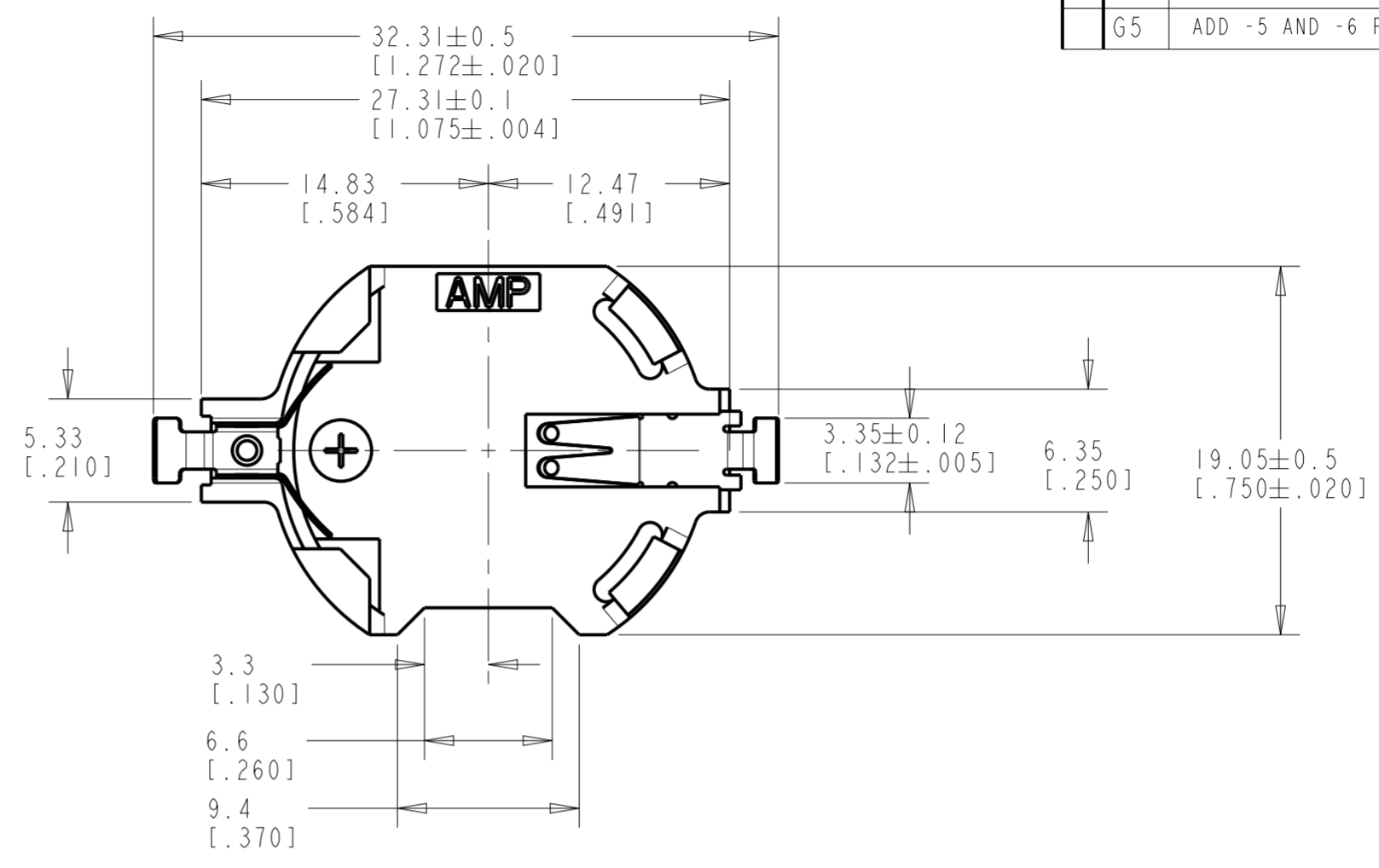
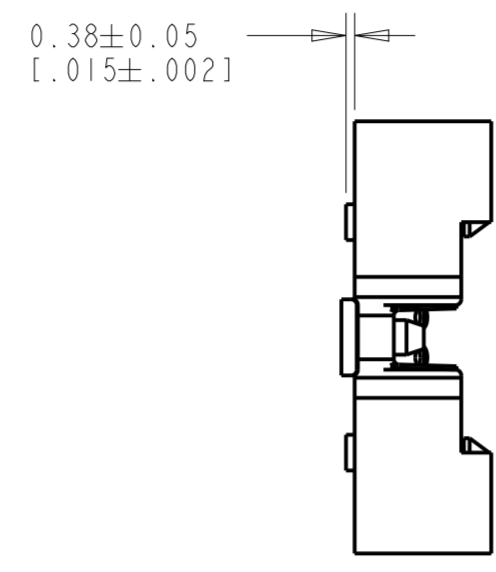


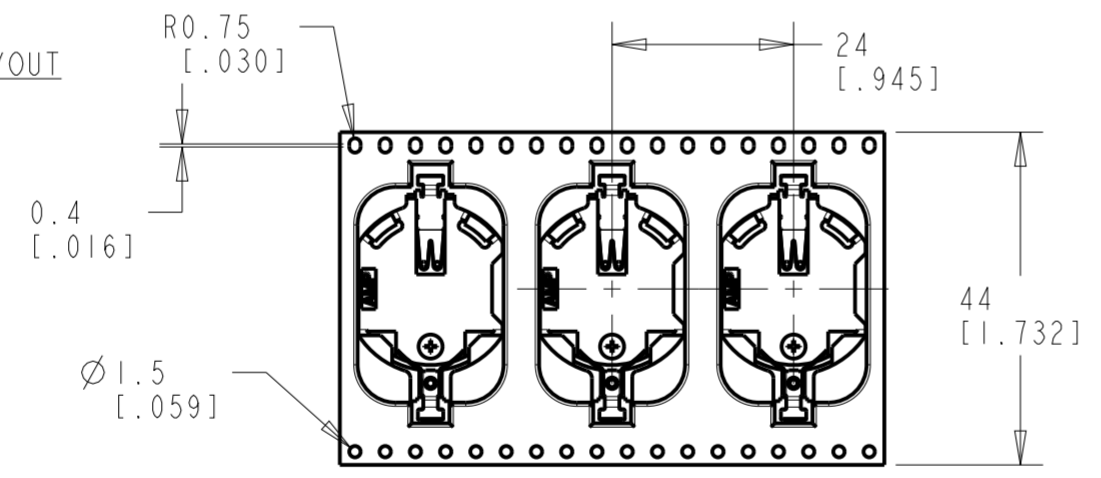
THIS DRAWING IS UNPUBLISHED. RELEASED FOR PUBLICATION  
 COPYRIGHT copyright dbTe- ALL RIGHTS RESERVED.

REVISIONS				
P	LTR	DESCRIPTION	DATE	APVD
G2		ADD P/N FOR HUAWEI (ECO-19-000403)	13DEC2018	K.G WK.H
G3		UPDATE PL THICKNESS FOR 796136-3	07AUG2019	K.G W.H
G4		REVISED PER ECO-19-017009	08NOV2019	K.G W.H
G5		ADD -5 AND -6 PER ECO-20-011106	29APR2020	K.G W.H

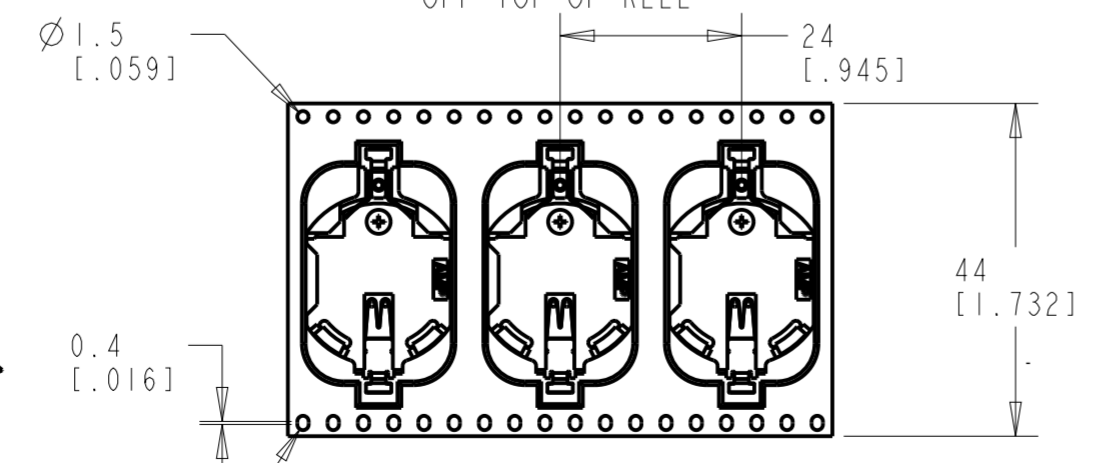
- 1 HOUSING: HIGH TEMPERATURE 94V-0 RATED, LCP, COLOR NATURAL.  
CONTACTS: PHOSPHOR BRONZE.
- 2 CONTACTS: 0.00200-0.00400[.000080-.000157] TIN.  
3. CONNECTOR ACCEPTS BATTERY CR2032.
- 4. PACKAGING: TAPE AND REEL.  
TAPE & SPROCKET HOLES DIMENSIONS PER EIA-481-3 WITH 330.0 [13.0] DIA. CARDBOARD SIDES
- 5 DATUM **-B-** IS ESTABLISHED BY ANY CONTACT OR HOUSING SURFACES CONTACTING A REFERENCE PLANE.
- 6 DATUMS AND DIMENSIONS ESTABLISHED BY CUSTOMER.
- 7 CONTACT FINISHED:  
Ni 0.00125[.000050] MIN OVER ALL  
TIN 0.00254[.000100] MIN OVER ALL.
- 8 CONTACT FINISHED:  
Ni 0.00125[.000050] MIN OVER ALL  
TIN 0.00254[.000100] MIN ON SOLDER AREA.  
Au PLATING 0.000125[.000005] MIN ON CONTACT AREA.



RECOMMENDED PC BOARD LAYOUT

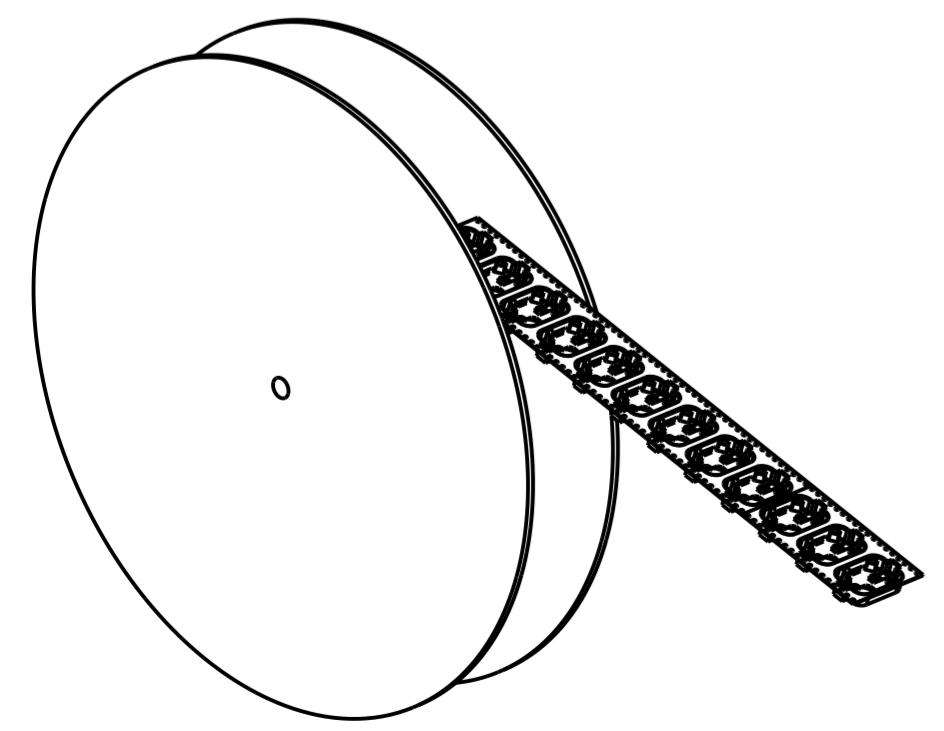


DIRECTION FOR PART NUMBER 796136-1, -3, -5  
 DIRECTION OF FEED OFF TOP OF REEL



DIRECTION FOR PART NUMBER 796136-2, -4, -6  
 DIRECTION OF FEED OFF TOP OF REEL

796136-5 AND 796136-6	8
796136-3 AND 796136-4	7
796136-1 AND 796136-2	2
PART NUMBER	



THIS DRAWING IS A CONTROLLED DOCUMENT.		DWN J.GERACE 13AUG99	TE Connectivity
DIMENSIONS: mm [INCHES]		CHK K.BENJAMIN 13AUG99	
TOLERANCES UNLESS OTHERWISE SPECIFIED:		APVD K.BENJAMIN 13AUG99	
0 PLC ± 1 PLC ±0.5 [.02] 2 PLC ±0.13 [.005] 3 PLC ±0.050 [.0020] 4 PLC ± ANGLES ±5 FINISH		NAME ASSEMBLY BATTERY CONNECTOR, SURFACE MOUNT, TOP LOAD PRODUCT SPEC 108-1691 APPLICATION SPEC WEIGHT SCALE 3:1 SHEET OF REV G5	
MATERIAL	1	CUSTOMER DRAWING	RESTRICTED TO