

173645-2 ✓ ACTIVE

AMP | Multilock Connector System

TE Internal #: 173645-2

Automotive Terminals, Tab, Mating Tab Width 1.8 mm [.071 in], Tab Thickness .64 mm [.025 in], 20 – 16 AWG Wire Size, Multilock Connector System

[View on TE.com >](#)



Terminals & Splices > Automotive Terminals > MULTILOCK, RECEPTACLE AND TAB



Terminal Type: **Tab**

Mating Tab Width: **1.8 mm [.071 in]**

Mating Tab Thickness: **.64 mm [.025 in]**

Terminal Transmits: **0 – 24 A (Low Power)**

Wire Size: **20 – 16 AWG**

[All MULTILOCK, RECEPTACLE AND TAB \(110\)](#)

## Features

### Product Type Features

|                         |            |
|-------------------------|------------|
| Sealable                | No         |
| Primary Locking Feature | Clean Body |

### Contact Features

|  |                  |
|--|------------------|
| Contact Size                                   | 1.8mm            |
| Contact Fabrication                            | Stamped & Formed |
| Wire Contact Termination Area Plating Material | Tin              |
| Typical Current Rating                         | 14 A             |
| Crimp Type                                     | F-Crimp          |
| Terminal Type                                  | Tab              |
| Mating Tab Width                               | 1.8 mm[.071 in]  |
| Mating Tab Thickness                           | .64 mm[.025 in]  |
| Interface Plating                              | Tin (Sn)         |

### Termination Features

|                                    |       |
|------------------------------------|-------|
| Termination Method to Wire & Cable | Crimp |
| Product Terminates To              | Wire  |

### Dimensions



|                                      |  |
|--------------------------------------|--|
| Compatible Insulation Diameter Range | 2 – 2.6 mm [.079 – .102 in]            |
| Wire Size                            | .5 – 1.25 mm <sup>2</sup>              |
| Wire Size Search                     | 16 AWG, 17 AWG, 18 AWG, 19 AWG, 20 AWG |

### Usage Conditions

|                             |   |
|-----------------------------|---|
| Insulation Option           | Uninsulated   |
| Operating Temperature (Max) | 80 °C, 85 °C, 90 °C, 100 °C, 105 °C [176 °F] [185 °F][194 °F][212 °F][221 °F] |
| Operating Temperature Range | -30 – 105 °C [-22 – 221 °F]   |

### Packaging Features

|                    |      |
|--------------------|------|
| Packaging Quantity | 3000 |
| Packaging Method   | Reel |

### Other

|                    |                      |
|--------------------|----------------------|
| Terminal Transmits | 0 – 24 A (Low Power) |
|--------------------|----------------------|

## Product Compliance

[For compliance documentation, visit the product page on TE.com>](#)

|   |   |
|---|---|
| EU RoHS Directive 2011/65/EU                  | Compliant   |
| EU ELV Directive 2000/53/EC                   | Compliant   |
| China RoHS 2 Directive MIIT Order No 32, 2016 | No Restricted Materials Above Threshold   |
| EU REACH Regulation (EC) No. 1907/2006        | Current ECHA Candidate List: JAN 2024 (240)<br>Candidate List Declared Against: JAN 2024 (240)<br>Does not contain REACH SVHC |
| Halogen Content                               | Low Halogen - Br, Cl, F, I < 900 ppm per homogenous material. Also BFR/CFR/PVC Free   |
| Solder Process Capability                     | Not applicable for solder process capability  |

#### Product Compliance Disclaimer

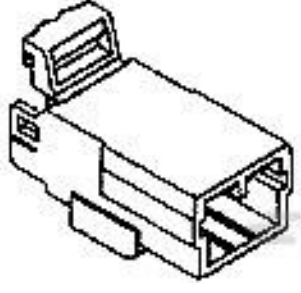
This information is provided based on reasonable inquiry of our suppliers and represents our current actual knowledge based on the information they provided. This information is subject to change. The part numbers that TE has identified as EU RoHS compliant have a maximum concentration of 0.1% by weight in homogenous materials for lead, hexavalent chromium, mercury, PBB, PBDE, DBP, BBP, DEHP, DIBP, and 0.01% for cadmium, or qualify for an exemption to these limits as defined in the Annexes of Directive 2011/65/EU (RoHS2). Finished electrical and electronic equipment products will be CE marked as required by Directive 2011/65/EU. Components may not be CE marked. Additionally, the part numbers that TE has identified as EU ELV compliant have a maximum concentration of 0.1% by weight in homogenous materials for lead, hexavalent chromium, and mercury, and 0.01% for cadmium, or qualify for an exemption to these limits as defined in the Annexes of Directive 2000/53/EC (ELV). Regarding the REACH Regulation, the information TE provides on SVHC in articles for this part number is based on the latest European Chemicals Agency (ECHA) 'Guidance on

requirements for substances in articles' posted at this URL: <https://echa.europa.eu/guidance-documents/guidance-on-reach>

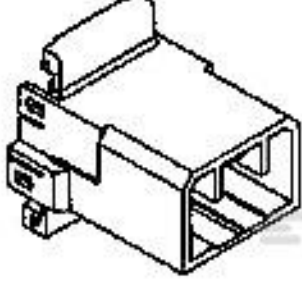
## Compatible Parts



TE Part # CAT-M9194-CH8172  
MULTILOCK, CONNECTOR HOUSING



TE Part # 174930-1  
070 MLC W-W CAP HSG 6P SGL



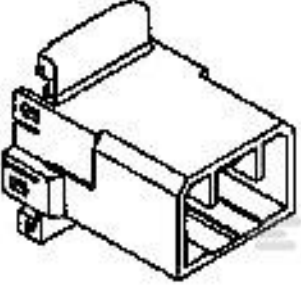
TE Part # 174936-1  
070 MLC W-W CAP HSG 20P



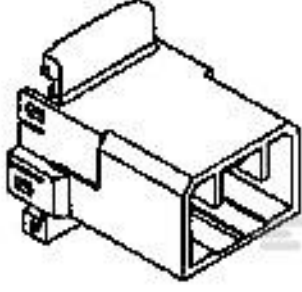
TE Part # 91573-1  
CCII 070 SERIES REC TAB 20-16 ASSY



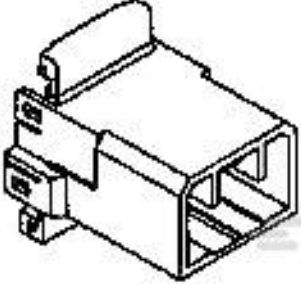
TE Part # 755430-2  
EXT,TOOL ASSY



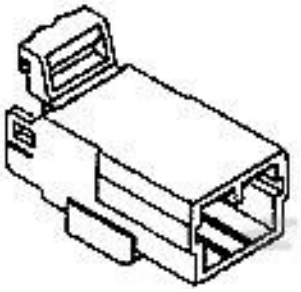
TE Part # 174933-1  
070 MLC W-W CAP HSG 12P



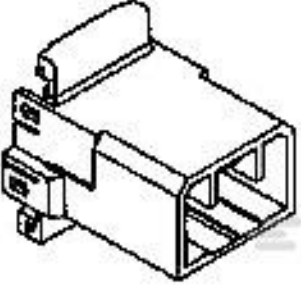
TE Part # 174935-1  
070 MLC W-W CAP HSG 18P



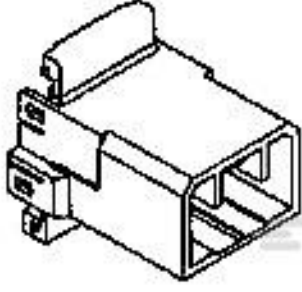
TE Part # 174934-1  
070 MLC W-W CAP HSG 14P



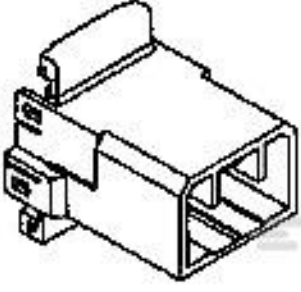
TE Part # 174928-2  
070 MLC W-W CAP HSG 3P BLACK



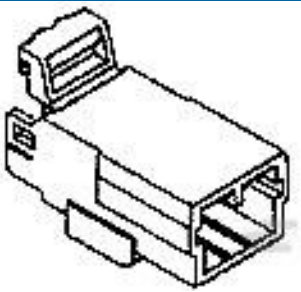
TE Part # 175657-1  
070 MLC W-W CAP HSG 6P



TE Part # 174931-1  
070 MLC W-W CAP HSG 8P NATURAL



TE Part # 174932-1  
070 MLC W-W CAP HSG 10P



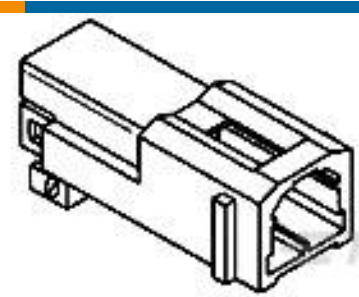
TE Part # 174929-2  
070 MLC W-W CAP HSG 4P B



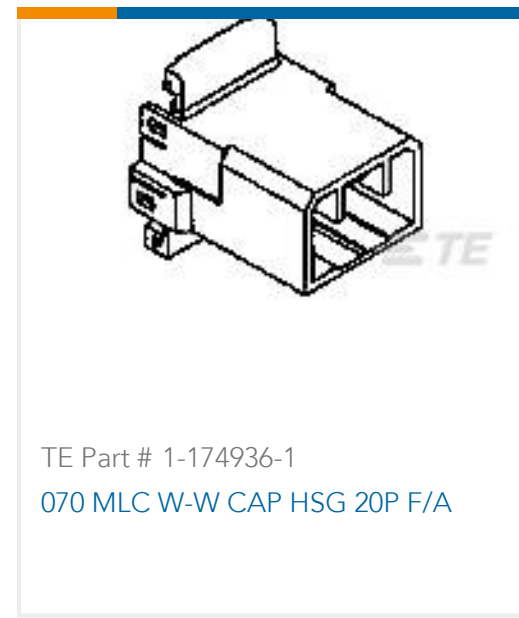
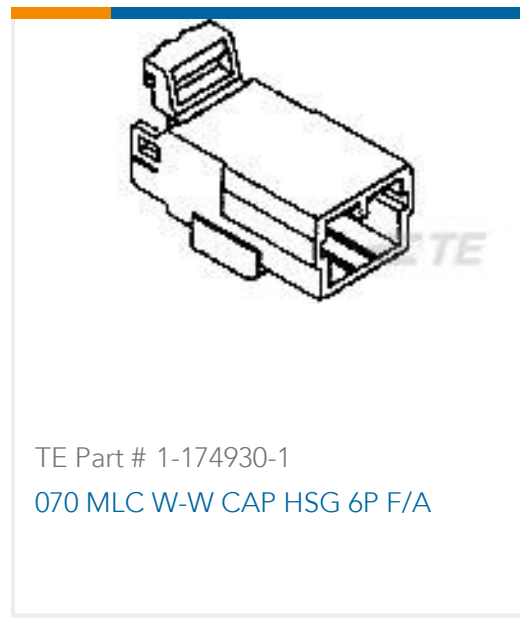
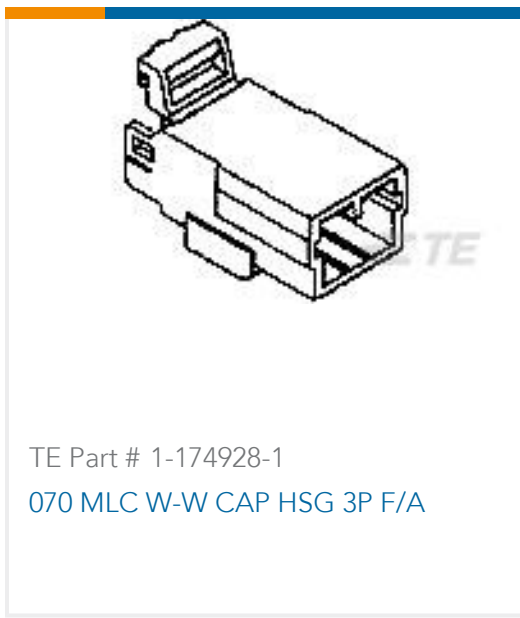
TE Part # 174460-2  
070 MULTILOCK 2P CAP HSG



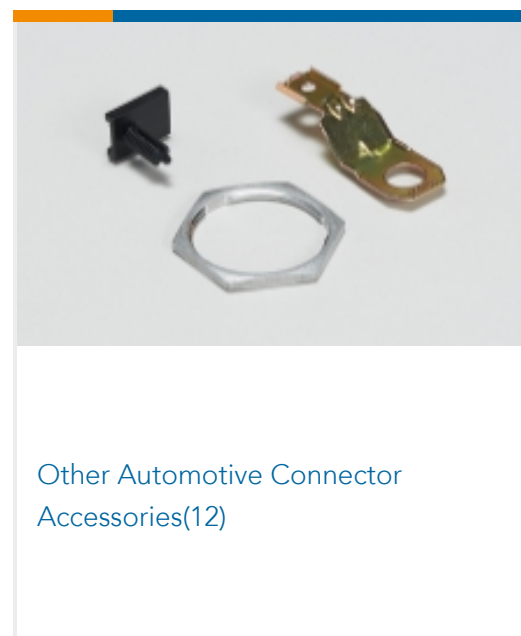
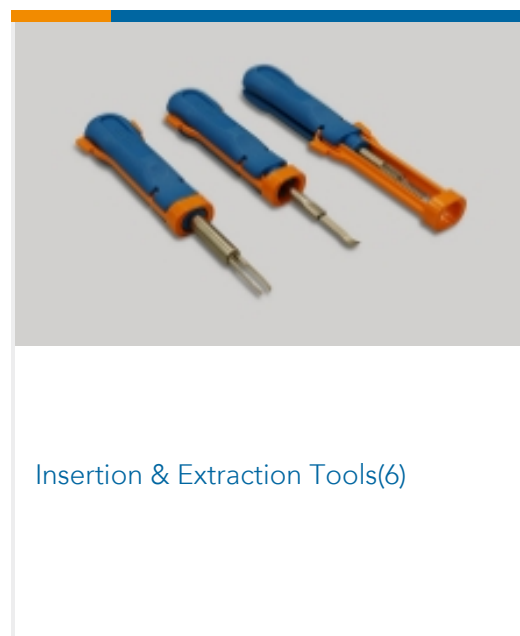
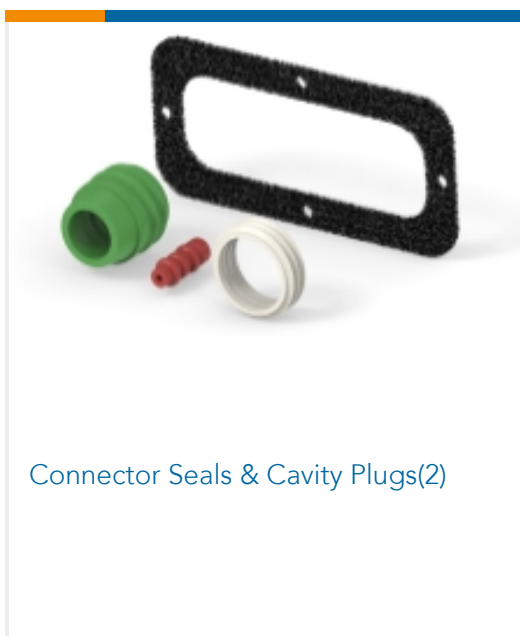
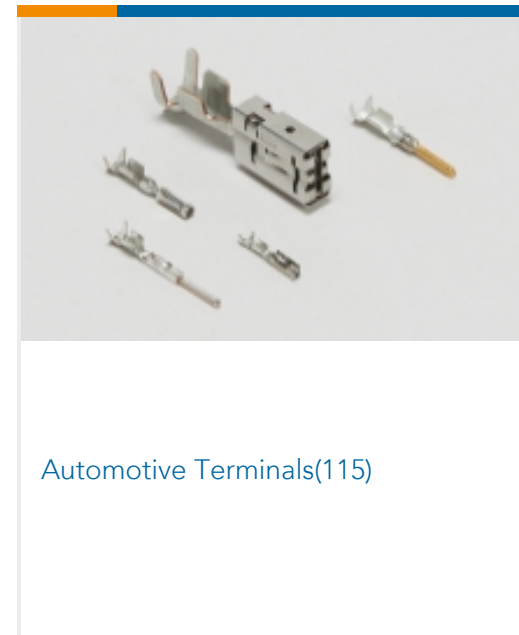
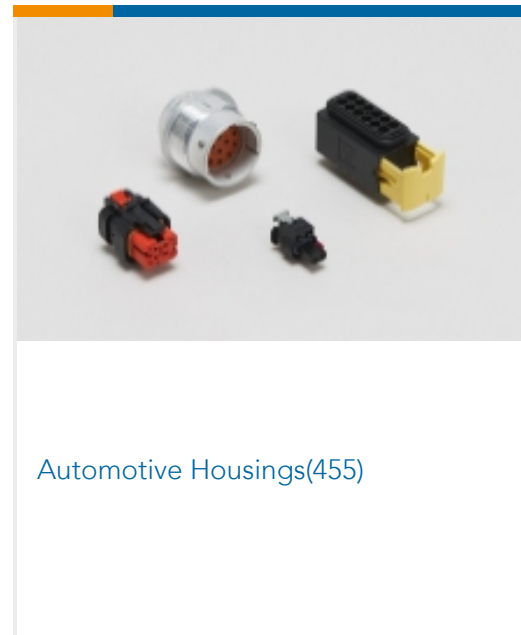
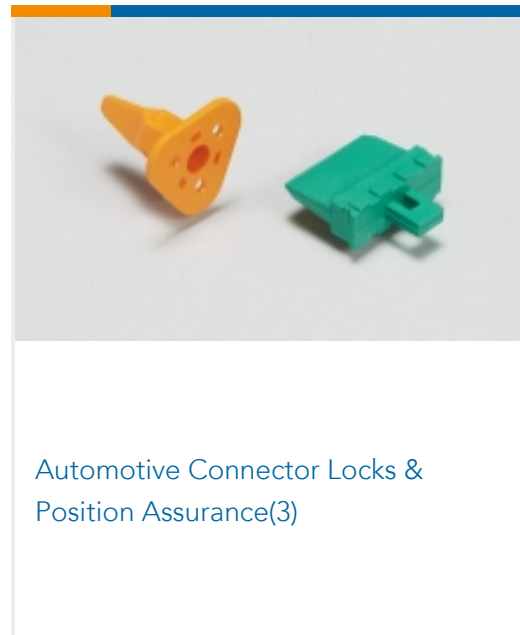
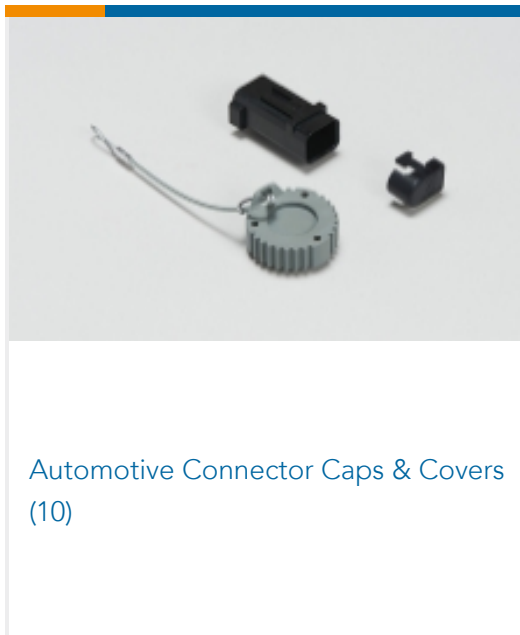
TE Part # 174928-1  
070 MLC W-W CAP HSG 3P NATURAL



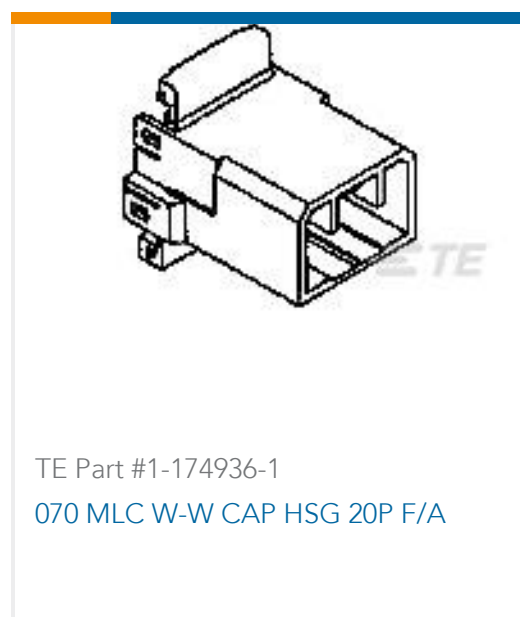
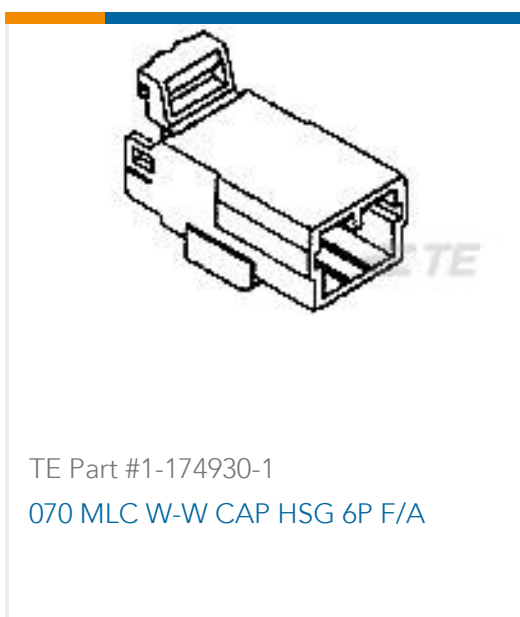
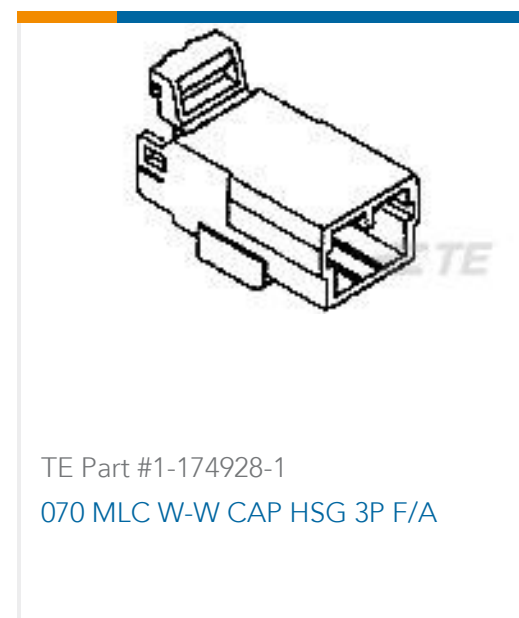
TE Part # 174460-1  
070 MULTILOCK 2P CAP HSG



## Also in the Series | Multilock Connector System



## Customers Also Bought





## Documents

### Product Drawings

#### 070 MLC TAB CON 20-16

Japanese

---

### CAD Files

#### 3D PDF

3D

#### Customer View Model

[ENG\\_CVM\\_CVM\\_173645-2\\_L.2d\\_dxf.zip](#)

English

#### Customer View Model

[ENG\\_CVM\\_CVM\\_173645-2\\_L.3d\\_igs.zip](#)

English

#### Customer View Model

[ENG\\_CVM\\_CVM\\_173645-2\\_L.3d\\_stp.zip](#)

English

#### Customer View Model

[ENG\\_CVM\\_173645-2\\_E1.3d\\_igs.zip](#)

English

#### Customer View Model

[ENG\\_CVM\\_173645-2\\_E1.3d\\_stp.zip](#)

English

#### Customer View Model

[ENG\\_CVM\\_173645-2\\_E1.2d\\_dxf.zip](#)

English

#### 3D PDF

English

By downloading the CAD file I accept and agree to the [Terms and Conditions](#) of use.

---

### Datasheets & Catalog Pages

#### MULTILOCK Connector System

English

---

### Product Specifications

#### Application Specification

English

---

### Instruction Sheets

#### Instruction Sheet (non U.S.)

English

#### AMP Extraction Tool P/N 755430-2 for Extraction 070 Series Cont.

English