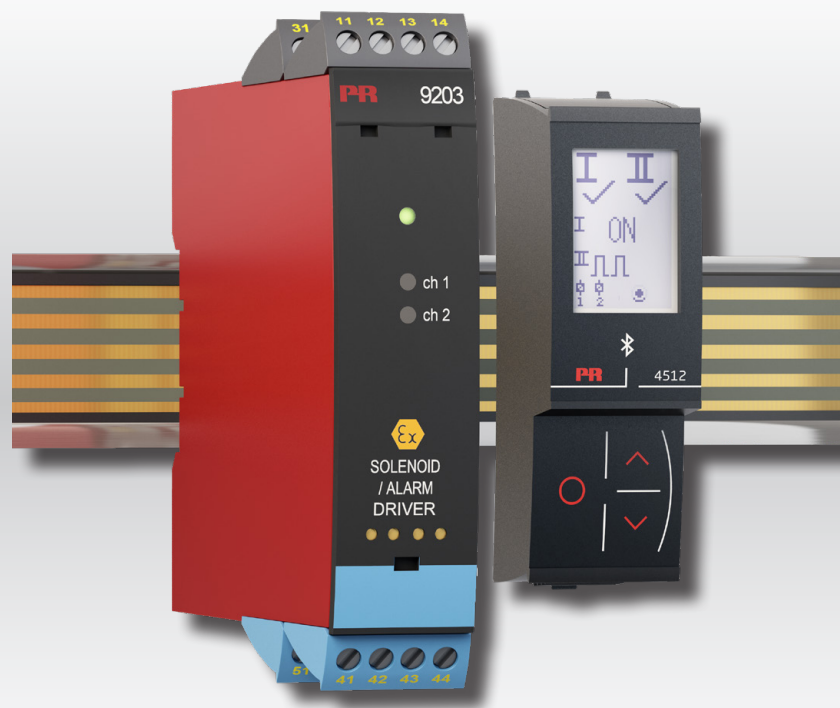


PERFORMANCE
MADE
SMARTER

Product manual

9203

Solenoid / alarm driver



Segurança
INMETRO



TEMPERATURE | I.S. INTERFACES | COMMUNICATION INTERFACES | MULTIFUNCTIONAL | ISOLATION | DISPLAY

No. 9203V111-UK
Product version: 9203-003

PR
electronics

6 Product Pillars

to meet your every need

Individually outstanding, unrivalled in combination

With our innovative, patented technologies, we make signal conditioning smarter and simpler. Our portfolio is composed of six product areas, where we offer a wide range of analog and digital devices covering over a thousand applications in industrial and factory automation. All our products comply with or surpass the highest industry standards, ensuring reliability in even the harshest of environments and have a 5-year warranty for greater peace of mind.



Temperature

Our range of temperature transmitters and sensors provides the highest level of signal integrity from the measurement point to your control system. You can convert industrial process temperature signals to analog, bus or digital communications using a highly reliable point-to-point solution with a fast response time, automatic self-calibration, sensor error detection, low drift, and top EMC performance in any environment.



I.S. Interface

We deliver the safest signals by validating our products against the toughest safety standards. Through our commitment to innovation, we have made pioneering achievements in developing I.S. interfaces with SIL 2 Full Assessment that are both efficient and cost-effective. Our comprehensive range of analog and digital intrinsically safe isolation barriers offers multifunctional inputs and outputs, making PR an easy-to-implement site standard. Our backplanes further simplify large installations and provide seamless integration to standard DCS systems.



Communication

We provide inexpensive, easy-to-use, future-ready communication interfaces that can access your PR installed base of products. All the interfaces are detachable, have a built-in display for readout of process values and diagnostics, and can be configured via push-buttons. Product specific functionality includes communication via Modbus and Bluetooth and remote access using our PR Process Supervisor (PPS) application, available for iOS and Android.



Multifunction

Our unique range of single devices covering multiple applications is easily deployable as your site standard. Having one variant that applies to a broad range of applications can reduce your installation time and training, and greatly simplify spare parts management at your facilities. Our devices are designed for long-term signal accuracy, low power consumption, immunity to electrical noise and simple programming.



Isolation

Our compact, fast, high-quality 6 mm isolators are based on microprocessor technology to provide exceptional performance and EMC-immunity for dedicated applications at a very low total cost of ownership. They can be stacked both vertically and horizontally with no air gap separation between units required.



Display

Our display range is characterized by its flexibility and stability. The devices meet nearly every demand for display readout of process signals and have universal input and power supply capabilities. They provide a real-time measurement of your process value no matter the industry and are engineered to provide a user-friendly and reliable relay of information, even in demanding environments.

Solenoid / alarm driver

9203

Table of contents

Warning	4
Symbol identification	4
Safety instructions	4
Marking	5
How to demount system 9000	6
Mounting the PR 4500 communication interfaces	6
Advanced features	7
Application	7
Technical characteristics	7
Applications - 9203Axxxx	8
Applications - 9203Bxxxx	9
Order	10
Input type selector	10
Accessories	10
Technical data	10
Output loads	12
Visualisation in PR 4500 of hardware / software error	15
Connections	16
Block diagram	17
Signal error indications without display front	18
Configuration / operating the function keys	19
Routing diagram	20
Routing diagram, advanced settings (ADV.SET)	21
Help text overview	22
IECEX Installation Drawing	23
ATEX / UKEX Installation Drawing	27
FM Installation Drawing	31
UL Installation Drawing	34
Desenho de instalação INMETRO	40
KCs IECEX Installation Drawing	43
Document history	47

Warning



The following operations should only be carried out on a disconnected device and under ESD-safe conditions:

- General mounting, wire connection and disconnection.
- Troubleshooting the device.

Repair of the device and replacement of circuit breakers must be done by PR electronics A/S only.

Warning



Do not open the front plate of the device as this will cause damage to the connector for the display / programming front PR 4500.

This device contains no DIP-switches or jumpers.

Symbol identification



Triangle with an exclamation mark: Warning/demand. Potentially lethal situations. Read the manual before installation and commissioning of the device in order to avoid incidents that could lead to personal injury or mechanical damage.



The CE mark proves the compliance of the device with the essential requirements of the EU directives.



The UKCA mark proves the compliance of the device with the essential requirements of the UK regulations.



The double insulation symbol shows that the device is protected by double or reinforced insulation.



Ex devices have been approved acc. to the ATEX directive for use in connection with installations in explosive areas. See installation drawings in appendix.

Safety instructions

Definitions

Hazardous voltages have been defined as the ranges: 75 to 1500 Volt DC, and 50 to 1000 Volt AC.

Technicians are qualified persons educated or trained to mount, operate, and also trouble-shoot technically correct and in accordance with safety regulations.

Operators, being familiar with the contents of this manual, adjust and operate the knobs or potentiometers during normal operation.

Receipt and unpacking

Unpack the device without damaging it and check whether the device type corresponds to the one ordered. The packing should always follow the device until this has been permanently mounted.

Environment

Avoid direct sun light, dust, high temperatures, mechanical vibrations and shock, and rain and heavy moisture. If necessary, heating in excess of the stated limits for ambient temperatures should be avoided by way of ventilation.

The device must be installed in pollution degree 2 or better.

The device is designed to be safe at least under an altitude up to 2 000 m.

The device is designed for indoor use.

Mounting

Only technicians, who are familiar with the technical terms, warnings, and instructions in the manual and who are able to follow these, should connect the device. Should there be any doubt as to the correct handling of the device, please contact your local distributor or, alternatively,

PR electronics A/S
www.prelectronics.com

The use of stranded wires is not permitted for mains wiring except when wires are fitted with cable ends.

Stranded wire should be installed with an insulation stripping length of 5 mm or via a suitable insulated terminal such as a bootlace ferrule.

Descriptions of input / output and supply connections are shown in the block diagram and on the side label.

The device is provided with field wiring terminals and shall be supplied from a Power Supply having double / reinforced insulation. A power switch shall be easily accessible and close to the device. The power switch shall be marked as the disconnecting unit for the device.

For installation on Power Rail 9400 the power is supplied by Power Control Unit 9410.

Year of manufacture can be taken from the first two digits in the serial number.

Calibration and adjustment

During calibration and adjustment, the measuring and connection of external voltages must be carried out according to the specifications of this manual. The technician must use tools and instruments that are safe to use.

Normal operation

Operators are only allowed to adjust and operate devices that are safely fixed in panels, etc., thus avoiding the danger of personal injury and damage. This means there is no electrical shock hazard, and the device is easily accessible.

Cleaning

When disconnected, the device may be cleaned with a cloth moistened with distilled water.

Liability

To the extent the instructions in this manual are not strictly observed, the customer cannot advance a demand against PR electronics A/S that would otherwise exist according to the concluded sales agreement.

9203B1B

SN: 123456789

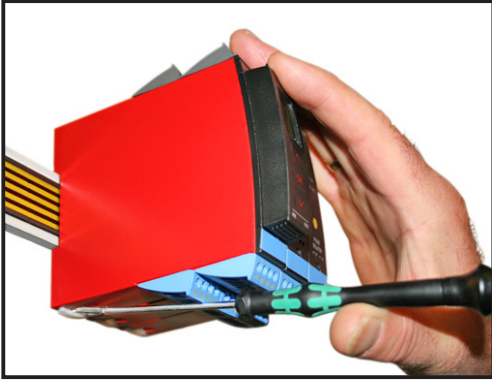
TAG: Tag1234

PR PR electronics A/S, Lerbakken 10, 8410 Roende pr@prelectronics.com, www.prelectronics.com Phone +45 8637 2877, Denmark.		LabelRevision
41: Output ch1 Ex GND 42: Output ch1 Ex 1 + 43: Output ch1 Ex 2 + 44: Output ch1 Ex 3 +	31: Supply - 19.2 to 31.2 VDC 32: Supply + I_{sc} max. 3.5 W 33: Status Relay N.C. 34: Status Relay N.C.	
51: Output ch2 Ex GND 52: Output ch2 Ex 1 + 53: Output ch2 Ex 2 + 54: Output ch2 Ex 3 +	11: Input ch1 In - 12: Input ch1 In + 13: Input ch2 In - 14: Input ch2 In +	
<div style="display: flex; justify-content: space-between;"> <div style="width: 45%;"> <p>Ex (I) G [Ex Ia Ga] IIC/B/IIA DEKRA 21UKEX0181X (II) D [Ex Ia Da] IIC KEIMA 07ATEX 0147 X (M) [Ex Ia Ma] I IIBG Ex ec nC IIC T4 Gc DEKRA 21UKEX0181X IICEx nA nC [Ex Ia] IIC T4 Gc KEIMA 07ATEX 0147 X Install: 9203B01</p> </div> <div style="width: 45%;"> <p>[Ex Ia Ga] IIC/B/IIA Install: 9203B01 [Ex Ia Da] IIC [Ex Ia Ma] I Ex ec nC IIC T4 Gc IICEx nA nC IIC T4 Gc IECEx nEM 08.0001 X</p> </div> </div>		
<p>FM Install in CL I DR2 GP A-D T4 Provides 10 circuits to CL I-B DIV 10 GP A-G or CL I Z+2 AExIEx nA nC [Ex Ia] IIC T4 Gc FM19US0007X FM19UCA0030X Install: 9203B01</p>		
<p>Seurancas [Ex Ia Ga] IIC/B/IIA Ex nA nC IIC T4 Gc [Ex Ia Da] IIC [Ex Ia Ma] I DEKRA DEKRA 16.0005X Install: 9203B01</p>		
<p>Ex ENEC [Ex Ia Ga] IIC/B/IIA ver Ex nA nC IIC T4 Gc X Ver: 9203-003</p>		
<p>ClassNK APPROVED -20°C ≤ Ta ≤ +60°C</p>		
SOLENOID / ALARM DRIVER 9203		

Marking

When this product has been installed as Ex ia or / and ec, use a permanent marker in the appropriate box to indicate the type of installation on the label.

How to demount system 9000



Picture 1:

By lifting the bottom lock, the device is detached from the DIN rail.

Mounting the PR 4500 communication interfaces

- 1: Insert the tabs of the PR 4500 into the slots at the top of the device.
- 2: Hinge the PR 4500 down until it snaps into place.

Demounting of the PR 4500 communication interfaces

- 3: Push the release button on the bottom of the PR 4500 and hinge the PR 4500 out and up.
- 4: With the PR 4500 hinged up, remove from the slots at the top of the device.



Solenoid / alarm driver 9203

- Universal driver for solenoids, acoustic alarms and LEDs
- Extended self-diagnostics
- 1 or 2 channels
- Can be supplied separately or installed on power rail, PR 9400
- SIL 2-certified via Full Assessment

Advanced features

- The 9203Bxxxx features three built-in Ex barriers.
- Two hardware versions make it possible to choose either Low (35 mA) or High (60 mA) current output.
- Configuration and monitoring by way of detachable display front (PR 4500).
- Selection of direct or inverted function for each channel via PR 4500 and the possibility of reducing the output current to the hazardous area to suit the application.
- Optional monitoring of the output current to the hazardous area by way of PR 4500.
- Optional redundant supply via power rail and/or separate supply.

Application

- The 9203Axxxx can be mounted in the safe area and in zone 2 / Class 1, Division 2, Group A, B, C, D.
- The 9203Bxxxx can be mounted in the safe area or in zone 2 / Class 1, Division 2 and transmit signals to zone 0, 1, 2 and zone 20, 21, 22 including M1 mining / Class I/II/III, Div. 1, Gr. A-G.
- Driver for the control of ON / OFF solenoids, acoustic alarms and LEDs mounted in safe or hazardous area.
- Monitoring of internal error events via the individual status relay and/or a collective electronic signal via the power rail.
- The 9203 has been designed, developed and certified for use in SIL 2 applications according to the requirements of IEC 61508.
- Suitable for the use in systems up to Performance Level "d" according to ISO-13849.

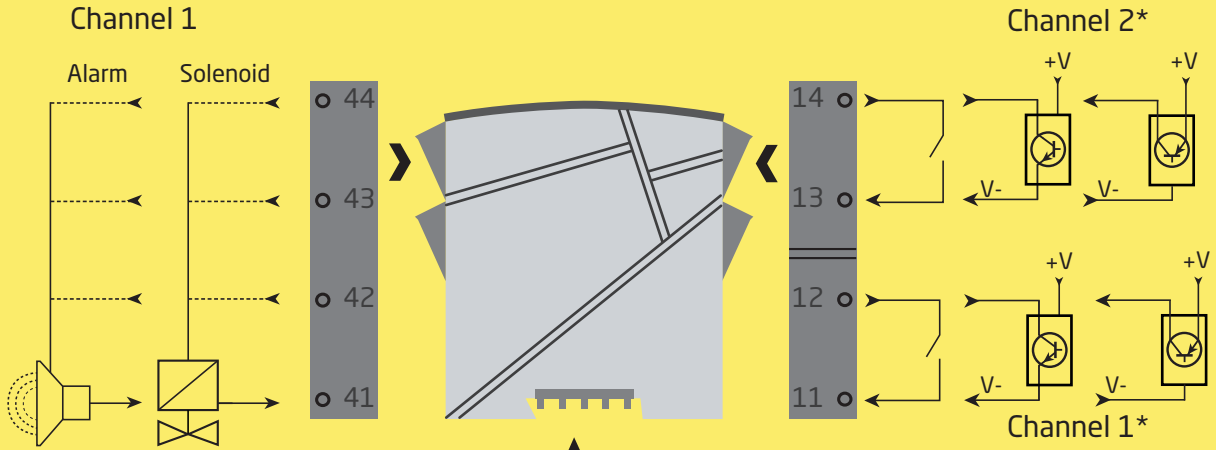
Technical characteristics

- 1 green and 2 yellow/red front LEDs indicate operation status and malfunction.
- 2.6 kVAC galvanic isolation between input, output and supply.

Applications - 9203Axxxx

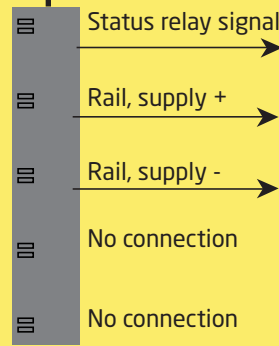
Output signals:

Input signals:

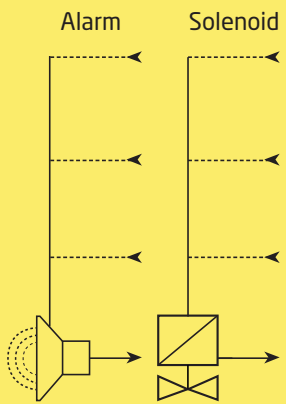


* For full overview of input connections, refer to page 16.

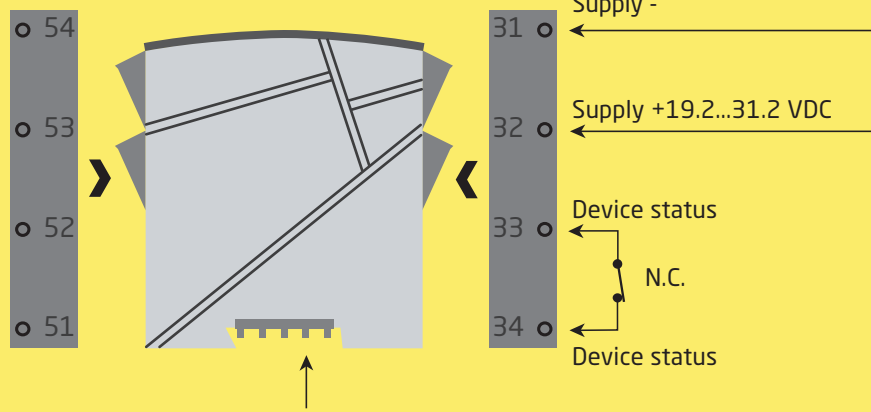
Power rail



Channel 2



Power connection:



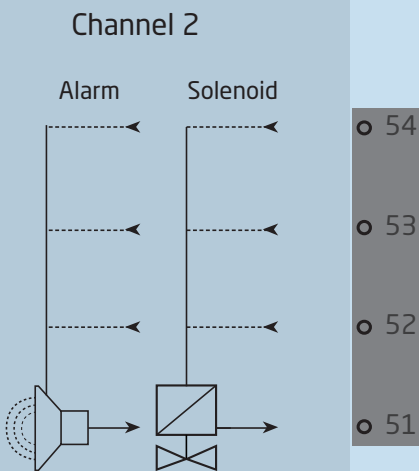
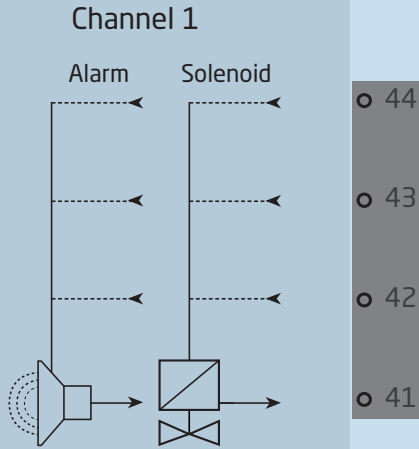
Supply via power rail

Zone 2 & Cl. 1, Div. 2, gr. A-D or Safe Area



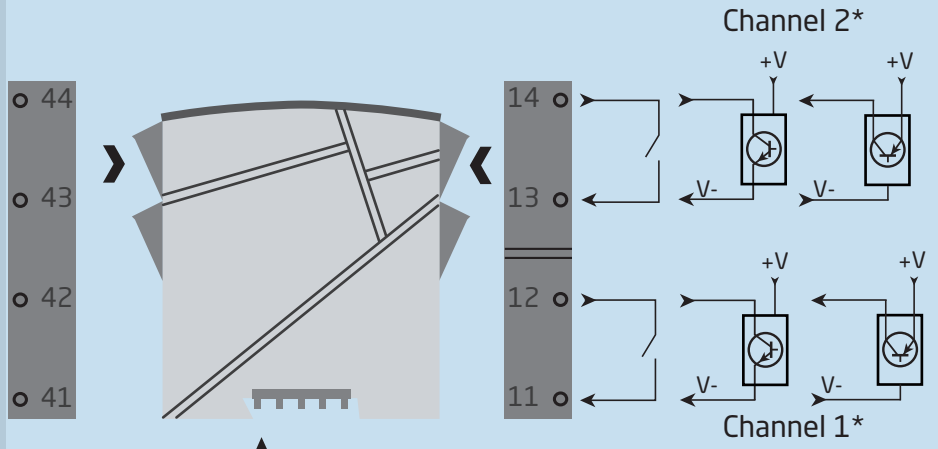
Applications - 9203Bxxxx

Output signals:



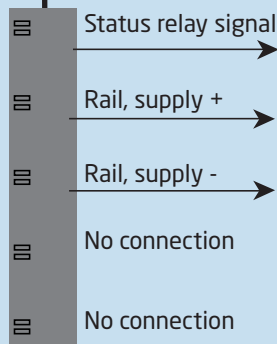
**Zone 0, 1, 2,
20, 21, 22, M1 &
Cl. I/II/III, Div. 1
gr. A-G**

Input signals:

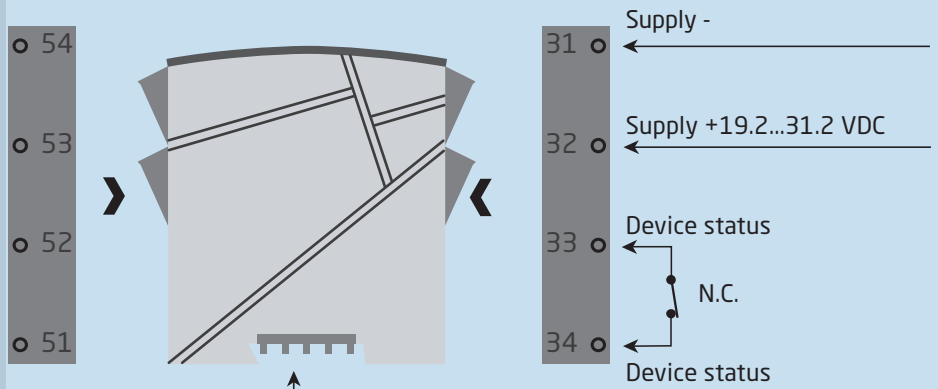


* For full overview of input connections, refer to page 16.

Power rail



Power connection:



Supply via power rail

**Zone 2 & Cl. 1, Div. 2, gr. A-D
or Safe Area**

Order

Type	Associated apparatus	Output	Channels	Input	I.S. / Ex approvals
9203	No : A	Low current : 1	Single : A	Opto / switch : -	ATEX, IECEx, FM, : - INMETRO, CCC, EAC-Ex, UKEX
	Yes : B		Double : B	PNP : 1	
		High current : 2	Single : A	NPN : 2	UL 913, ATEX, IECEx, FM, : -U9 INMETRO, CCC, EAC-Ex, UKEX KCs, ATEX, IECEx, FM, : -KCs INMETRO, CCC, EAC-Ex, UKEX

Example: 9203B2B2

Input type selector

	9203xxx-x	9203xxx1x	9203xxx2x
NPN open collector	x		x
PNP open collector	x	x	
Switch	x	x	x
Active signal		x	x

Accessories

- 4510 = Display / programming front
- 4511 = Modbus communication enabler
- 4512 = Bluetooth communication enabler
- 9400 = Power rail
- 9404 = Module stop for rail
- 9410 = Power control unit
- 9421 = Power supply 24 V - Ex ec nC

Technical data

Environmental conditions

- Specifications range -20°C to +60°C
- Storage temperature -20°C to +85°C
- Calibration temperature. 20...28°C
- Relative humidity < 95% RH (non-cond.)
- Protection degree IP20
- Installation in Pollution degree 2 & overvoltage category II.

Mechanical specifications

- Dimensions (HxWxD) 109 x 23.5 x 104 mm
- Dimensions (HxWxD) w/ PR 4500 109 x 23.5 x 131 mm
- Weight approx. 170 g
- DIN rail type. DIN EN 60715 - 35 mm
- Wire size. 0.13...2.08 mm² / AWG 26...14 stranded wire
- Screw terminal torque. 0.5 Nm
- Vibration. IEC 60068-2-6
- 2...13.2 Hz ±1 mm
- 13.2...100 Hz. ±0.7 g

Common electrical specifications

- Supply voltage 19.2...31.2 VDC
- Fuse 1.25 A SB / 250 VAC

Type	Description	Max. power dissipation	Max. required power
9203x1A-x	1 ch., low current	≤ 1.1 W	≤ 1.9 W
9203x1A1x	1 ch., low current	≤ 1.1 W	≤ 1.9 W
9203x1A2x	1 ch., low current	≤ 1.1 W	≤ 1.9 W
9203x1B-x	2 ch., low current	≤ 2.0 W	≤ 3.1 W
9203x1B1x	2 ch., low current	≤ 2.0 W	≤ 3.1 W
9203x1B2x	2 ch., low current	≤ 2.0 W	≤ 3.1 W
9203x2A-x	1 ch., high current	≤ 1.7 W	≤ 2.5 W
9203x2A1x	1 ch., high current	≤ 1.7 W	≤ 2.5 W
9203x2A2x	1 ch., high current	≤ 1.7 W	≤ 2.5 W

Max. required power is the maximum power needed at terminals 31 and 32.

Max. power dissipation is the maximum power dissipated by the device.

If the 9203 is used with the PR 4500, then add 40 mW to the max. power dissipation and 70 mW to the max. required power for each device with the PR 4500.

Isolation - test / working:

Input / output / supply 2.6 kVAC / 250 VAC reinforced isolation
Output 1 to output 2 1.5 kVAC / 150 VAC reinforced isolation
Status relay to supply 1.5 kVAC / 150 VAC reinforced isolation

Programming PR 4500

EMC - immunity influence.	< ±0.5% of span
Extended EMC immunity:	
NAMUR NE 21, A criterion, burst	< ±1% of span

9203xxx-x NPN open collector and mechanical switch

Trig level LOW ≤ 2.0 VDC
Trig level HIGH ≥ 4.0 VDC
Max. external voltage 28 VDC
Input impedance 3.5 kΩ
V open input 6.0 VDC

9203xxx-x PNP open collector

Trig level LOW ≤ 8.0 VDC
Trig level HIGH ≥ 10.0 VDC
Max. external voltage 28 VDC
Input impedance 3.5 kΩ
V open input 6.0 VDC

9203xxx1x PNP with pull-down resistor

Trig level low ≤ 8.0 VDC
Trig level high ≥ 10.0 VDC
Max external voltage 28 VDC
Input impedance 3.5 kΩ
V open input 6.5 VDC

9203xxx2x NPN with pull-up resistor

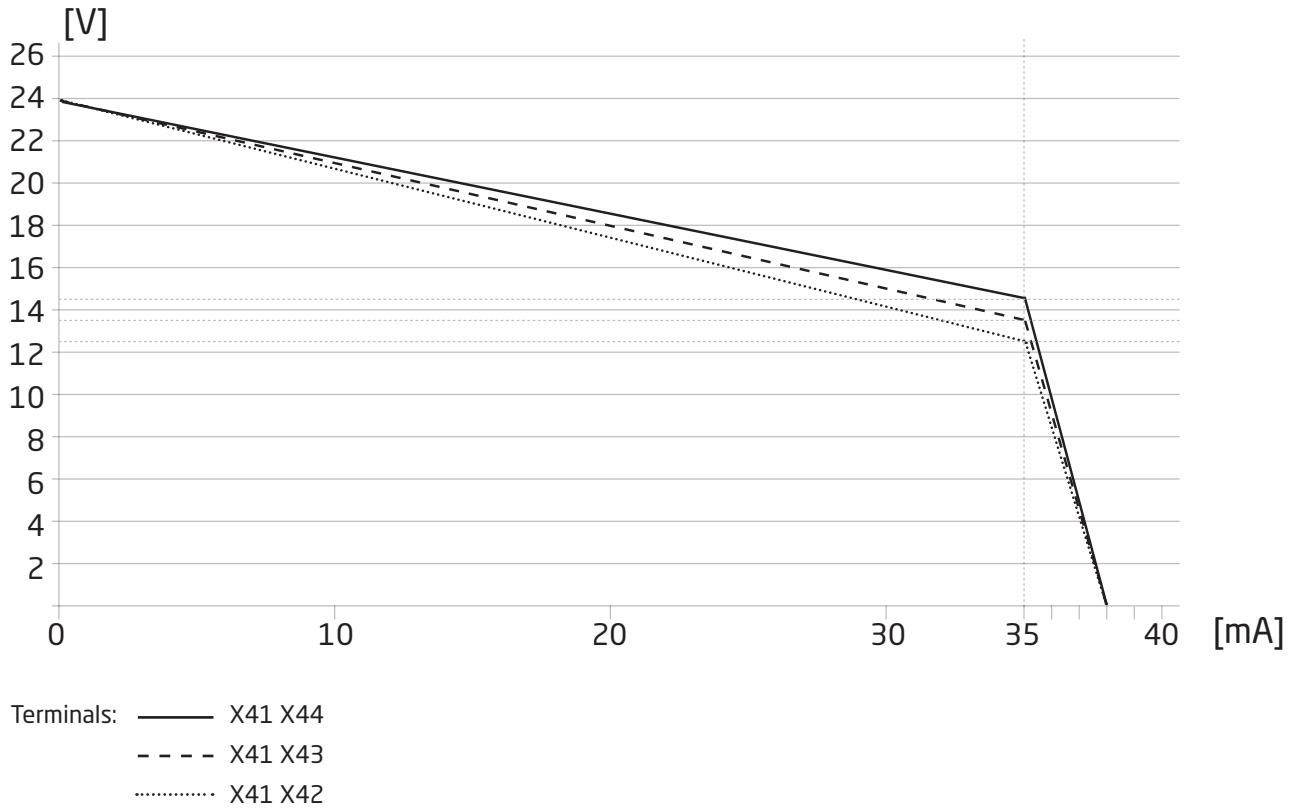
Trig level low ≤ 2.0 VDC
Trig level high ≥ 4.0 VDC
Max external voltage 28 VDC
Input impedance 3.5 kΩ
V open input 6.0 VDC

Outputs

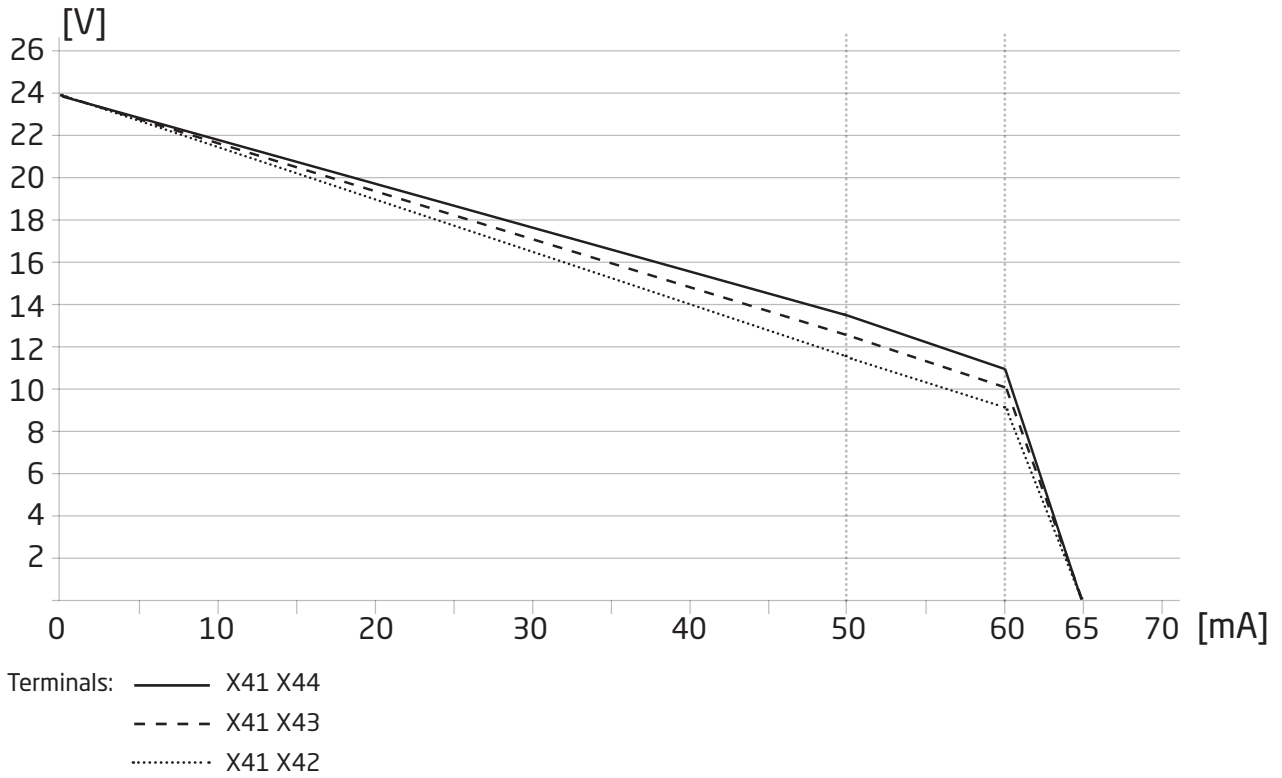
Output ripple < 40 mV RMS

Output loads

Terminal	9203x1Axx (1 channel) / 9203x1Bxx (2 channels)		
	41-42 / 51-52	41-43 / 51-53	41-44 / 51-54
Vout. no load	Min. 24 V	Min. 24 V	Min. 24 V
Vout. with load	Min. 12.5 V	Min. 13.5 V	Min. 14.5 V
Iout. max	35 mA	35 mA	35 mA



Terminal	9203x2Axx (1 channel)					
	41-42		41-43		41-44	
Vout. no load	Min. 24 V		Min. 24 V		Min. 24 V	
Vout. with load	Min. 11.5 V	Min. 9 V	Min. 12.5 V	Min. 10 V	Min. 13.5 V	Min. 11 V
Iout. max	50 mA	60 mA	50 mA	60 mA	50 mA	60 mA



Relay output

Status relay in safe area:

Max. voltage	125 VAC / 110 VDC
Max. current	0.5 A AC / 0.3 A DC
Max. power	62.5 VA / 32 W

Observed authority requirements

EMC	2014/30/EU & UK SI 2016/1091
ATEX	2014/34/EU & UK SI 2016/1107
LVD	2014/35/EU & UK SI 2016/1101
RoHS	2011/65/EU & UK SI 2012/3032

Approvals

DNV, Ships & Offshore.	TAA00000JD
ClassNK	TA18527M
c UL us, UL 61010-1.	E314307
EAC	TR-CU 020/2011
EAC LVD	TR-CU 004/2011
EAC Ex	TR-CU 012/2011

I.S. / Ex

ATEX	KEMA 07ATEX0147 X
IECEX.	IECEX KEM 09.0001X
UKEX.	DEKRA 21UKEX0181 X / DEKRA *22UKEXYYYY X
c FM us.	FM19US0057X / FM19CA0030X
INMETRO	DEKRA 16.0006 X
c UL us, UL 913 (only 9203xxxx-U9).	E233311
CCC	2020322304003423
KCs (only 9203xxxx-KCs).	21-AV4BO-0182X / 21-AV4BO-0183X / 21-AV4BO-0184X
EAC Ex	RU C-DK.HA65.B.00355/19

Functional Safety

SIL2 Certified & Fully Assessed acc. to IEC 61508

* Pending

Visualisation in PR 4500 of hardware / software error

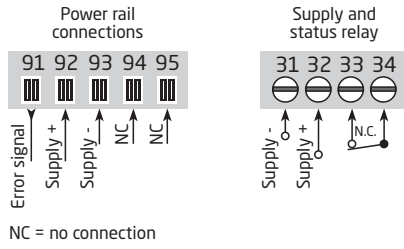
Readout at hardware error		
Error search	Readout	Cause
Communications test PR 4500 / 9203	NO.CO	Connection error
EEprom error - check configuration	FL.ER	Configuration error or crc mismatch, recovery configuration is loaded
Hardware error	DE.ER	Invalid recovery configuration in device
Hardware error	FC.ER	Invalid code checksum in PR 4500
EEprom error - check configuration	CO.ER	Invalid configuration (CRC or data)
Hardware error	CA.ER	Factory calibration error
Hardware error	HW.ER	HW setup - configuration mismatch
Hardware error	OC.ER	Main output controller communication error
Hardware error	MS.ER	Main internal supply out of bounds
Hardware error	MI.ER	Main initialisation selftest failed
Hardware error	MC.ER	Main flash or ram selftest failed

! All error indications in the display flash once per second. The help text explains the error.

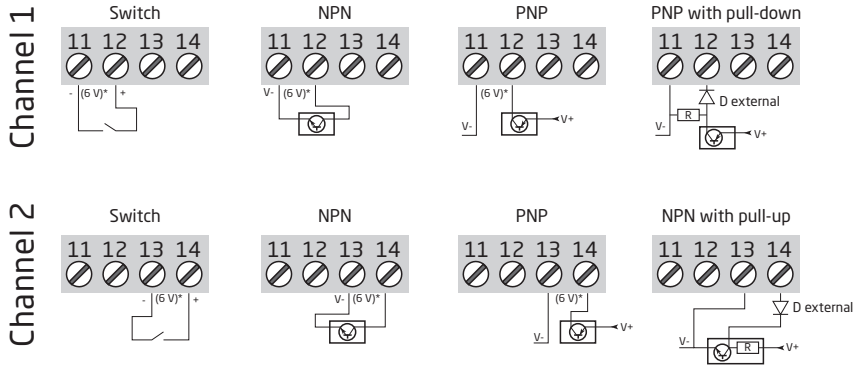
Errors affecting both channels are shown as error on channel 1 - and the line showing channel 2 is blank.

Hardware error can be reset in two ways. Either step through the menus (if the other channel is to stay in operation) or power cycle the device.

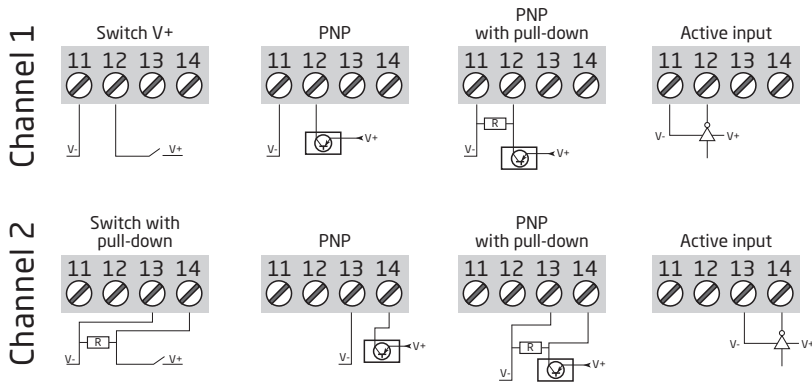
Connections



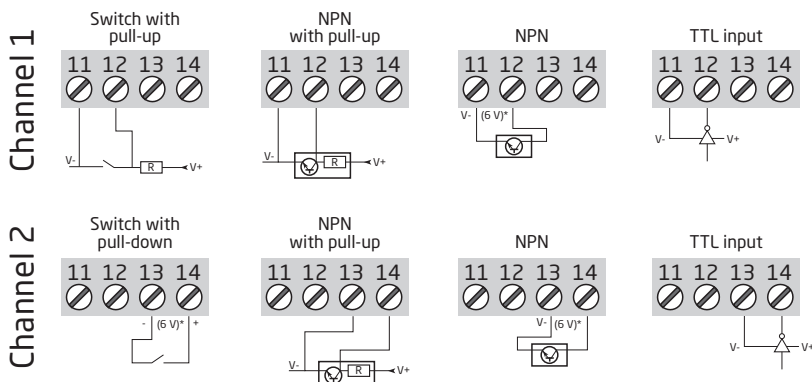
Inputs - 9203xxx-x:



Inputs - 9203xxx1x:

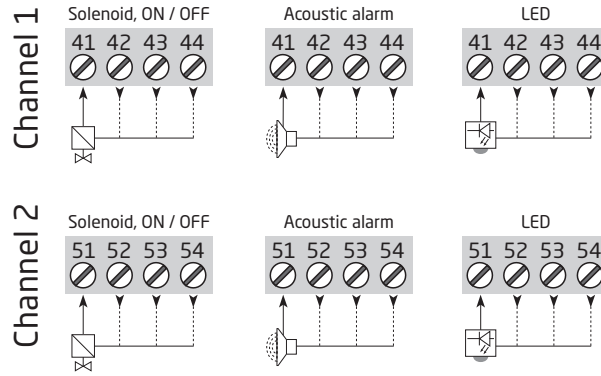


Inputs - 9203xxx2x:

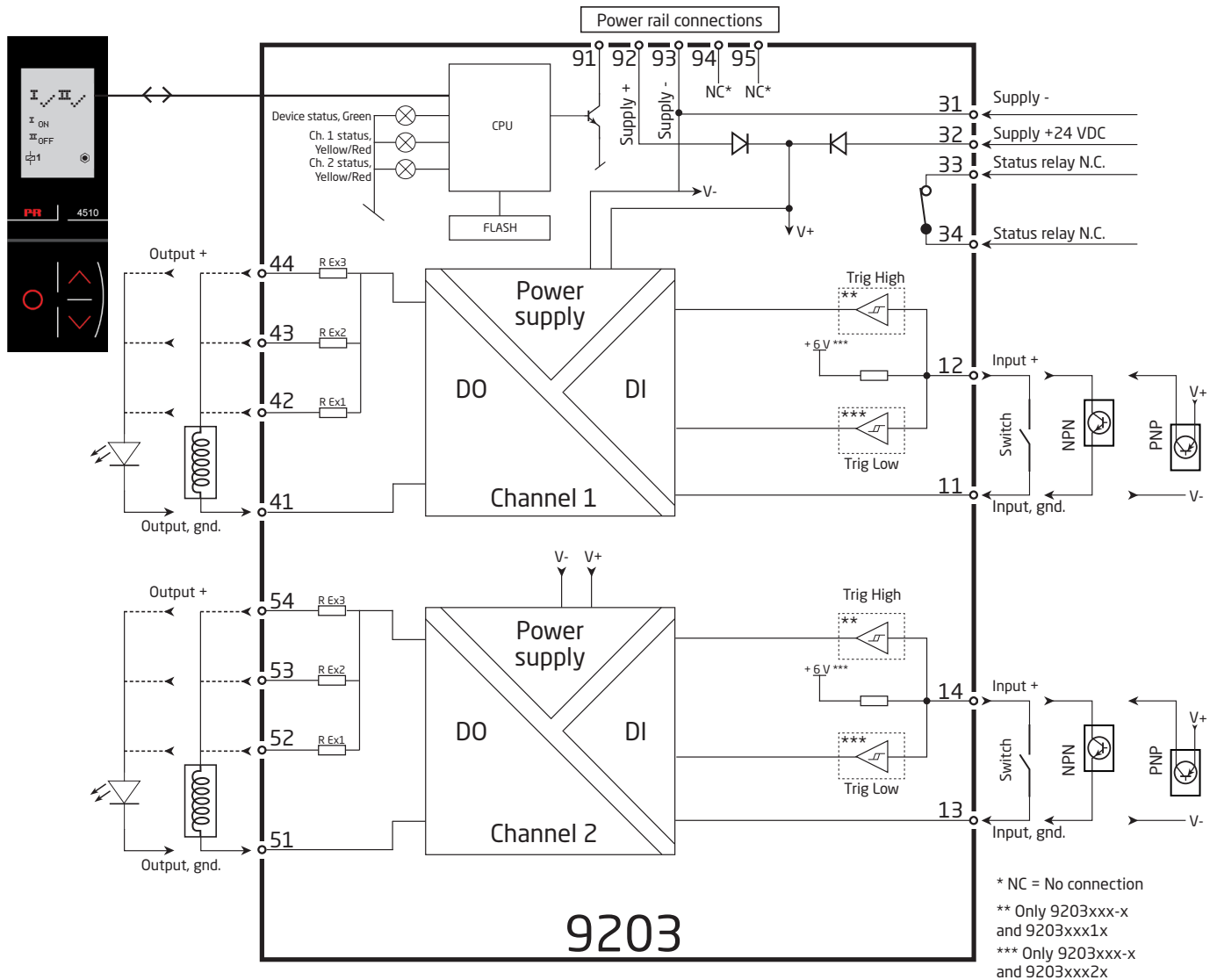


* 6 V at open state

Outputs - 9203xxxxx:



Block diagram



Signal error indications without display front

List of LED and error signal indications					
Condition	Green LED	Ch. 1: Yellow / Red	Ch. 2: Yellow / Red	Status relay, N.C.	Power rail signal status
Device OK	Flashing			Energized	OFF
No supply	OFF	OFF	OFF	De-energized	ON
Device defective	OFF	Red	Red	De-energized	ON
Ch. 1, output ON	Flashing	Yellow		Energized	OFF
Ch. 1, output OFF	Flashing	OFF		Energized	OFF
Ch. 2, output ON	Flashing		Yellow	Energized	OFF
Ch. 2, output OFF	Flashing		OFF	Energized	OFF

Configuration / operating the function keys

Documentation for routing diagram.

In general

When configuring the 9203, you will be guided through all parameters and you can choose the settings which fit the application. For each menu there is a scrolling help text which is automatically shown in line 3 on the display.

Configuration is carried out by use of the 3 function keys:

- ⏪ will increase the numerical value or choose the next parameter
- ⏩ will decrease the numerical value or choose the previous parameter
- ⏹ will save the chosen value and proceed to the next menu

When configuration is completed, the display will return to the default state 1.0. Pressing and holding ⏹ will return to the previous menu or return to the default state (1.0) without saving the changed values or parameters.

If no key is activated for 1 minute, the display will return to the default state (1.0) without saving the changed values or parameters.

Further explanations

Password protection: Programming access can be blocked by assigning a password. The password is saved in the device in order to ensure a high degree of protection against unauthorised modifications to the configuration. If the configured password is not known, please contact PR electronics support - www.prelectronics.com/contact.

Signal and sensor error indication via display front PR 4500

The display front can be configured to show output status, output current (load) or tag no. for both channels. When selecting "ALT" the readout toggles between digital output and tag no. In case of hardware error, a help text explaining the error will be displayed.

Advanced functions

The unit gives access to a number of advanced functions which can be reached by answering "Yes" to the point "ADV.SET".

Display setup: Here you can adjust the brightness contrast and the backlight. Setup of TAG numbers with 5 alphanumeric. Selection of functional readout in line 2 and 3 of the display - choose between readout of output status, output current (load) or tag no. When selecting "ALT" the readout toggles between the display options.

Password: Here you can choose a password between 0000 and 9999 in order to protect the unit against unauthorised modifications to the configuration. The unit is delivered default without password.

Language: In the menu "LANG" you can choose between 7 different language versions of help texts that will appear in the menu. You can choose between UK, DE, FR, IT, ES, SE and DK.

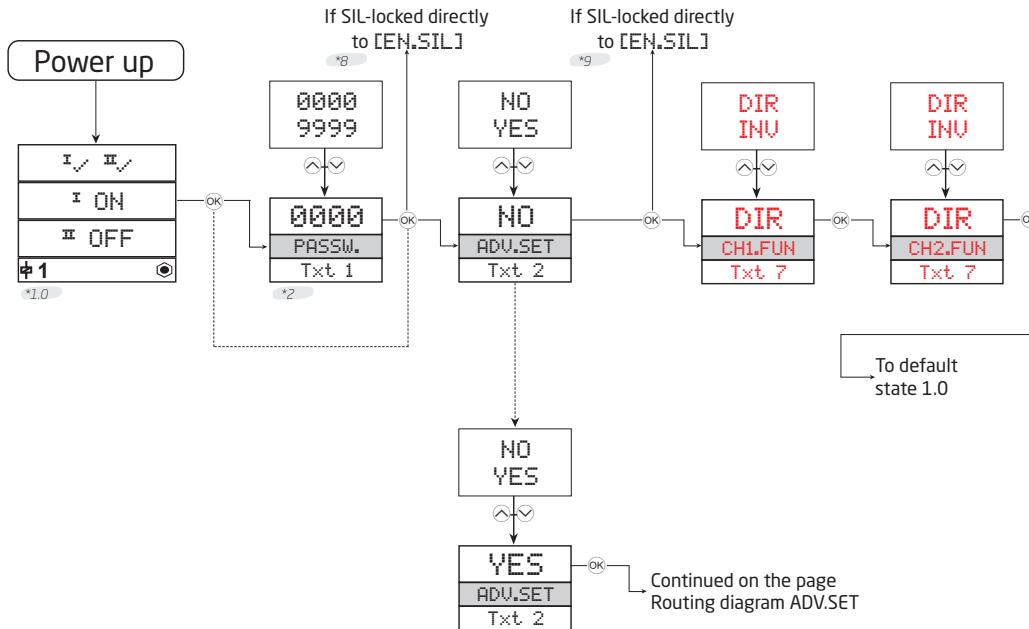
Safety Integrity Level (SIL): See Safety Manual for details. 



Routing diagram

If no key is activated for 1 minute, the display will return to the default state 1.0 without saving configuration changes.

- ⏪ Increase value / choose next parameter
- ⏩ Decrease value / choose previous parameter
- ⏹ Save the chosen value and proceed to the next menu
- Hold ⏹ Back to previous menu / return to menu 1.0 without saving.



*1.0 Default state.
 Line 1 shows status for channel 1 and channel 2.
 Line 2 shows output status for channel 1, output current or tag no.
 Line 3 shows output status for channel 2, output current or tag no.
 Line 4 indicates whether the device is SIL-locked.

*2 Only if password-protected.

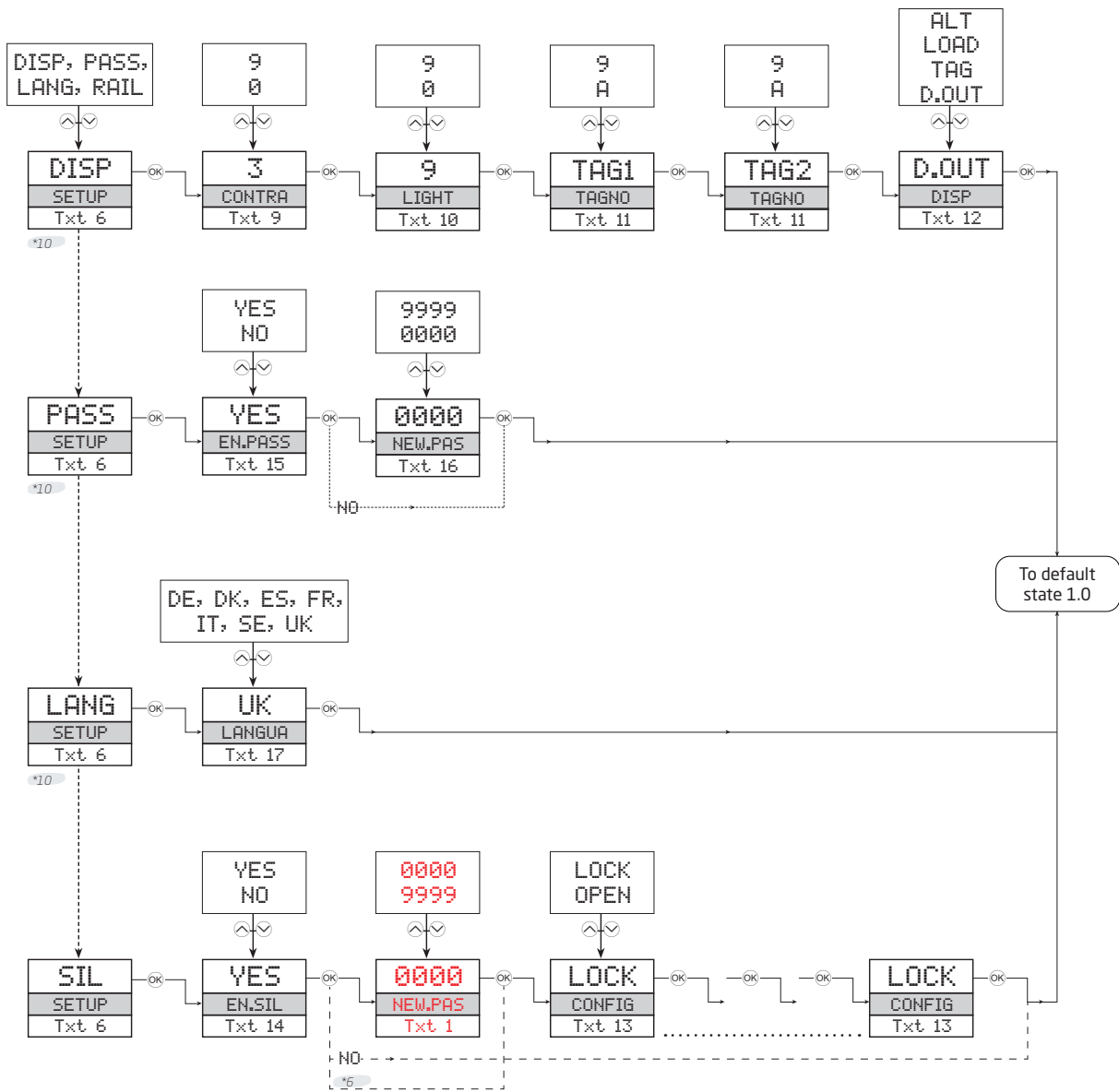
*8 Branching to SIL from this point valid for:
 All 4510 devices.
 4511 devices with serial no. lower than 211001001.
 4512 devices with serial no. lower than 211065001.

Line 1 symbols:
 I, II = OK. Flashing III = error.
 Line 2 and 3 symbols:
 I ON = channel 1 ON
 II OFF = channel 2 OFF
 Line 4 symbols:
 Static dot = SIL-locked
 Flashing dot = Not SIL-locked
 ⊕ = output is active

Red text signifies safety parameters in a SIL configuration. See safety manual for details

*9 Branching to SIL from this point valid for:
 4511 devices with serial no from 211001001.
 4512 devices with serial no from 211065001.

Routing diagram, advanced settings (ADV.SET)



*6 If password has been set.

*10 Not available on PR 4500 if SIL-locked.
Only for 4512 devices with serial no. from 211065001 and
for 4511 devices with serial no. from 211001001.

Help text overview

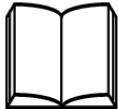
- [01] Set correct password
- [02] Enter advanced setup?
- [06] Enter language setup
 - Enter password setup
 - Enter display setup
 - Enter SIL setup
- [07] Select direct channel function
 - Select inverted channel function
- [09] Adjust LCD contrast
- [10] Adjust LCD backlight
- [11] Write a 5-character channel tag
- [12] Show output state in display
 - Show output load in display
 - Show tag in display
 - Alternate information shown in display
- [13] Configuration SIL status (Open / Locked)
- [14] Enable SIL configuration lock
- [15] Enable password protection?
- [16] Set new password
- [17] Select language
- [20] No communication - check connections
- [21] EEPROM error - check configuration
- [22] Hardware error

IECEX Installation drawing



For safe installation of 9203 the following must be observed. The module shall only be Installed by qualified personnel who are familiar with the national and international laws, directives and standards that apply to this area.

Year of manufacture can be taken from the first two digits in the serial number.



For Installation in Zone 2 / Division 2 the following must be observed.

The 4501 programming module is to be used solely with PRelectronics modules. It is important that the module is undamaged and has not been altered or modified in any way. Only 4501 modules free of dust and moisture shall be installed.

IECEX Certificate: IECEX KEM 09.0001X

Marking 9203Bxxx [Ex ia Ga] IIC/IIB/IIA
[Ex ia Da] IIIC
[Ex ia Ma] I

Marking 9203Bxxx , 9203Axxx Ex ec nC IIC T4 Gc

Standards IEC60079-0:2017, IEC60079-11:2011,
IEC60079-15:2017, IEC60079-7:2015+A1:2017

Type	Installation	Current Output	Channels	Input
9203	Non Ex / Zone 2 :A	Low current :1	Single :A	Standard :-
			Double :B	PNP : 1
	Ex-Barrier / Zone 2 :B	High current :2	Single :A	NPN : 2

Installation notes.

Install in pollution degree 2, overvoltage category II as defined in IEC60664-1.

Do not separate connectors when energized and an explosive gas mixture is present.

Do not mount or remove modules from the Power Rail when an explosive gas mixture is present.

Disconnect power before servicing.

The wiring of unused terminals is not allowed.

In type of protection [Ex ia Da] the parameters for intrinsic safety for gas group IIB are applicable.

For installation in Zone 2, the module shall be installed in an enclosure in type of protection Ex e, providing a degree of protection of at least IP54. Cable entry devices and blanking elements shall fulfill the same requirements.

For installation on Power Rail in Zone 2, only Power Rail type 9400 supplied by Power Control Unit type 9410 (IECEX Certificate of Conformity IECEX KEM 08.0025X) is allowed.

Max. screw terminal torque 0.5 Nm.

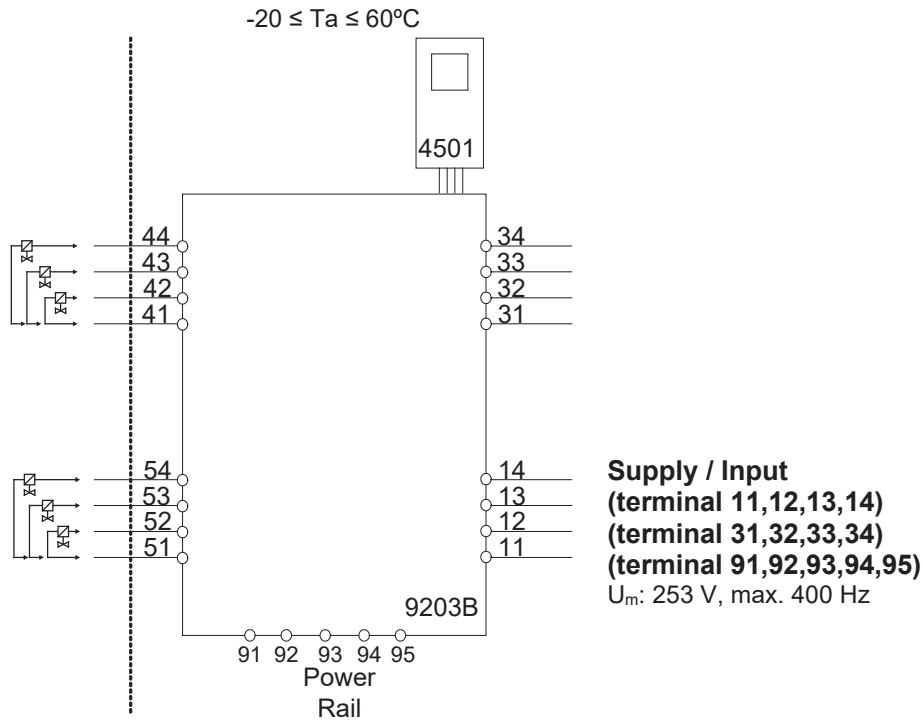
Stranded wire should be installed with an insulation stripping length of 5 mm or via a suitable insulated terminal such as a bootlace ferrule.

LERBAKKEN 10, 8410 RØNDE DENMARK

9203Bxxx Installation:

Hazardous area
Zone 0, 1, 2, 20, 21, 22

Non Hazardous area
or Zone 2



Terminal (31,32)

Supply:

Voltage 19.2 – 31.2 VDC
Power max. 3.5 W

Terminal (11,12 and 13,14)

Input:

Voltage Max. 28 VDC
Trig: NPN Low < 2 V, High > 4 V
Trig: PNP Low < 8 V, High > 10 V

Terminal (33,34)

Status Relay:

Non Hazardous location
Voltage max. 125 VAC / 110 VDC
Power max. 62.5 VA / 32 W
Current max. 0.5 AAC / 0.3 ADC

Zone 2 installation

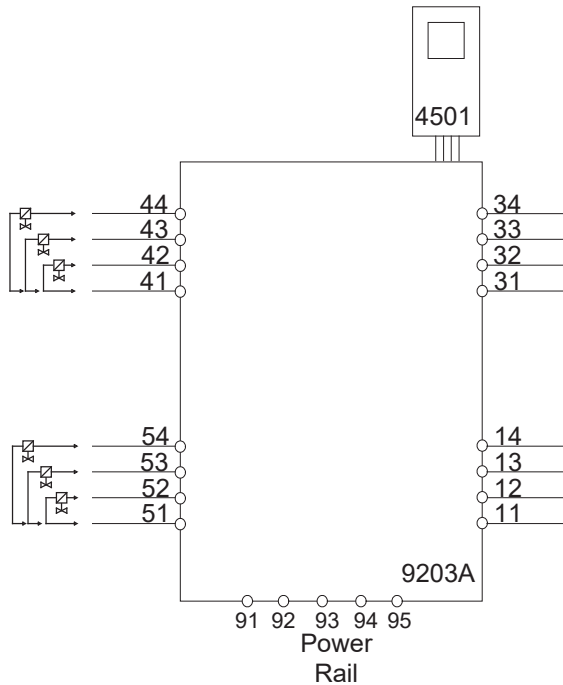
32 VAC / 32 VDC
16 VA / 32 W
0.5 AAC / 1 ADC

LERBAKKEN 10, 8410 RØNDE DENMARK

9203B1A, 9203B1B Terminal 41-42/51-52			Co	Lo	Lo/Ro	9203B2A Terminal 41-42			Co	Lo	Lo/Ro
U _o	28V	IIC	80nF	4.2mH	54μH/Ω	U _o	28V	IIC	80nF	2.69mH	44μH/Ω
I _o	93 mA	IIB	640nF	16.8mH	218μH/Ω	I _o	115mA	IIB	640nF	10.8mH	176μH/Ω
P _o	0.65W	IIA	2.1μF	32.6mH	436μH/Ω	P _o	0.81W	IIA	2.1μF	20.8mH	353μH/Ω
		I	3.76μF	32.6mH	436μH/Ω			I	3.76μF	20.8mH	353μH/Ω
9203B1A, 9203B1B Terminal 41-43/51-53			Co	Lo	Lo/Ro	9203B2A Terminal 41-43			Co	Lo	Lo/Ro
U _o	28V	IIC	80nF	3.5mH	54μH/Ω	U _o	28V	IIC			
I _o	100mA	IIB	640nF	14.2mH	218μH/Ω	I _o	125mA	IIB	640nF	9.1mH	163μH/Ω
P _o	0.70W	IIA	2.1μF	27.6mH	436μH/Ω	P _o	0.88W	IIA	2.1μF	17.6mH	327μH/Ω
		I	3.76μF	27.6mH	436μH/Ω			I	3.76μF	17.6mH	327μH/Ω
9203B1A,9203B1B Terminal 41-44/51-54			Co	Lo	Lo/Ro	9203B2A Terminal 41-44			Co	Lo	Lo/Ro
U _o	28V	IIC	80nF	2.9mH	46μH/Ω	U _o	28V	IIC			
I _o	110mA	IIB	640nF	11.8mH	184μH/Ω	I _o	135mA	IIB	640nF	7.8mH	150μH/Ω
P _o	0.77W	IIA	2.1μF	22.8mH	369μH/Ω	P _o	0.95W	IIA	2.1μF	15.1mH	301μH/Ω
		I	3.76μF	22.8mH	369μH/Ω			I	3.76μF	15.1mH	301μH/Ω

LERBAKKEN 10, 8410 RØNDE DENMARK

9203Axxx Installation
Non Classified area or Zone 2



**Terminal (31,32)
Supply:**

Voltage 19.2 – 31.2 VDC
Power max. 3.5 W

**Terminal (11,12 and 13,14)
Input:**

Voltage Max. 28 VDC
Trig: NPN Low < 2 V, High > 4 V
Trig: PNP Low < 8 V, High > 10 V

Terminal (33,34)

Status Relay: Non Hazardous location
Voltage max. 125 VAC / 110 VDC
Power max. 62.5 VA / 32 W
Current max. 0.5 AAC / 0.3 ADC

Zone 2 installation
32 VAC / 32 VDC
16 VA / 32 W
0.5 AAC / 1 ADC

Terminal (41..44 / 51..54)

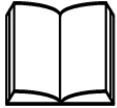
Umax 28 V
Imax 135 mA
Pmax 0.95 W

LERBAKKEN 10, 8410 RØNDE DENMARK

ATEX/UKEX Installation drawing



For safe installation of 9203 the following must be observed. The module shall only be Installed by qualified personnel who are familiar with the national and international laws, directives and standards that apply to this area.
Year of manufacture can be taken from the first two digits in the serial number.



For Installation in Zone 2 / Division 2 the following must be observed.
The 4501 programming module is to be used solely with PR electronics' modules. It is important that the module is undamaged and has not been altered or modified in any way. Only 4501 modules free of dust and moisture shall be installed.

ATEX Certificate
UKEX Certificate, 9203Bxxx
UKEX Certificate, 9203Axxx, Bxxx

KEMA 07ATEX 0147 X
DEKRA 22UKEXYYYY X - *Pending*
DEKRA 21UKEX0181 X

Marking 9203Bxx



II (1) G [Ex ia Ga]
IIC/IIB/IIA
I (1) D [Ex ia Da] IIIC

Marking 9203Bxx, 9203Axx

II 3G Ex ec nC IIC T4 Gc

Standards

EN 60079-0 : 2018, EN 60079-11 : 2012,
EN 60079-15 : 2019, EN60079-7:2015+A1:2018

Special Conditions of Use

Install in pollution degree 2, overvoltage category II as defined in EN60664-1.

Do not separate connectors when energized and an explosive gas mixture is present.
Do not mount or remove modules from the Power Rail when an explosive gas mixture is present.
Disconnect power before servicing.
The wiring of unused terminals is not allowed.

In type of protection [Ex ia Da] the parameters for intrinsic safety for gas group IIB are applicable.

For installation in Zone 2, the module shall be installed in an enclosure in type of protection Ex e, providing a degree of protection of at least IP54. Cable entry devices and blanking elements shall fulfill the same requirements.

For installation on Power Rail in Zone 2, only Power Rail type 9400 supplied by Power Control Unit type 9410 (Type Examination Certificate KEMA 07ATEX0152 X, DEKRA 21UKEX0169 X) is allowed.

Max. screw terminal torque 0.5 Nm.

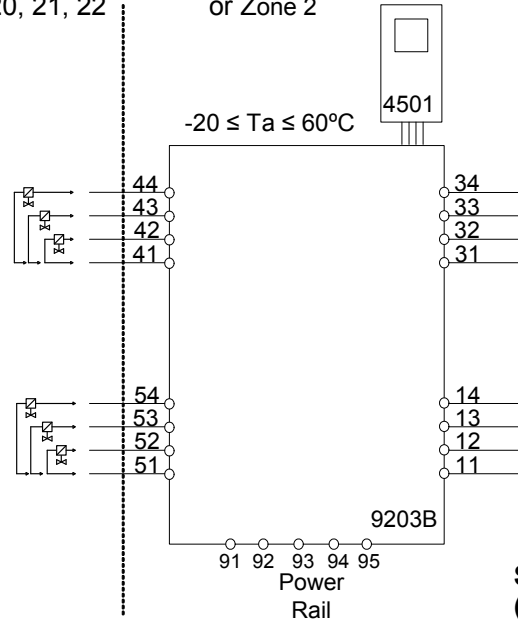
Stranded wire should be installed with an insulation stripping length of 5 mm or via a suitable insulated terminal such as a bootlace ferrule.

LERBAKKEN 10, 8410 RØNDE DENMARK

9203Bxxx Installation:

Hazardous area
Zone 0,1,2, 20, 21, 22

Non Hazardous Area
or Zone 2



Supply / Input
(terminal 11,12,13,14)
(terminal 31,32,33,34)
(terminal 91,92,93,94,95)
U_m: 253 V, max. 400 Hz

Terminal (31,32)

Supply:
Voltage 19.2 – 31.2 VDC
Power max. 3.5 W

Terminal (11,12 and 13,14)

Input:
Voltage max 28 VDC
Trig: NPN Low < 2 V, High > 4 V
Trig: PNP Low < 8 V, High > 10 V

Terminal (33,34)

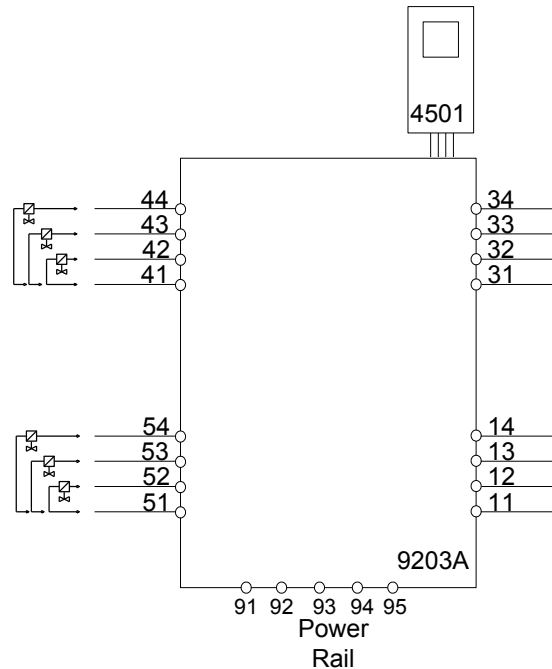
Status Relay:	Non Hazardous location	Zone 2 installation
Voltage max.	125 VAC / 110 VDC	32 VAC / 32 VDC
Power max.	62.5 VA / 32 W	16 VA / 32 W
Current max.	0.5 AAC / 0.3 ADC	0.5 AAC / 1 ADC

LERBAKKEN 10, 8410 RØNDE DENMARK

9203B1A, 9203B1B Terminal 41-42/51-52			Co	Lo	Lo/Ro	9203B2A Terminal 41-42			Co	Lo	Lo/Ro
U _o	28V	IIC	80nF	4.2mH	54μH/Ω	U _o	28V	IIC	80nF	2.69mH	44μH/Ω
I _o	93 mA	IIB	640nF	16.8mH	218μH/Ω	I _o	115mA	IIB	640nF	10.8mH	176μH/Ω
P _o	0.65W	IIA	2.1μF	32.6mH	436μH/Ω	P _o	0.81W	IIA	2.1μF	20.8mH	353μH/Ω
		I	3.76μF	32.6mH	436μH/Ω			I	3.76μF	20.8mH	353μH/Ω
9203B1A, 9203B1B Terminal 41-43/51-53			Co	Lo	Lo/Ro	9203B2A Terminal 41-43			Co	Lo	Lo/Ro
U _o	28V	IIC	80nF	3.5mH	54μH/Ω	U _o	28V	IIC			
I _o	100mA	IIB	640nF	14.2mH	218μH/Ω	I _o	125mA	IIB	640nF	9.1mH	163μH/Ω
P _o	0.70W	IIA	2.1μF	27.6mH	436μH/Ω	P _o	0.88W	IIA	2.1μF	17.6mH	327μH/Ω
		I	3.76μF	27.6mH	436μH/Ω			I	3.76μF	17.6mH	327μH/Ω
9203B1A, 9203B1B Terminal 41-44/51-54			Co	Lo	Lo/Ro	9203B2A Terminal 41-44			Co	Lo	Lo/Ro
U _o	28V	IIC	80nF	2.9mH	46μH/Ω	U _o	28V	IIC			
I _o	110mA	IIB	640nF	11.8mH	184μH/Ω	I _o	135mA	IIB	640nF	7.8mH	150μH/Ω
P _o	0.77W	IIA	2.1μF	22.8mH	369μH/Ω	P _o	0.95W	IIA	2.1μF	15.1mH	301μH/Ω
		I	3.76μF	22.8mH	369μH/Ω			I	3.76μF	15.1mH	301μH/Ω

LERBAKKEN 10, 8410 RØNDE DENMARK

9203Axxx Installation:
Non Classified area or Zone 2



**Terminal (31,32)
Supply:**

Voltage 19.2 – 31.2 VDC
Power max. 3.5 W

**Terminal (11,12 and 13,14)
Input:**

Voltage max 28 VDC
Trig: NPN Low < 2 V, High > 4 V
Trig: PNP Low < 8 V, High > 10 V

Terminal (33,34)

Status Relay: Non Hazardous location
Voltage max. 125 VAC / 110 VDC
Power max. 62.5 VA / 32 W
Current max. 0.5 AAC / 0.3 ADC

Zone 2 installation
32 VAC / 32 VDC
16 VA / 32 W
0.5 AAC / 1 ADC

Terminal (41..44 / 51..54)

Umax 28 V
Imax 135 mA
Pmax 0.95 W

LERBAKKEN 10, 8410 RØNDE DENMARK

FM Installation drawing



For safe installation of 9203 the following must be observed. The module shall only be installed by qualified personnel who are familiar with the national and international laws, directives and standards that apply to this area.

Year of manufacture can be taken from the first two digits in the serial number.



For Installation in Zone 2 / Division 2 the following must be observed.

The 4501 programming module is to be used solely with PRelectronics modules. It is important that the module is undamaged and has not been altered or modified in any way. Only 4501 modules free of dust and moisture shall be installed.

Type	Installation	Current Output	Channels	Input
9203	Non Ex / Zone 2 :A	Low current :1	Single :A	Standard :-
	Ex-Barrier / Zone 2 :B		Double :B	PNP : 1
			High current :2	Single :A

Installation notes:

In Class I, Division 2 installations, the subject equipment shall be mounted within a too-secured enclosure which is capable of accepting one or more of the Class I, Division 2 wiring methods specified in the National Electrical Code (ANSI/NFPA 70) or the Canadian Electrical Code (C22.1).

In Class I, Zone 2 installations, the subject equipment shall be mounted within a tool secured enclosure which is capable of accepting one or more of the Class I, Zone 2 wiring methods specified in the National Electrical Code (ANSI/NFPA 70) or the Canadian Electrical Code (C22.1). Where installed in outdoor or potentially wet locations, the enclosure shall, at a minimum, meet the requirements of IP54.

In Class I, Zone 2 installations, the installer shall ensure protection of supply terminals against transient voltages exceeding 140% of the rated supply voltage.

Install in environments rated Pollution Degree 2 or better; overvoltage category I or II.

The module must be supplied from a Power Supply having double or reinforced insulation.

The use of stranded wires is not permitted for mains wiring except when wires are fitted with cable ends. For installation on the 9400 Power Rail the power must be supplied from Power Control Module Unit 9410.

The module is galvanically isolated and does not require grounding.

Use 60 / 75 °C copper conductors with wire size AWG: (26-14).

The maximum internal Power dissipation for adjacent modules is assumed to be max. 2W each.

Warning: Substitution of components may impair intrinsic safety and / or suitability for Div. 2 / Zone 2.

Warning: To prevent ignition of explosive atmospheres, disconnect power before servicing and do not separate connectors when energized and an explosive gas mixture is present.

Warning: Do not mount or remove modules from the Power Rail when an explosive gas mixture is present.

Revision date:
2019-04-04

Version Revision
V7R0

Prepared by:
PB

Page:
1/3

LERBAKKEN 10, 8410 RØNDE DENMARK

9203Bxxx Installation:

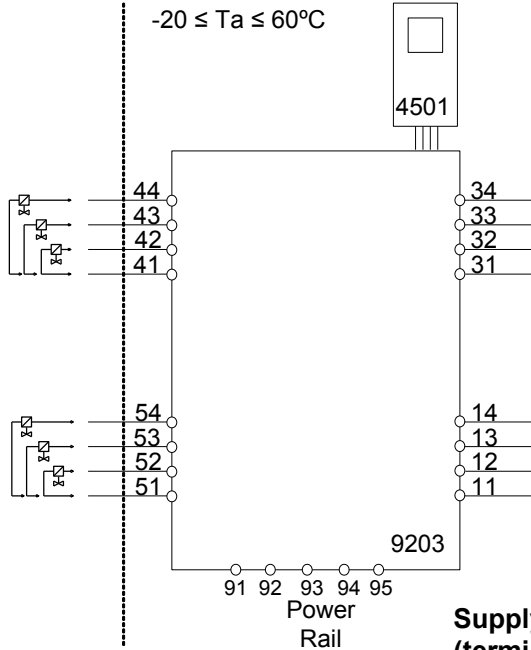
Hazardous Classified Location

Class I/II/III, Division 1, Group A,B,C,D,E,F,G
or Class I, Zone 0/1 Group IIC, [AEx ia] IIC
or Group IIC, [Ex ia Ga] IIC Gc

Unclassified Location or

Hazardous Classified Location
Class I, Division 2, Group A,B,C,D T4
or Class I Zone 2 Group IIC T4 Gc

Simple Apparatus or
Intrinsically safe apparatus
with entity parameters:
 $V_{max}(U_i) \geq V_t(U_o)$
 $I_{max}(I_i) \geq I_t(I_o)$
 $P_i \geq P_t(P_o)$
 $C_a(C_o) \geq C_{cable} + C_i$
 $L_a(L_o) \geq L_{cable} + L_i$



Supply / Input
(terminal 11,12,13,14)
(terminal 31,32,33,34)
(terminal 91,92,93,94,95)
 $U_m: 253V, \text{max. } 400Hz$

Terminal (31,32)

Supply:

Voltage 19.2 – 31.2 VDC
Power max. 3.5 W

Terminal (11,12 and 13,14)

Input:

Voltage max 28VDC
Trig: NPN Low < 2V, High > 4V
Trig: PNP Low < 8V, High > 10V

Terminal (33,34)

Status Relay:

Voltage max. 125 VAC / 110 VDC
Power max. 62.5 VA / 32 W
Current max. 0.5 AAC / 0.3 ADC

Non Hazardous location:

Division 2 or Zone 2 installation:

32 VAC / 32VDC
16 VA / 32 W
0.5 AAC / 1 ADC

LERBAKKEN 10, 8410 RØNDE DENMARK

Module 9203B1A & 9203B1B Terminal 41-42 / 51-52		Co/Ca	Lo/La	Lo/Ro or La/Ra
Uo/Voc	28 V	IIC or AB	80 nF	4.2 mH
Io/Isc	93 mA	IIB or C,E,F	640 nF	16.8 mH
Po	0.65 W	IIA or D,G	2.1 µF	32.6 mH

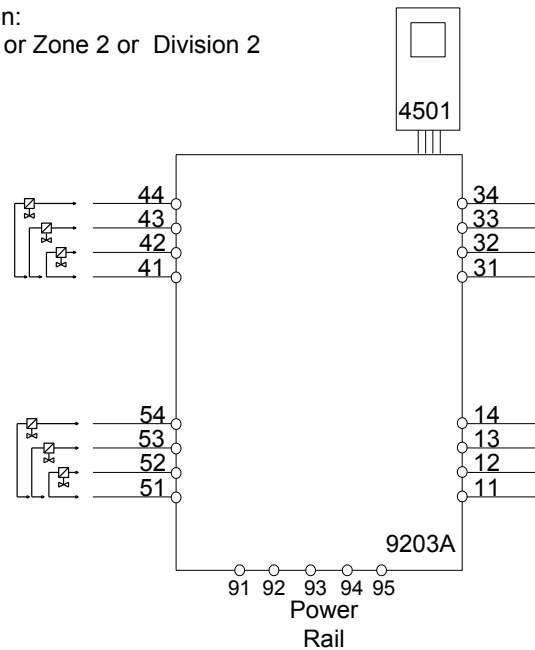
Module 9203B2A Terminal 41-42		Co/Ca	Lo/La	Lo/Ro or La/Ra
Uo/Voc	28 V	IIC or AB	80 nF	2.69 mH
Io/Isc	115 mA	IIB or C,E,F	640 nF	10.8 mH
Po	0.81 W	IIA or D,G	2.1 µF	20.8 mH

Module 9203B1A & 9203B1B Terminal 41-43 / 51-53		Co/Ca	Lo/La	Lo/Ro or La/Ra
Uo/Voc	28 V	IIC or AB	80 nF	3.5 mH
Io/Isc	100 mA	IIB or C,E,F	640 nF	14.2 mH
Po	0.70 W	IIA or D,G	2.1 µF	27.6 mH

Module 9203B2A Terminal 41-43		Co/Ca	Lo/La	Lo/Ro or La/Ra
Uo/Voc	28 V	IIC or AB		
Io/Isc	125 mA	IIB or C,E,F	640 nF	9.1 mH
Po	0.88 W	IIA or D,G	2.1 µF	17.6 mH

Module 9203B1A & 9203B1B Terminal 41-44 / 51-54		Co/Ca	Lo/La	Lo/Ro or La/Ra
Uo/Voc	28 V	IIC or AB	80 nF	2.9 mH
Io/Isc	110 mA	IIB or C,E,F	640 nF	11.8 mH
Po	0.77 W	IIA or D,G	2.1 µF	22.8 mH

Module 9203B2A Terminal 41-44		Co/Ca	Lo/La	Lo/Ro or La/Ra
Uo/Voc	28 V	IIC or AB		
Io/Isc	135 mA	IIB or C,E,F	640 nF	7.8 mH
Po	0.95 W	IIA or D,G	2.1 µF	15.1 mH

9203Axxx Installation:
Non Classified area or Zone 2 or Division 2

Terminal (31,32)
Supply:

Voltage 19.2 – 31.2 VDC
Power max. 3.5 W

Terminal (11,12 and 13,14)
Input:

Voltage max 28VDC
Trig: NPN Low < 2V, High > 4V
Trig: PNP Low < 8V, High > 10V

Terminal (33,34)
Status Relay:

Voltage max. 125 VAC / 110 VDC
Power max. 62.5 VA / 32 W
Current max. 0.5 AAC / 0.3 ADC

Zone 2 installation

32 VAC / 32 VDC
16 VA / 32 W
0.5 AAC / 1 ADC

Revision date:
2019-04-04

Version Revision
V7R0

Prepared by:
PB

Page:
3/3

LERBAKKEN 10, 8410 RØNDE DENMARK

UL Installation drawing



For safe installation of the Process Control Equipment (Associated Apparatus) 9203 the following must be observed. The module shall only be installed by qualified personnel who are familiar with the national and international laws, directives and standards that apply to this area.



For Installation in DIV2/Zone2 the following must be observed. The 4501 programming module is to be used solely with PR electronics modules. It is important that the module is undamaged and has not been altered or modified in any way. Only 4501 modules free of dust and moisture shall be installed

Model: 9203abcd-U9 Solenoid / alarm driver
a: A or B See below
b: 1=Low current, 2=High current
c: A= One Channel, B= Two Channel
d: blank = Standard, 1=PNP, 2=NPN

Marking:



Proc. Cont. Eq. for Use in Haz. Loc.
Install in CL I DIV2 GP A-D T4 provide
IS circuits to CL I-III DIV 1 GP A-G
or CL I Zn2 Gp IIC T4 provides IS
E233311 circuits for CL I Zn0 Gp IIC/Zn20 Gp IIIC
Um=253V [Exia] Installation Drawing: 9203QU01

The 9203Bxxx-U9 is galvanically isolating associated apparatus intended for installation in non-hazardous locations or Class I, Division 2, Groups A – D hazardous locations with intrinsically safe connections to Class I, II and III hazardous locations.



Proc. Cont. Eq. for Use in Haz. Loc.
Install in CL I DIV2 GP A-D T4
or CL I Zn2 Gp IIC T4
E233311 Installation Drawing: 9203QU01

The 9203Axxx-U9 equipment is intended for installation in non-hazardous locations or Class I, Division 2, Groups A – D or Zone 2 Group IIC hazardous locations.

Standards:

- UL 121201 NONINCENDIVE ELECTRICAL EQUIPMENT FOR USE IN CLASS I AND II, DIVISION 2 AND CLASS III, DIVISIONS 1 AND 2 HAZARDOUS (CLASSIFIED) LOCATIONS Edition 9 - Revision Date 2018/08/31
- CSA C22.2 NO. 213 NONINCENDIVE ELECTRICAL EQUIPMENT FOR USE IN CLASS I AND II, DIVISION 2 AND CLASS III, DIVISIONS 1 AND 2 HAZARDOUS (CLASSIFIED) LOCATIONS- Edition 3 - Issue Date 2017/09/01
- UL 913 STANDARD FOR INTRINSICALLY SAFE APPARATUS AND ASSOCIATED APPARATUS FOR USE IN CLASS I, II, III, DIVISION 1, HAZARDOUS (CLASSIFIED) LOCATIONS- Edition 8 - Revision Date 2015/10/16
- CSA C22.2 NO. 60079-0 EXPLOSIVE ATMOSPHERES — PART 0: EQUIPMENT — GENERAL REQUIREMENTS- Edition 3 - Issue Date 2015/10/01
- CSA C22.2 NO. 60079-11:14 EXPLOSIVE ATMOSPHERES — PART 11: EQUIPMENT PROTECTION BY INTRINSIC SAFETY “I”- Edition 2 - Issue Date 2014/02/01

Revision date:
2019-11-21

Version Revision
V1 R0

Prepared by:
PB

Page:
1/6

LERBAKKEN 10, 8410 RØNDE DENMARK

Installation notes 9203Axxx-U9 and 9203Bxxx-U9

The module must be installed in a tool-secured enclosure suitable for the application in accordance with the National Electrical Code (ANSI/NFPA 70) for installation in the United States, the Canadian Electrical Code for installations in Canada, or other local codes, as applicable.

The module is galvanically isolated and does not require grounding.

Terminal 41, 42, 43, 44 are internally connected to CH1.

Terminal 51, 52, 53, 54 are internally connected to CH2.

Install in pollution degree 2, overvoltage category II in accordance with IEC 60664-1.

Use minimum 75 °C copper conductors with wire size AWG: (26-14)

Warning: Substitution of components may impair intrinsic safety.

Avertissement : La substitution des composants peut nuire à la sécurité intrinsèque'.

There are no serviceable parts in the equipment and no component substitution is permitted

Warning: To prevent ignition of the explosive atmospheres, disconnect power before servicing and do not separate connectors, install or remove module from Power Rail when energized and an explosive gas mixture is present.

Avertissement : Pour éviter l'inflammation d'atmosphères explosibles, déconnectez l'alimentation avant les opérations d'entretien. Ne montez pas ou n'enlevez pas les connecteurs quand le module est sous tension et en présence d'un mélange de gaz. Ne montez pas ou n'enlevez pas les modules du rail d'alimentation en présence d'un mélange de gaz.

LERBAKKEN 10, 8410 RØNDE DENMARK

Installation notes 9203Bxxx-U9:

Associated Equipment /Appareillage Associé [Ex ia]

The Ex output current of this associated apparatus is limited by a resistor such that the output voltage-current plot is a straight line drawn between open-circuit voltage and short-circuit current.

Selected intrinsically safe equipment must be third party listed as intrinsically safe for the application, and have intrinsically safe entity parameters conforming with Table 1 below.

TABLE 1:

<u>I.S. Equipment</u>		<u>Associated Apparatus</u>
V max (or Ui)	≥	Voc or Vt (or Uo)
I max (or Ii)	≥	Isc or It (or Io)
P max, Pi	≥	Po
Ci + Ccable	≤	Ca (or Co)
Li + Lcable	≤	La (or Lo)

The module may also be connected to a simple apparatus as defined in Article 504.2 and installed and temperature classified in accordance with Article 504.10(D) of the National Electrical Code (ANSI/NFPA 70), or other local codes, as applicable.

Capacitance and inductance of the field wiring from the intrinsically safe equipment to the associated apparatus shall be calculated and must be included in the system calculations as shown in Table 1. Cable capacitance, Ccable, plus intrinsically safe equipment capacitance, Ci must be less than the marked capacitance, Ca (or Co), shown on any associated apparatus used. The same applies for inductance (Lcable, Li and La or Lo, respectively). Where the cable capacitance and inductance per foot are not known, the following values shall be used: Ccable = 60 pF/ft., Lcable = 0.2 μH/ft.

Where multiple circuits extend from the same piece of associated apparatus, they must be installed in separate cables or in one cable having suitable insulation. Refer to Article 504.30(B) of the National Electrical Code (ANSI/NFPA 70) and Instrument Society of America Recommended Practice ISA RP12.06 for installing intrinsically safe equipment.

Intrinsically safe circuits must be wired and separated in accordance with Article 504.20 of the National Electrical Code (ANSI/NFPA 70) or other local codes, as applicable.

The module has not been evaluated for use in combination with another associated apparatus.

For installations in which both the Ci and Li of the intrinsically safe apparatus exceeds 1% of the Ca (or Co) and La (or Lo) parameters of the associated apparatus (excluding the cable), then 50% of Ca (or Co) and La (or Lo) parameters are applicable and shall not be exceeded. The reduced capacitance shall not be greater than 1 μF for Groups C and/or D, and 600 nF for Groups A and B. The values of Ca (or Co) and La (or Lo) determined by this method shall not be exceeded by the sum of all of Ci plus cable capacitances and the sum of all of the Li plus cable inductances in the circuit respectively.

LERBAKKEN 10, 8410 RØNDE DENMARK

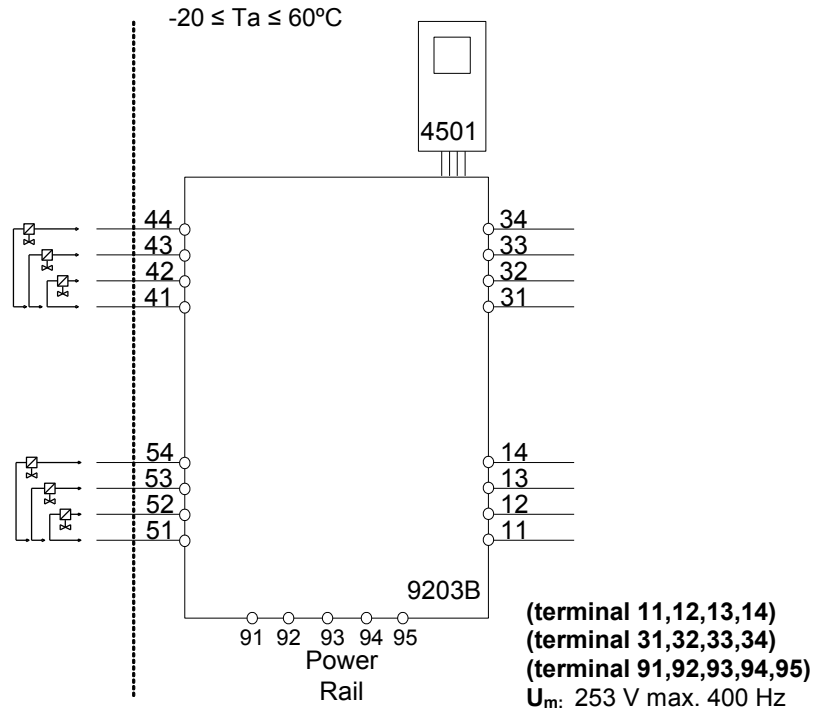
9203Bxxx-U9 Installation:

Hazardous Classified Location

Class I/II/III, Division 1, Group A,B,C,D,E,F,G
Zone 0,1, 2 Group IIC, IIB, IIA or
Zone 20, 21

**Unclassified Location or
Hazardous Classified Location**

Class I, Division 2, Group ABCD T4
Class I Zone 2 Group IIC T4



Terminal (31,32)

Supply:

Voltage 19.2 – 31.2 VDC
Power max. 3.5 W

Terminal (11,12 and 13,14)

Input:

Voltage max 28VDC
Trig: NPN Low < 2V, High > 4V
Trig: PNP Low < 8V, High > 10V

Terminal (33,34)

Status Relay:

Voltage max. 125 Vac / 110 Vdc
Current max. 0.5 Aac / 0.3 Adc

Non Hazardous location

**Class I Division 2 or
Zone 2 installation:**

32 Vac / 32 Vdc
0.5 Aac / 0.3 Adc

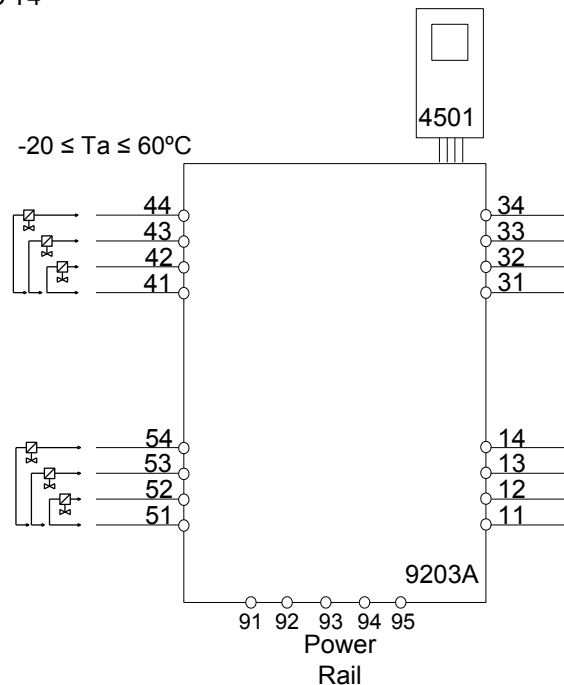
LERBAKKEN 10, 8410 RØNDE DENMARK

9203B1A-U9 9203B1B-U9 Terminal 41-42/51-52			Ca, Co	La, Lo	Lo/Ro	9203B2A-U9 Terminal 41-42			Ca, Co	La, Lo	Lo/Ro
Voc, Uo	28V	IIC or A,B	80nF	4.15mH	54μH/Ω	Voc, Uo	28V	IIC or A,B	80nF	2.69mH	44μH/Ω
Isc, Io	93 mA	IIB or C,E,F	640nF	16.6mH	218μH/Ω	Isc, Io	115mA	IIB or C,E,F	640nF	10.8mH	176μH/Ω
Po	0.65W	IIA or D,G	2.1μF	32.6mH	436μH/Ω	Po	0.81W	IIA or D,G	2.1μF	20.8mH	353μH/Ω
9203B1A-U9 9203B1B-U9 Terminal 41-43/51-53			Ca, Co	La, Lo	Lo/Ro	9203B2A-U9 Terminal 41-43			Ca, Co	La, Lo	Lo/Ro
Voc, Uo	28V	IIC or A,B	80nF	3.5mH	51μH/Ω	Voc, Uo	28V	IIC or A,B			
Isc, Io	100mA	IIB or C,E,F	640nF	14.2mH	204μH/Ω	Isc, Io	125mA	IIB or C,E,F	640nF	9.1mH	163μH/Ω
Po	0.70W	IIA or D,G	2.1μF	27.6mH	408μH/Ω	Po	0.88W	IIA or D,G	2.1μF	17.6mH	327μH/Ω
9203B1A-U9 9203B1B-U9 Terminal 41-44/51-54			Ca, Co	La, Lo	Lo/Ro	9203B2A-U9 Terminal 41-44			Ca, Co	La, Lo	Lo/Ro
Voc, Uo	28V	IIC or A,B	80nF	2.9mH	46μH/Ω	Voc, Uo	28V	IIC or A,B			
Isc, Io	110mA	IIB or C,E,F	640nF	11.8mH	184μH/Ω	Isc, Io	135mA	IIB or C,E,F	640nF	7.8mH	150μH/Ω
Po	0.77W	IIA or D,G	2.1μF	22.8mH	369μH/Ω	Po	0.95W	IIA or D,G	2.1μF	15.1mH	301μH/Ω

LERBAKKEN 10, 8410 RØNDE DENMARK

9203Axxx-U9 and 9203Bxxx-U9 Installation:

Non Hazardous area or
Class I, Division 2, Group ABCD T4
or Zone 2 Group IIC T4



Terminal (31,32)

Supply:

Voltage 19.2 – 31.2 VDC
Power max. 3.5 W

Terminal (11,12 and 13,14)

Input:

Voltage max 28VDC
Trig: NPN Low < 2V, High > 4V
Trig: PNP Low < 8V, High > 10V

Terminal (33,34)

Status Relay: Non Hazardous location

Voltage max. 125 Vac / 110 Vdc
Current max. 0.5 Aac / 0.3 Adc

**Class I Division 2
Zone 2 installation**

32 Vac / 32 Vdc
0.5 Aac / 0.3 Adc

Terminal (41..44 / 51..54)

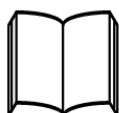
Umax 28 V
Imax 135 mA
Pmax 0.95 W

INMETRO Desenhos para Instalação



Para instalação segura do 9203B o manual seguinte deve ser observado. O módulo deve ser instalado somente por profissionais qualificados que estão familiarizados com as leis nacionais e internacionais, diretrizes e normas que se aplicam a esta área.

Ano de fabricação pode ser obtido a partir dos dois primeiros dígitos do número de série.



4501

Para a instalação na Zona 2 o seguinte deve ser observado. O módulo de programação de 4501, deve ser utilizado apenas com os módulos PRelectronics. É importante que o módulo esteja intacto e não tenha sido alterado ou modificado de qualquer maneira. Apenas os módulos 4501 livres de poeira e umidade devem ser instalados.

INMETRO Certificado DEKRA 16.0006X

Marcas 9203Bxxx

[Ex ia Ga] IIC/IIB/IIA
Ex nA nC IIC T4 Gc
[Ex ia Da] IIIC
[Ex ia Ma] I

Normas:

ABNT NBR IEC 60079-0:2013, ABNT NBR IEC60079-11:2013,
ABNT NBR IEC60079-15:2012

Type	Installation	Current Output	Channels	Input
9203	Ex-Barrier / Zone 2 :B	Low current :1	Single :A	Standard :-
			Double :B	PNP : 1
		High current :2	Single :A	NPN : 2

Notas de instalação:

Instalação em grau de poluição 2, categoria de sobretensão II conforme definido no IEC 60664-1. Os circuitos não intrinsecamente seguros só pode ser connectado para sobretensão limitado ao categoria I/II como definido na IEC 60664-1

Não separe conectores quando energizado ou quando uma mistura de gás explosivo estiver presente. Não monte ou remova módulos do trilho de alimentação quando uma mistura de gás explosivo estiver presente. Para o grupo I (minas), aplicam-se os parâmetros do grupo IIA. Desligue a alimentação antes da manutenção. A fiação de terminais sem uso não é permitida.

A fonte de Loop e terminais de entrada de corrente para o mesmo canal não deve ser aplicada ao mesmo tempo.

Em tipo de proteção [Ex ia Da] os parâmetros para a segurança intrínseca para grupo de gás IIB são aplicáveis.

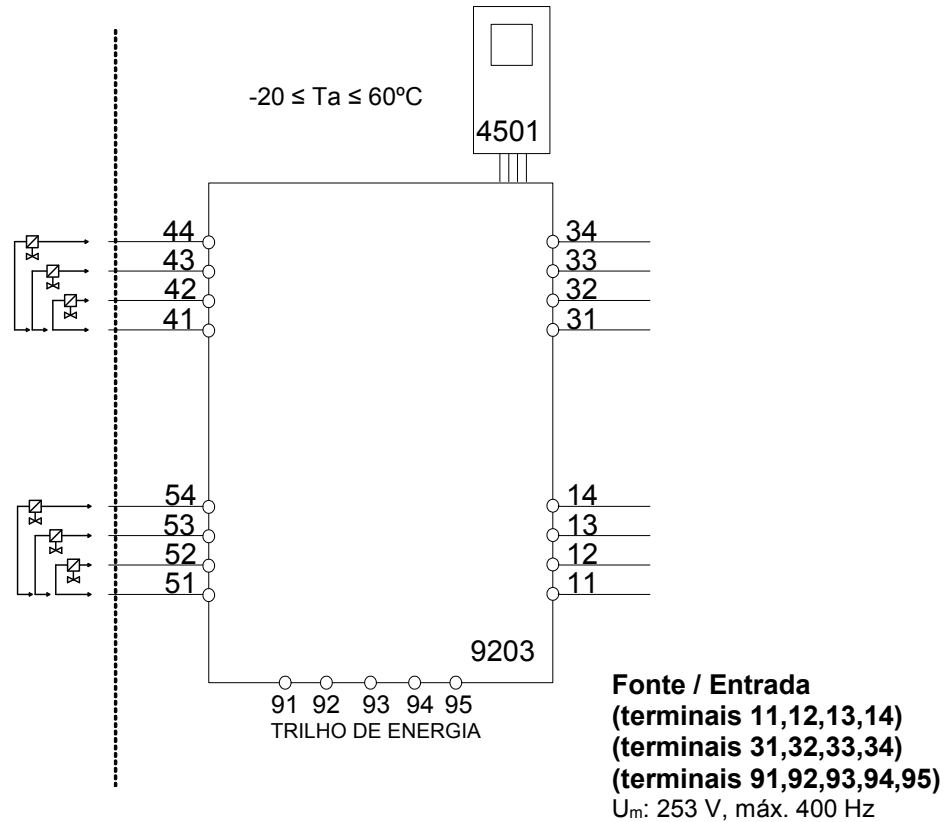
Para a instalação em Zona 2, o módulo deve ser instalado em um invólucro conformidade com o tipo de proteção 'Ex n' ou 'Ex e', fornecendo no mínimo grau de proteção IP54.

Dispositivos de entrada de cabo e elementos de vedação devem cumprir com os mesmos requisitos.

Para a instalação de trilho de energia na Zona 2, apenas o trilho de alimentação Rail 9400 fornecido pela Unidade de Controle de Potência 9410 é permitido.

Área de classificada
Zona 0, 1, 2, 20, 21 e 22

Área de não classificada
ou Zona 2



Terminal (31,32)

Fonte:

Voltagem 19,2 – 31,2 VDC
Potência máx. 3,5 W

Terminais (11,12 e 13,14)

Entrada:

Voltagem máx. 28,VDC
Gatilho: NPN Baixo < 2,V, Alto > 4,V
Gatilho: PNP Baixo < 8,V, Alto > 10,V

Terminais (33,34)

Relê de Estado:

Voltagem máx. 125 VAC / 110 VDC
Potência máx. 62,5 VA / 32 W
Corrente máx. 0,5 AAC / 0,3 ADC

Área de não classificada

Instalação Zona 2

32 VAC / 32 VDC
16 VA / 32 W
0,5 AAC / 1 ADC

LERBAKKEN 10, 8410 RØNDE DENMARK

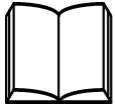
9203B1A, 9203B1B Terminais 41-42/51-52			Co	Lo	Lo/Ro	9203B2A Terminais 41-42			Co	Lo	Lo/Ro
Uo	28V	IIC	80nF	4.2mH	54μH/Ω	Uo	28V	IIC	80nF	2.69mH	44μH/Ω
Io	93 mA	IIB	640nF	16.8mH	218μH/Ω	Io	115mA	IIB	640nF	10.8mH	176μH/Ω
Po	0.65W	IIA	2.1μF	32.6mH	436μH/Ω	Po	0.81W	IIA	2.1μF	20.8mH	353μH/Ω
9203B1A, 9203B1B Terminais 41-43/51-53			Co	Lo	Lo/Ro	9203B2A Terminais 41-43			Co	Lo	Lo/Ro
Uo	28V	IIC	80nF	3.5mH	50μH/Ω	Uo	28V	IIC			
Io	100mA	IIB	640nF	14.2mH	201μH/Ω	Io	125mA	IIB	640nF	9.1mH	163μH/Ω
Po	0.70W	IIA	2.1μF	27.6mH	402μH/Ω	Po	0.88W	IIA	2.1μF	17.6mH	327μH/Ω
9203B1A, 9203B1B Terminais 41-44/51-54			Co	Lo	Lo/Ro	9203B2A Terminais 41-44			Co	Lo	Lo/Ro
Uo	28V	IIC	80nF	2.9mH	46μH/Ω	Uo	28V	IIC			
Io	110mA	IIB	640nF	11.8mH	184μH/Ω	Io	135mA	IIB	640nF	7.8mH	150μH/Ω
Po	0.77W	IIA	2.1μF	22.8mH	369μH/Ω	Po	0.95W	IIA	2.1μF	15.1mH	301μH/Ω

LERBAKKEN 10, 8410 RØNDE DENMARK

IECEx 설치도면



9203의 안전한 설치를 위해 다음 사항을 준수해야 합니다. 이 모듈은 이 지역에 적용되는 국내 및 국제 법률 지침 및 표준에 정통한 유자격자만 설치해야 합니다.
제조연도는 일련번호의 처음 두 자리입니다.



구역 2 / 다전 2에 설치하려면 다음 사항을 준수해야 합니다.
4501 프로그래밍 모듈은 PR 제품의 모듈과 함께 사용해야 합니다. 모듈이 손상되지 않았고, 어떤 식으로든 변경 또는 수정되지 않는 것이 중요합니다. 먼지와 습기가 없는 상태에서 4501 모듈을 설치해야 합니다.

IECEx 인증서	IECEx KEM 09.0001X
마킹 9203Bxxx	[Ex ia Ga] IIC/IIB/IIA [Ex ia Da] IIIC [Ex ia Ma] I
마킹 9203Bxxx , 9203Axxx	Ex ec nC IIC T4 Gc
표준	IEC60079-0:2017, IEC60079-11:2011, IEC60079-15:2017, IEC60079-7:2015+A1:2017

유형	설치	전류 출력	채널	입력
9203	비Ex / 구역2 : A	저전류 : 1	단일 : A	표준 : -
	Ex 배리어 / 구역2 : B	고전류 : 2	이중 : B	PNP : 1
			단일 : A	NPN : 2

설치참고사항

IEC60664-1에 정의된 대로 오염 등급 2, 과전압 범주 II에 설치하십시오.
전원이 공급되고 폭발성 가스 혼합물이 있는 경우, 케이블을 분리하지 마십시오.
폭발성 가스 혼합물이 있는 경우, 파워 레일에 모듈을 장착하거나 제거하지 마십시오.
수리하기 전에 전원을 분리하십시오.
사용하지 않는 단자의 배선은 허용되지 않습니다.
보호 유형 [Ex ia Da]에서는 가스 그룹 IIB의 본질 안전 매개변수를 적용할 수 있습니다.

구역 2에 설치하는 경우, 모듈을 보호 유형 Ex n 또는 Ex e 인 인클로저에 설치하고, 최소한 IP54의 보호 수준을 제공해야 합니다. 케이블 인입 장치와 밀폐 요소는 동일한 요구 사항을 충족해야 합니다.

구역 2의 파워 레일에 설치하는 경우, 전력 제어 장치 유형 9410 (IECEx 적합성 인증서 IECEx KEM 08.0025X)의 공급을 받는 파워 레일 유형 9400만 허용됩니다.

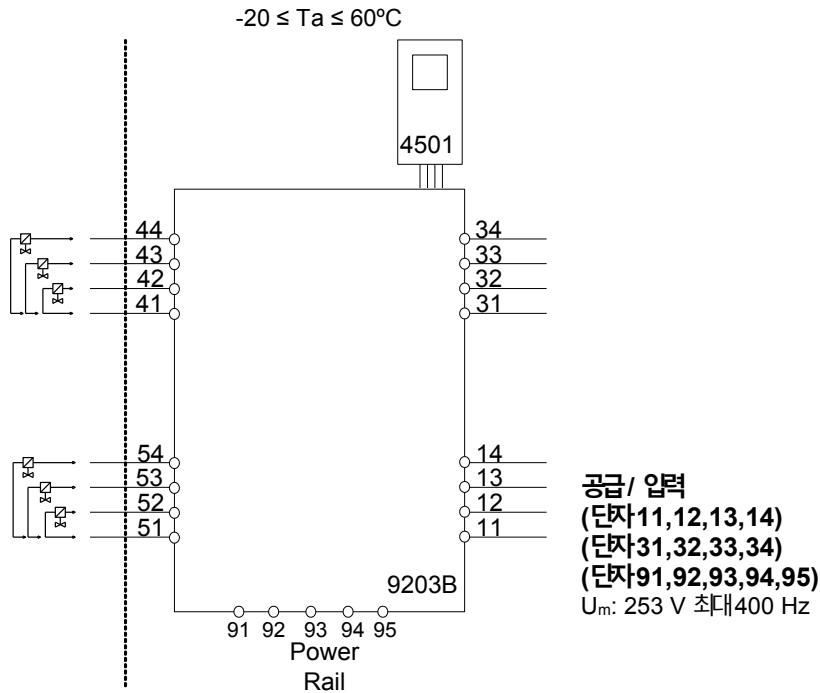
개정일	버전 개정	제작	페이지
2021년 05월 31일	V7 R0-KR01	PB	1/4

LERBAKKEN 10, 8410 RØNDE DENMARK

9203Bxxx 설치

위험지역
구역0, 1, 2, 20, 21, 22 또는 구역2

비위험지역



단자(31,32)
공급
전압 19.2 – 31.2 VDC
최대출력 3.5 W

단자(11,12 및13,14)
입력
최대전압 28 VDC
트러거 NPN 낮음 < 2 V, 높음 > 4 V
트러거 PNP 낮음 < 8 V, 높음 > 10 V

단자(33,34)
상태 릴레이
최대전압 125 VAC / 110 VDC
최대출력 62.5 VA / 32 W
최대전류 0.5 AAC / 0.3 ADC

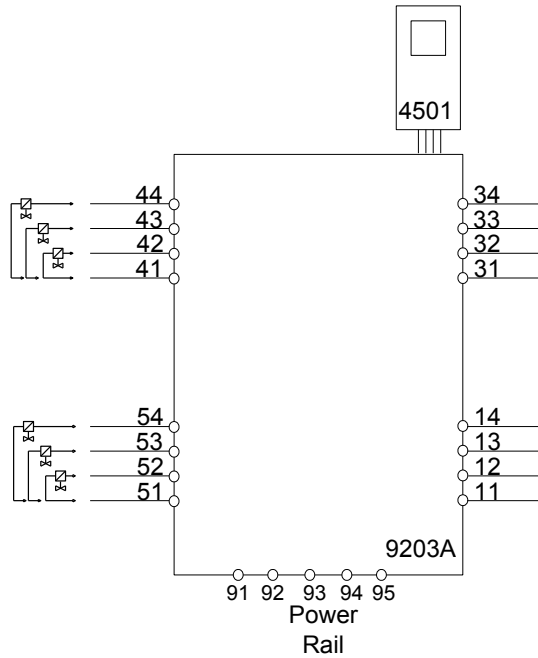
구역2 설치
32 VAC / 32 VDC
16 VA / 32 W
0.5 AAC / 1 ADC

LERBAKKEN 10, 8410 RØNDE DENMARK

9203B1A, 9203B1B 단자41-42/51-52			Co	Lo	Lo/Ro	9203B2A 단자41-42			Co	Lo	Lo/Ro
Uo	28V	IIC	80nF	4.2mH	54μH/Ω	Uo	28V	IIC	80nF	2.69mH	44μH/Ω
Io	93 mA	IIB	640nF	16.8mH	218μH/Ω	Io	115mA	IIB	640nF	10.8mH	176μH/Ω
Po	0.65W	IIA	2.1μF	32.6mH	436μH/Ω	Po	0.81W	IIA	2.1μF	20.8mH	353μH/Ω
		I	3.76μF	32.6mH	436μH/Ω			I	3.76μF	20.8mH	353μH/Ω
9203B1A, 9203B1B 단자41-43/51-53			Co	Lo	Lo/Ro	9203B2A 단자41-43			Co	Lo	Lo/Ro
Uo	28V	IIC	80nF	3.5mH	54μH/Ω	Uo	28V	IIC			
Io	100mA	IIB	640nF	14.2mH	218μH/Ω	Io	125mA	IIB	640nF	9.1mH	163μH/Ω
Po	0.70W	IIA	2.1μF	27.6mH	436μH/Ω	Po	0.88W	IIA	2.1μF	17.6mH	327μH/Ω
		I	3.76μF	27.6mH	436μH/Ω			I	3.76μF	17.6mH	327μH/Ω
9203B1A,9203B1B 단자41-44/51-54			Co	Lo	Lo/Ro	9203B2A 단자41-44			Co	Lo	Lo/Ro
Uo	28V	IIC	80nF	2.9mH	46μH/Ω	Uo	28V	IIC			
Io	110mA	IIB	640nF	11.8mH	184μH/Ω	Io	135mA	IIB	640nF	7.8mH	150μH/Ω
Po	0.77W	IIA	2.1μF	22.8mH	369μH/Ω	Po	0.95W	IIA	2.1μF	15.1mH	301μH/Ω
		I	3.76μF	22.8mH	369μH/Ω			I	3.76μF	15.1mH	301μH/Ω

LERBAKKEN 10, 8410 RØNDE DENMARK

9203Axxx 설치
비분류 지역 또는 구역2



단자(31,32)
공급
전압 19.2 – 31.2 VDC
최대 출력 3.5 W

단자(11,12 및 13,14)
입력
최대 전압 28 VDC
트러거 NPN 낮음 < 2 V, 높음 > 4 V
트러거 PNP 낮음 < 8 V, 높음 > 10 V

단자(33,34)
상태 릴레이
비유험 장소
최대 전압 125 VAC / 110 VDC
최대 출력 62.5 VA / 32 W
최대 전류 0.5 AAC / 0.3 ADC

구역2 설치
32 VAC / 32 VDC
16 VA / 32 W
0.5 AAC / 1 ADC

단자(41...44 / 51...54)
최대 전압 28 V
최대 전류 135 mA
최대 출력 0.95 W

Document history

The following list provides notes concerning revisions of this document.

Rev. ID	Date	Notes
106	1707	Specifications for max. required power added. New INMETRO certificate and installation drawing.
107	1735	Connection drawings and block diagram updated.
108	1914	CCOE approval discontinued.
109	1949	Variant with UL 913 approval added. New FM certificate and installation drawing.
110	2103	CCC approval added. Routing diagram updated.
111	2317	ATEX and IECEx approvals updated - Ex nA changed to Ex ec. UKEX approval added. Variant with Korean KCs approval added.

We are near you, *all over the world*

Our trusted red boxes are supported wherever you are

All our devices are backed by expert service and a 5-year warranty. With each product you purchase, you receive personal technical support and guidance, day-to-day delivery, repair without charge within the warranty period and easily accessible documentation.

We are headquartered in Denmark, and have offices and authorized partners the world over. We are a local

business with a global reach. This means that we are always nearby and know your local markets well. We are committed to your satisfaction and provide PERFORMANCE MADE SMARTER all around the world.

For more information on our warranty program, or to meet with a sales representative in your region, visit prelectronics.com.

Benefit today from *PERFORMANCE MADE SMARTER*

PR electronics is the leading technology company specialized in making industrial process control safer, more reliable and more efficient. Since 1974, we have been dedicated to perfecting our core competence of innovating high precision technology with low power consumption. This dedication continues to set new standards for products communicating, monitoring and connecting our customers' process measurement points to their process control systems.

Our innovative, patented technologies are derived from our extensive R&D facilities and from having a great understanding of our customers' needs and processes. We are guided by principles of simplicity, focus, courage and excellence, enabling some of the world's greatest companies to achieve PERFORMANCE MADE SMARTER.