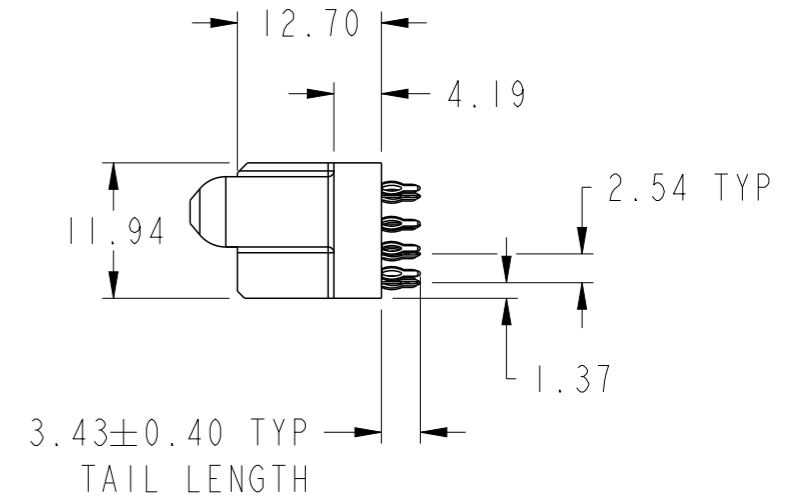
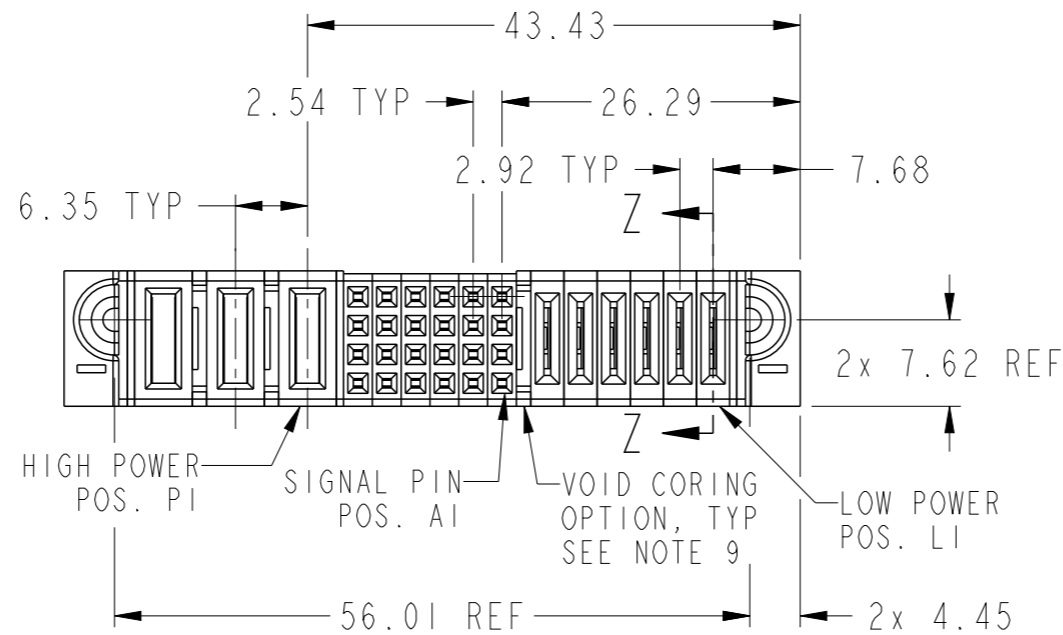
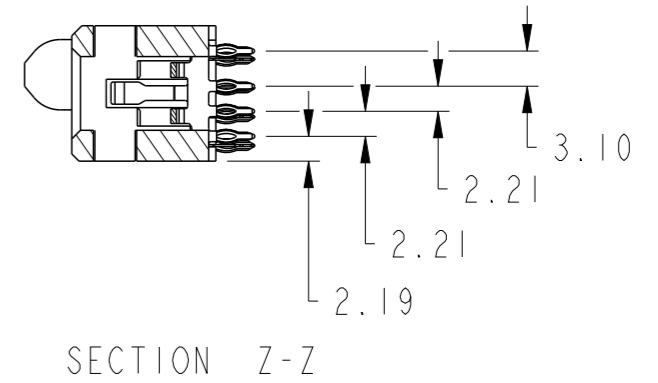
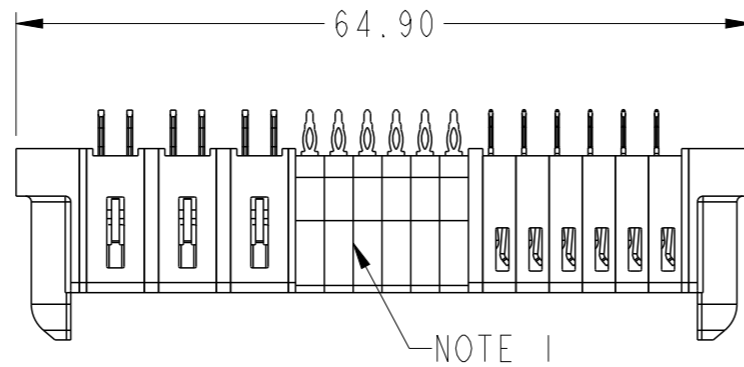
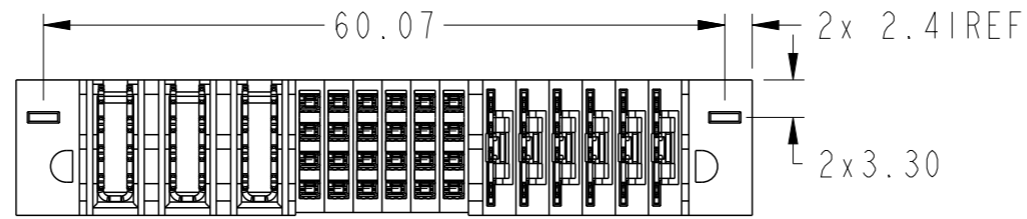


PRODUCT NUMBER SEE SHEET 2



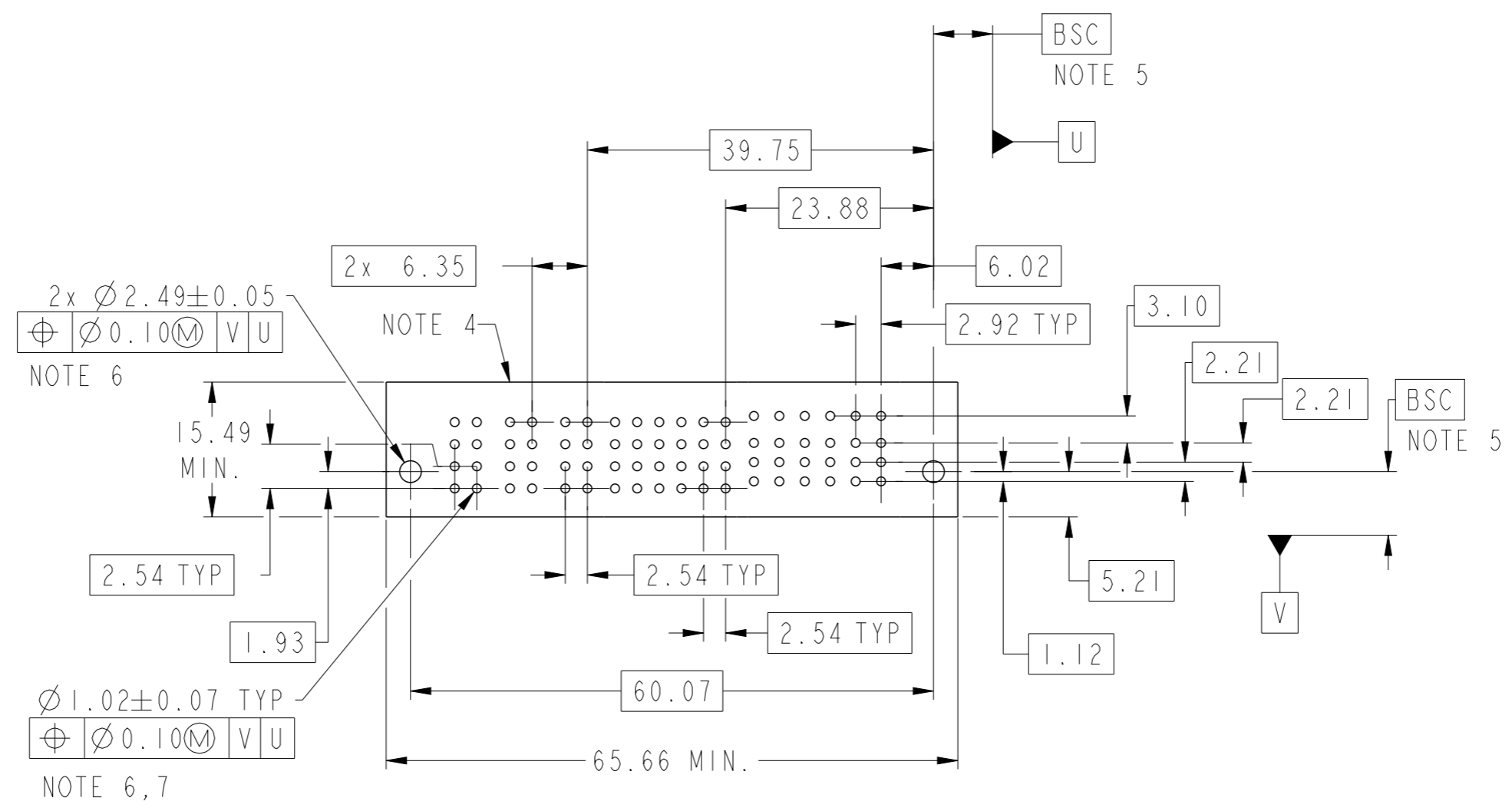
spec ref		dr	Rainbow Zhan	2015/05/17	projection	MM	size	A3	scale	3:2	
tolerance std		eng	Zhen-Hua Liu	2015/05/29			ecn no		-		
ASME Y14.5		chr	Fancy Zhang	2015/05/28			rel level		Released		
TOLERANCES UNLESS OTHERWISE SPECIFIED		appr	Pei-Ming Zheng	2015/05/29	product family		PowerBlade+		-		
surface		linear	0.X	±0.50		6LP + 24S + 3HP		dwg no	10106269-3606001		rev
			0.XX	±0.25							
0.XXX	±0.10										
ASME Y14.5	angular	0°	±2°	www.fci.com	cat. no.	Product - Customer Drw		sheet 1 of 3			



Copyright FCI.

PRODUCT NO.	ROWS	HP			SIGNAL						LP						E1	E2												
		P9	P8	P7	6	5	4	3	2	1	P6	P5	P4	P3	P2	P1														
10106269-3606001LF	DCBA	HG	HG	HG	F	F	F	F	F	F	F	F	F	F	F	F	F	F	F	F	F	F	F	F	F	F	F	F		

CODE	DESCRIPTION
F	STD SIGNAL CONTACT
HG	STD HIGH POWER CONTACT (3.43)
LT	STD LOW POWER CONTACT (3.43)



Copyright FCI.

dr	Rainbow Zhan	2015/05/17	projection 	MM	size	A3	scale	3:2
eng	Zhen-Hua Liu	2015/05/29			ecn no	-		
chr	Fancy Zhang	2015/05/28			product family	PowerBlade+	rel level	Released
appr	Pei-Ming Zheng	2015/05/29				6LP + 24S + 3HP VT PF RECEPTACLE	dwg no 10106269-3606001	rev A
www.fci.com			cat. no.	Product - Customer Drw		sheet 2 of 3		

A

B

C

D

A

B

C

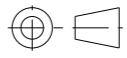
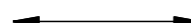

D

NOTES:

- 1) "FCI", PART NUMBER AND DATE CODE TO BE MARKED ON THIS SURFACE.
THE MARK CAN BE OMITTED IF THERE IS NOT ENOUGH SPACE ON THIS SURFACE.
- 2) MATERIALS:
-HOUSING - GLASS FILLED WITH HIGH TEMP THERMOPLASTIC, UL94V-0.
-SIGNAL CONTACT - COPPER ALLOY.
-POWER CONTACT - HIGH CONDUCTIVITY COPPER ALLOY.
- 3) PLATING SPECIFICATION : 10116351
- 4) DENOTES CONNECTOR KEEP OUT ZONE.
- 5) DATUM AND BASIC DIMENIONS WERE ESTABLISHED BY CUSTOMER.
- 6) ALL HOLE DIAMETERS ARE FINISHED HOLE SIZES.
- 7) 1.15 ± 0.025 MM DRILLED HOLE PLATED WITH 0.00762MM MIN Sn
OVER 0.0254-0.0762MM Cu PLATING TO ACHIEVE A 1.02 ± 0.07 MM HOLE.
- 8) PRODUCT SPECIFICATION : FCI GS-12-658.
APPLICATION SPECIFICATION : FCI GS-20-141.
PRODUCT PACKAGE SPECIFICATION : FCI GS-14-1502.
- 9) THE VOID CORING IN BETWEEN POWER MODULES, SIGNAL
MODULES AND END MODULES ARE OPTIONAL AND THE SHAPE
MAY BE DIFFERENT FOR OPTIMIZE THE MOLDING PROCESS. THE
VOID CORING WILL NOT EFFECT TO PRODUCT FUNCTION.



Copyright FCI.

dr	Rainbow Zhan	2015/05/17	projection 	MM 	size	A3	scale	1:1
eng	Zhen-Hua Liu	2015/05/29			ecn no	-		
chr	Fancy Zhang	2015/05/28			product family	PowerBlade+	rel level	Released
appr	Pei-Ming Zheng	2015/05/29					6LP + 24S + 3HP VT PF RECEPTACLE	dwg no 10106269-3606001
www.fci.com			cat. no.	Product - Customer Drw		sheet 3 of 3		