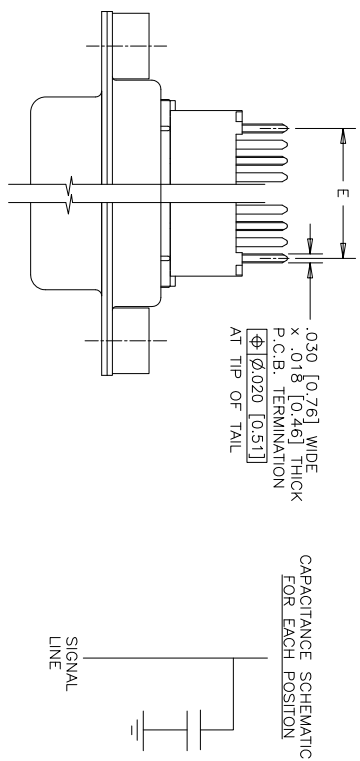


REV.	ECN. ERN NO.	DATE	APPRD.
D	PRODUCT DRAWING (EAR 14498)	NOV11/16	K.L.

REV.	ECN. ERN NO.	DATE	APPRD.
D	PRODUCT DRAWING (EAR 14498)	NOV11/16	K.L.



ORDERING CODE: F C E 1 7 - E 0 9 P N - 2 E 0 G

SERIES = FILTERED D-SUB, ROHS
 FCE17 = FILTERED D-SUB, ROHS
 SIZE/NUMBER OF CONTACTS
 E09, A15, B25, OR C37
 CONNECTOR STYLE
 P=PIN
 S=SOCKET

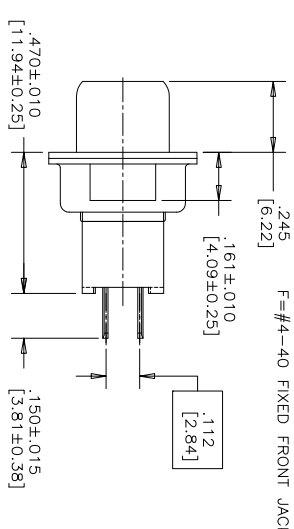
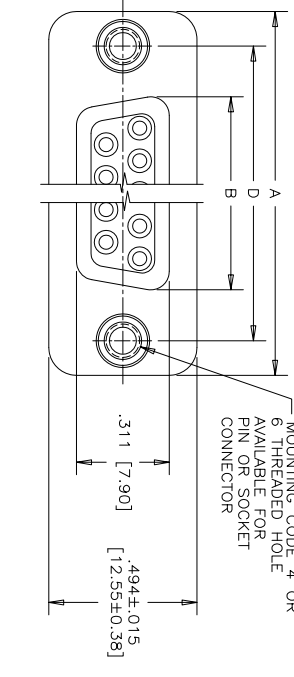
TERMINATION TYPE
 N=VERTICAL MOUNT PC TAIL
 .470 [11.94] FLANGE TO BOARD

CONTACT FINISH/GOLD THICKNESS
 NO DIGIT = STANDARD 15 MICRONS
 [0.38 MICRONS] GOLD ON MATING AREA
 G=50 MICRONS [1.27 MICRONS]
 GOLD ON MATING AREA
 K=30 MICRONS [0.76 MICRONS]
 GOLD ON MATING AREA

MODIFIER
 0=STANDARD

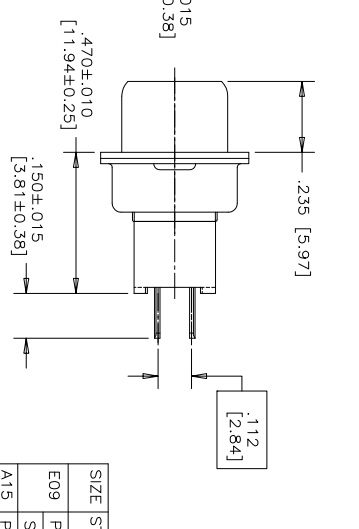
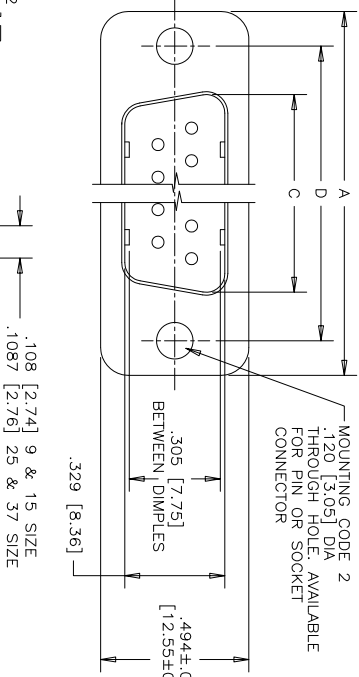
FILTER CAPACITANCE
 B=50 pF
 D=100 pF
 F=1200 pF
 G=180 pF
 H=330 pF
 J=1500 pF
 L=380 pF
 M=2200 pF
 N=470 pF
 P=5600 pF
 Q=47000 pF
 R=NO FILTERS

REFER TO AMPHENOL CATALOGUE FOR FILTER PERFORMANCE CHARACTERISTICS



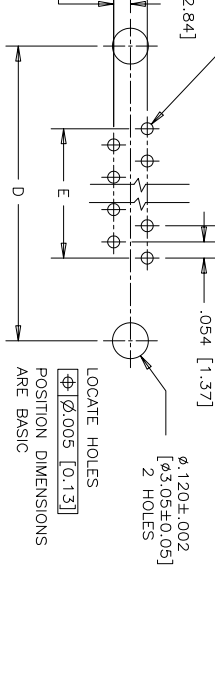
NOTES:

- 1) MATERIALS: ALL MATERIALS ARE ROHS COMPLIANT.
 - SHELL: STEEL, TIN PLATED
 - CONTACTS: PHOSPHOR BRONZE, GOLD PLATED OVER 50µ [1.27 MICRONS] NICKEL IN THE MATING AREA AND 100µ [2.54 MICRONS] MIN. MATTE TIN ON THE TAILS.
 - INSULATOR: ENGINEERING THERMOPLASTIC, GLASS REINFORCED, UL FLAMMABILITY RATING 94V-0, COLOUR: BLACK
 - BOARDLOCK: COPPER ALLOY, TIN PLATED.
 - MOUNTING HARDWARE: STEEL OR COPPER ALLOY, TIN OR NICKEL PLATED.
- 2) CONTACT RESISTANCE: 15 MILLIOHMS MAXIMUM
- 3) INSULATION RESISTANCE: 3000 MEGOHMS MINIMUM
- 4) CURRENT RATING: 5 AMPS MAXIMUM
- 5) OPERATING TEMPERATURE: -40°C TO 85°C
- 6) TOLERANCE ±.005 [0.13] UNLESS INDICATED OTHERWISE.



NOTES:

- 1) MATERIALS: ALL MATERIALS ARE ROHS COMPLIANT.
 - SHELL: STEEL, TIN PLATED
 - CONTACTS: PHOSPHOR BRONZE, GOLD PLATED OVER 50µ [1.27 MICRONS] NICKEL IN THE MATING AREA AND 100µ [2.54 MICRONS] MIN. MATTE TIN ON THE TAILS.
 - INSULATOR: ENGINEERING THERMOPLASTIC, GLASS REINFORCED, UL FLAMMABILITY RATING 94V-0, COLOUR: BLACK
 - BOARDLOCK: COPPER ALLOY, TIN PLATED.
 - MOUNTING HARDWARE: STEEL OR COPPER ALLOY, TIN OR NICKEL PLATED.
- 2) CONTACT RESISTANCE: 15 MILLIOHMS MAXIMUM
- 3) INSULATION RESISTANCE: 3000 MEGOHMS MINIMUM
- 4) CURRENT RATING: 5 AMPS MAXIMUM
- 5) OPERATING TEMPERATURE: -40°C TO 85°C
- 6) TOLERANCE ±.005 [0.13] UNLESS INDICATED OTHERWISE.



SIZE	STYLE	A±.015 [0.38]	B±.005 [0.13]	C±.005 [0.13]	D±.005 [0.13]	E BSC.
E09	PIN	1.213 [30.81]	.643 [16.33]	.666 [16.92]	.964 [24.99]	4.32 [110.97]
A15	PIN	1.541 [39.14]	.971 [24.66]	.994 [25.25]	1.312 [33.32]	7.56 [192.0]
B25	PIN	2.088 [53.04]	1.511 [38.38]	1.534 [38.96]	1.852 [47.04]	1.304 [33.12]
C37	PIN	2.729 [69.32]	2.159 [54.84]	2.182 [55.42]	2.500 [63.50]	1.956 [49.68]



THIS DOCUMENT CONTAINS PROPRIETARY INFORMATION AND SUCH INFORMATION MAY NOT BE DISCLOSED TO OTHERS FOR ANY PURPOSE OR USED FOR MANUFACTURING PURPOSES WITHOUT WRITTEN PERMISSION FROM AMPHENOL CANADA CORP.

SEE SHEET 2 FOR ADDITIONAL MOUNTING OPTIONS

RECOMMENDED P.C.B. LAYOUT (COMPONENT SIDE OF BOARD)

LOCATE HOLES POSITION DIMENSIONS ARE BASIC

RECOMMENDED P.C.B. LAYOUT (COMPONENT SIDE OF BOARD)

SEE SHEET 2 FOR ADDITIONAL MOUNTING OPTIONS

Amphenol Canada Corp.

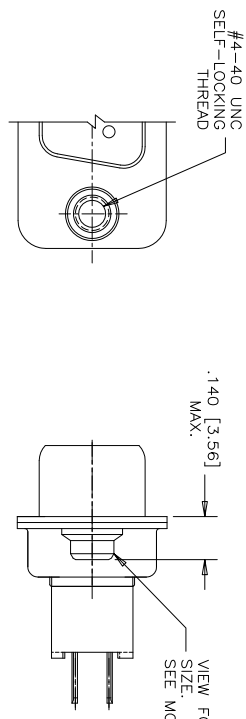
FCF17 SERIES FILTERED D-SUB CONNECTOR, PIN & SOCKET, VERTICAL MOUNT P.C.B. TAIL, .470 [11.94] FLANGE TO BOARD, ROHS COMPLIANT

DWG. DRAWING NO. P-FCE17-XXXXN-XXOX

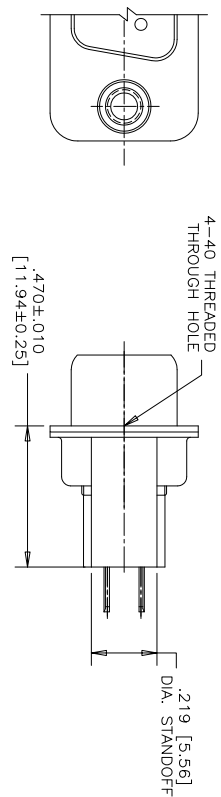
SCALE 3/1 WT. SURF. SHEET 1 of 2

ADDITIONAL MOUNTING OPTIONS AVAILABLE
FOR PIN OR SOCKET CONNECTOR

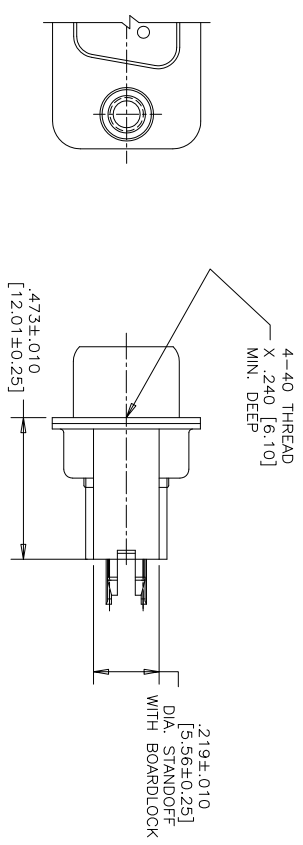
REVISONS		ECN, ERN NO.	DATE	APPRD.
REV	D	PRODUCT DRAWING (EAR 14498)	NOV11/16	K.L.



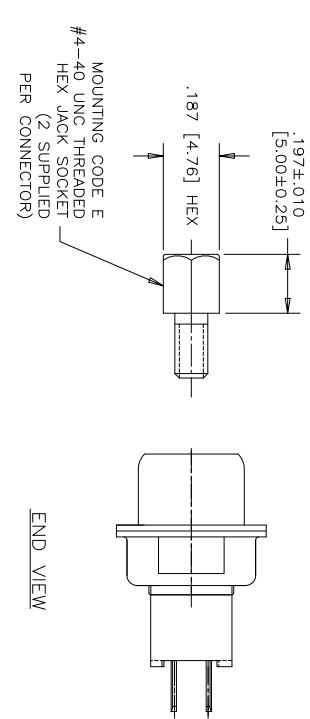
PARTIAL FRONT VIEW
MOUNTING CODE 3
END VIEW



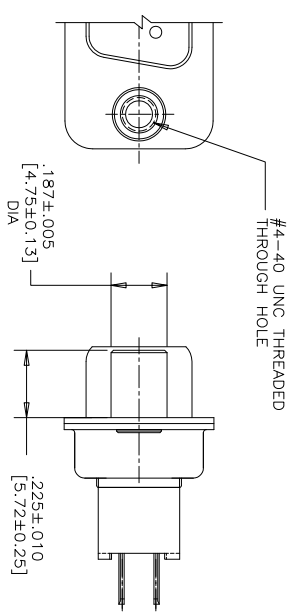
PARTIAL FRONT VIEW
MOUNTING CODE 5
END VIEW



PARTIAL FRONT VIEW
MOUNTING CODE A
END VIEW



PARTIAL FRONT VIEW
MOUNTING CODE E
END VIEW



PARTIAL FRONT VIEW
MOUNTING CODE F
END VIEW



DRAWN	A.CHENG	DATE	JAN12/06
DESIGNED	K.LAMBLE	DATE	JAN12/06
CHECKED	K.LAMBLE	DATE	JAN12/06
I. E. APPRD.			
Q. A. APPRD.			
DWG. APPRD.			
ENG. REL. NO.			
REF.	EAR 12900		
DIMENSIONS ARE IN INCHES (mm)	CODE ID, NO		03554
SCALE	3/1	WT.	
SURF.		SHEET	2 OF 2

Amphenol Canada Corp.

FCCE17 SERIES FILTERED D-SUB CONNECTOR,
PIN & SOCKET, VERTICAL MOUNT P.C.B. TAIL,
.470 [11.94] FLANGE TO BOARD, ROHS COMPLIANT

DWG DRAWING NO. P-FCCE17-XXXXN-XXXX

THIS DOCUMENT CONTAINS PROPRIETARY INFORMATION AND SUCH INFORMATION MAY NOT BE DISCLOSED TO OTHERS FOR ANY PURPOSE OR USED FOR MANUFACTURING PURPOSES WITHOUT WRITTEN PERMISSION FROM AMPHENOL CANADA CORP.