

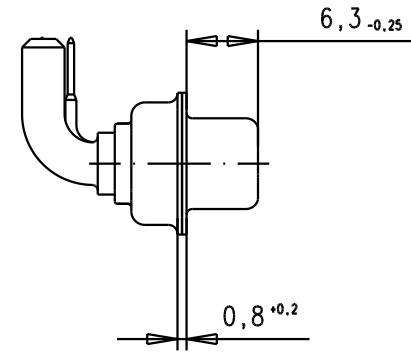
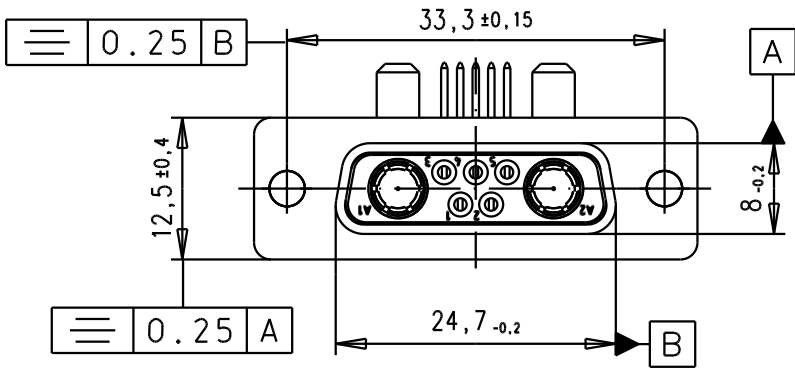
5

4

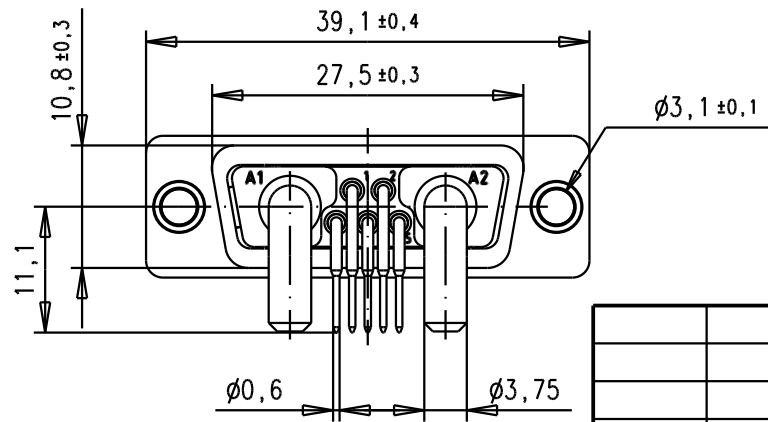
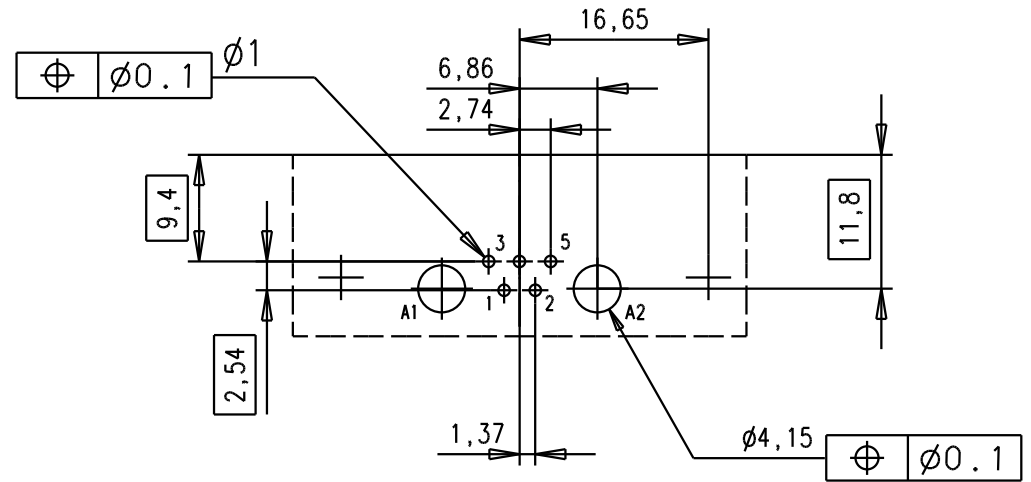
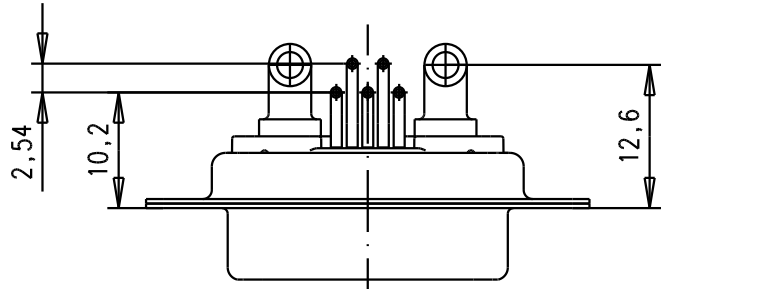
3

2

1



PCB hoe pattern, mounting side



			Dat.	Name	 All Dim. in mm Orig. Size DIN A 4	Maßstab/ Scale 1.5:1	
			Detail.	05-AUG-03			TCP
			Insp.				
			Stand.				
31531	05-AUG-03	TCP	HARTING EURL F-95972 Paris			 TB 09692009050	Blatt/ Page 1 /
Mod.	Dat.	Name					