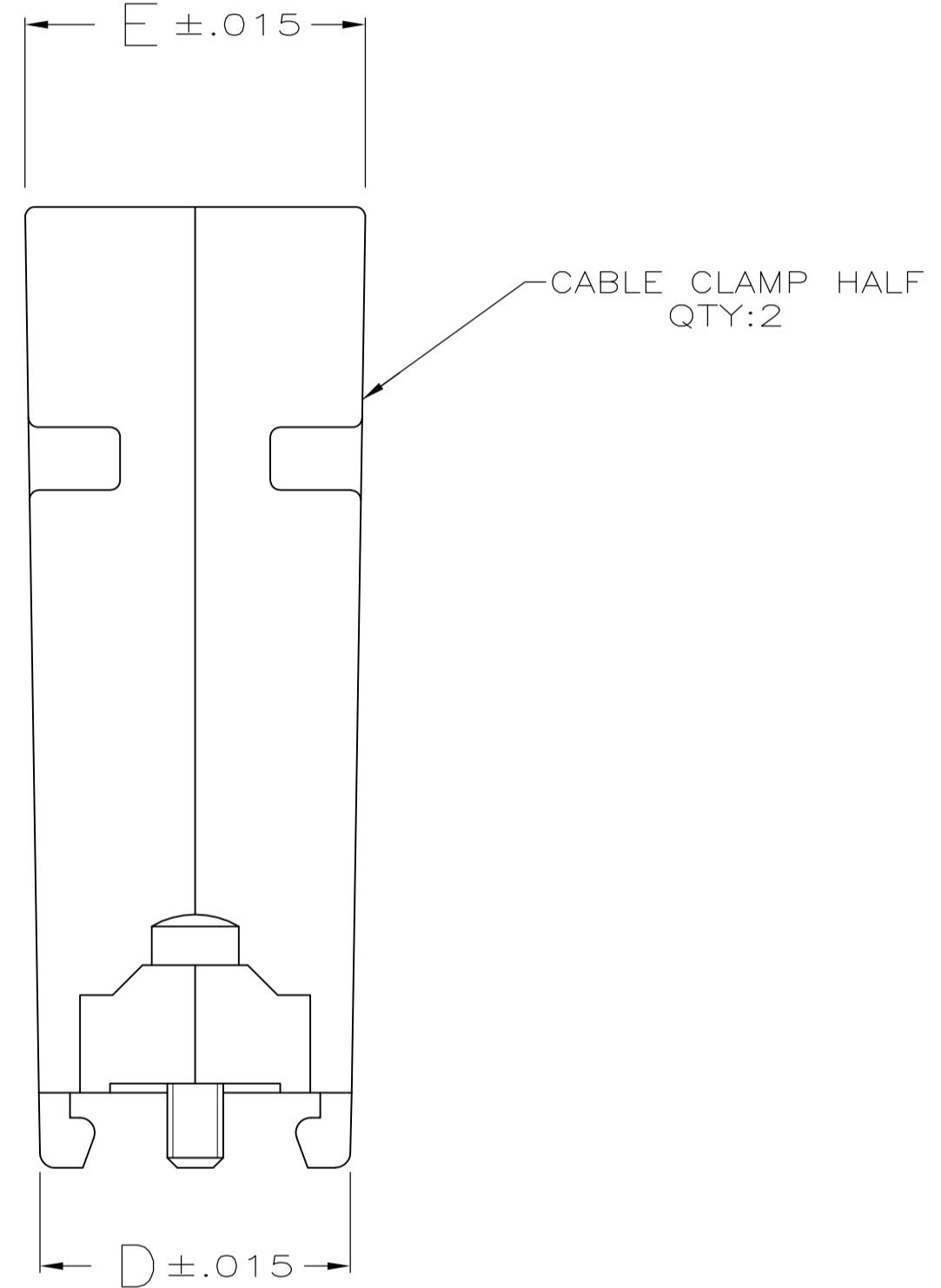
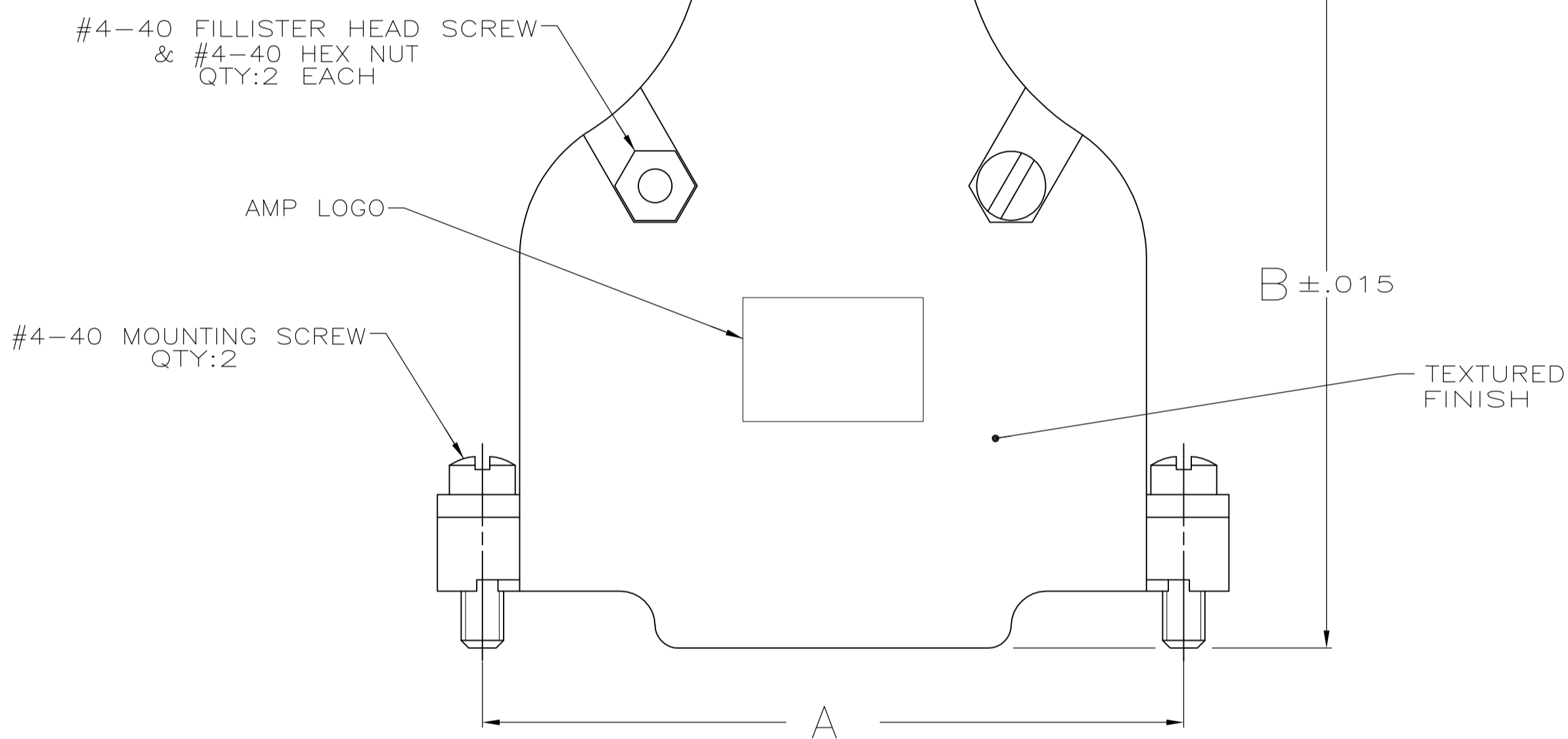
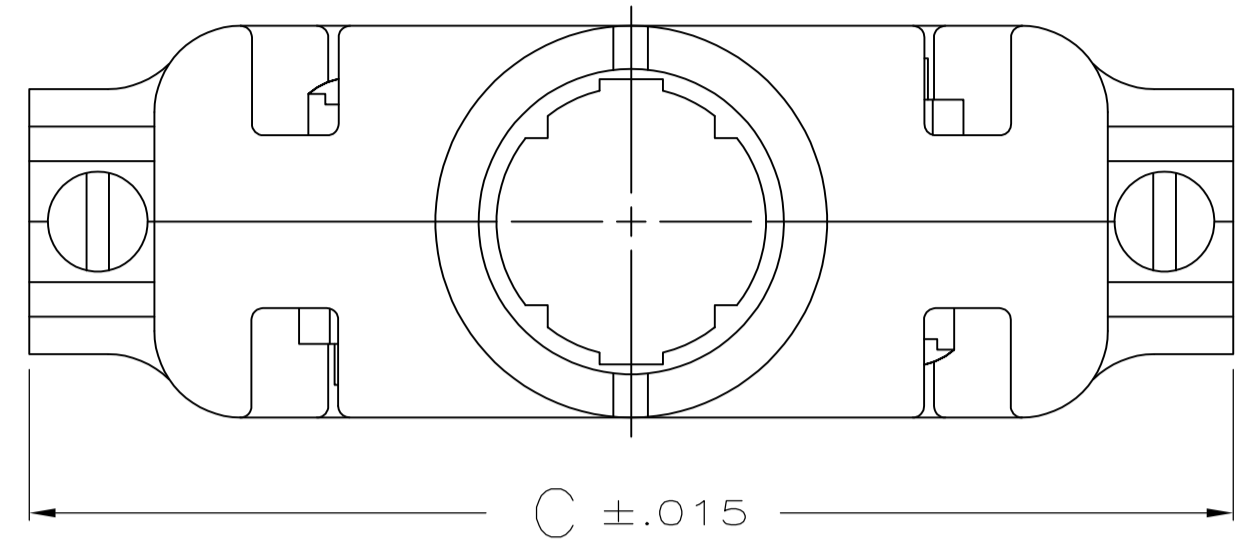
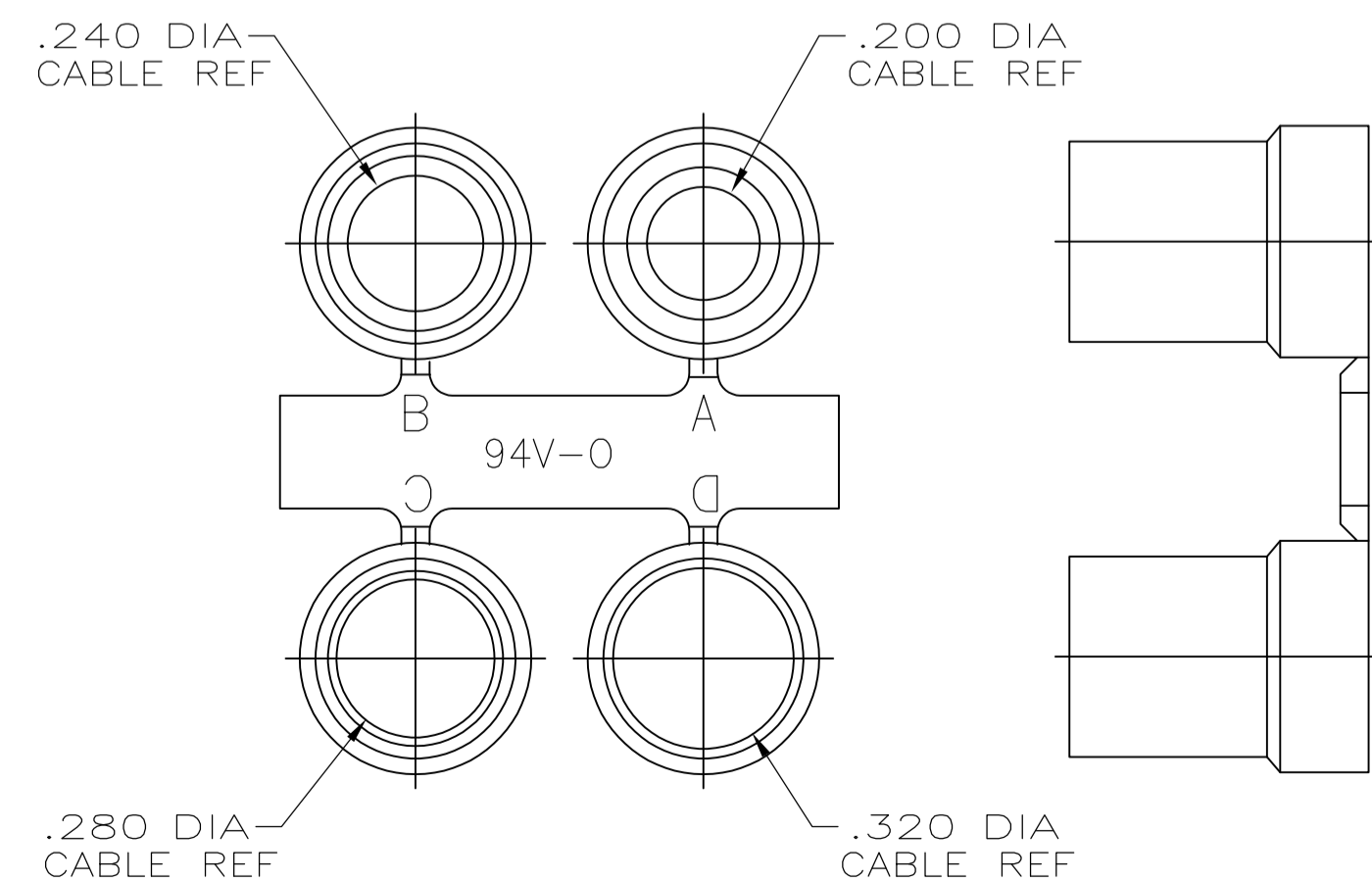


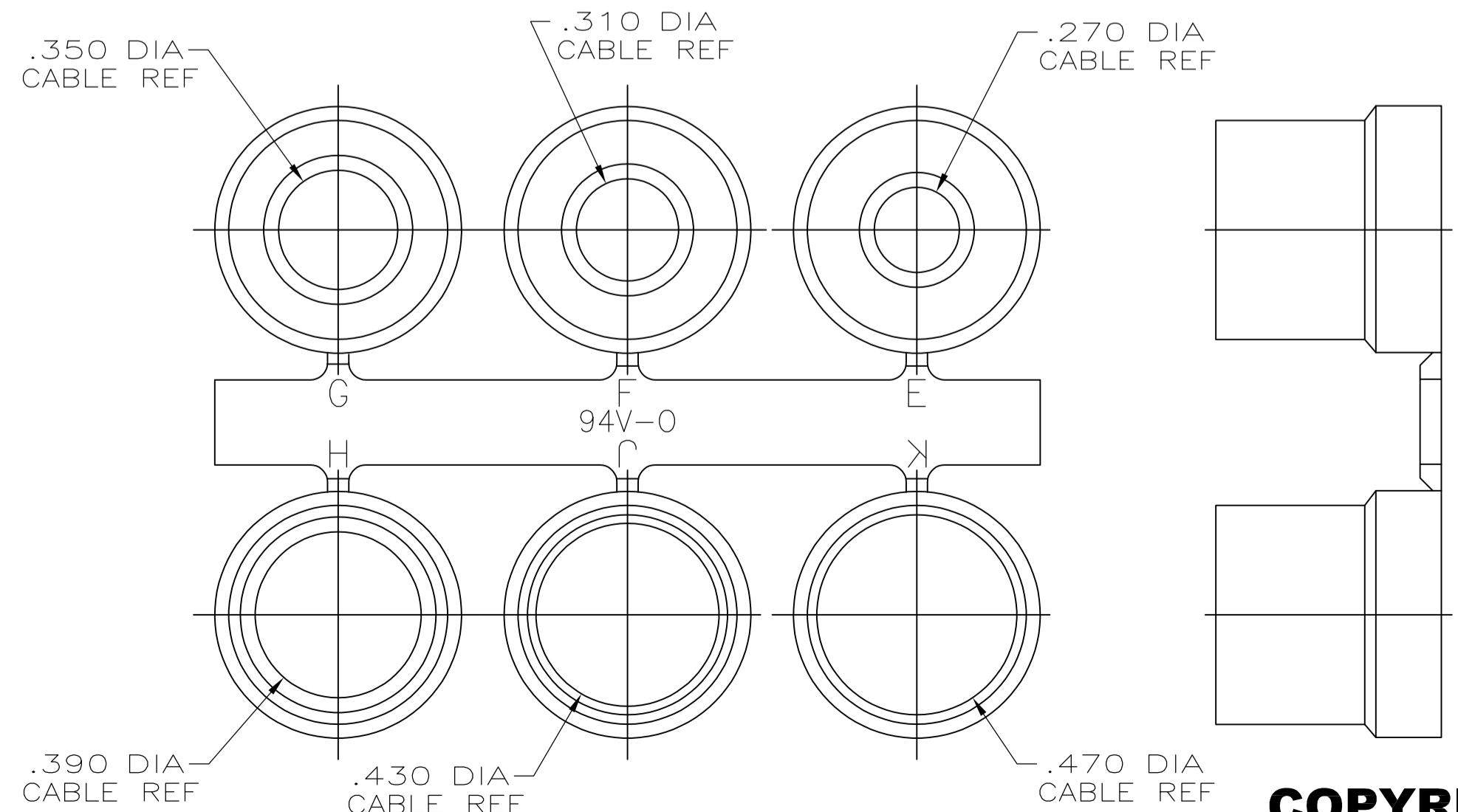
LOC		DIST		REVISIONS				
GP	00	REV	DATE	BY	CHK	APPV		
A1	REVISED PER ECO-11-004835	11MAR11	RK	HMR				



1. PARTS PACKAGED UNASSEMBLED AS A UNIT KIT.
2. CABLE CLAMP HALVES: ZINC ALLOY, FILLISTER HEAD SCREWS, HEX NUTS & MOUNTING SCREWS: STEEL  
GROMMETS: FLEXIBLE PVC, UL 94V-0 RATED, COLOR: BLACK.
3. CABLE CLAMP HALVES: NICKEL OVER COPPER, FILLISTER HEAD SCREWS, HEX NUTS & MOUNTING SCREWS: ZINC PLATED .000200-.000400 THICK, CLEAR CHROMATE COATING.
4. OBSOLETE



GROMMET ASSORTMENT FOR SIZES 1 & 2 ONLY



GROMMET ASSORTMENT FOR SIZES 3, 4 & 5 ONLY

SIZE	CAGE CODE	DRAWING NO	RESTRICTED TO
A1	00779	C=5748676	

DIMENSIONS:		TOLERANCES UNLESS OTHERWISE SPECIFIED:		APPROVED		DATE		NAME	
INCHES		0. PLC	± .005	D. HENNY	8-17-05	TE Connectivity			
		1. PLC	± .005	C. ROHDE	8-17-05	KIT, CABLE CLAMP, 180 DEG EXIT, W/GROMMETS, AMPLIMITE SERIES			
		2. PLC	± .005	M. WALMSLEY	8-17-05				
		3. PLC	± .005						
		4. PLC	± .005						
		ANGLES	± .005						
MATERIAL		FINISH		WEIGHT		SCALE		SHEET	
						1:1		1 OF 1	

**COPYRIGHT 2005  
TE CONNECTIVITY CORP  
ALL RIGHTS RESERVED**

# Mouser Electronics

Authorized Distributor

Click to View Pricing, Inventory, Delivery & Lifecycle Information:

[TE Connectivity:](#)

[5748676-5](#)