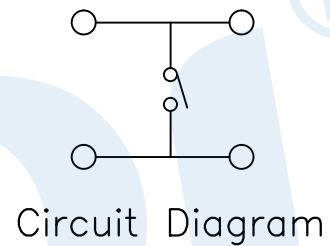
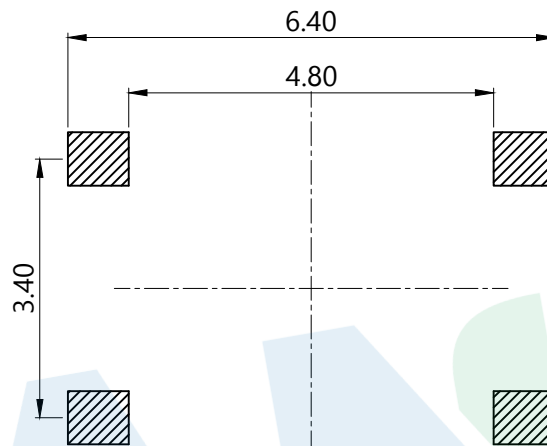
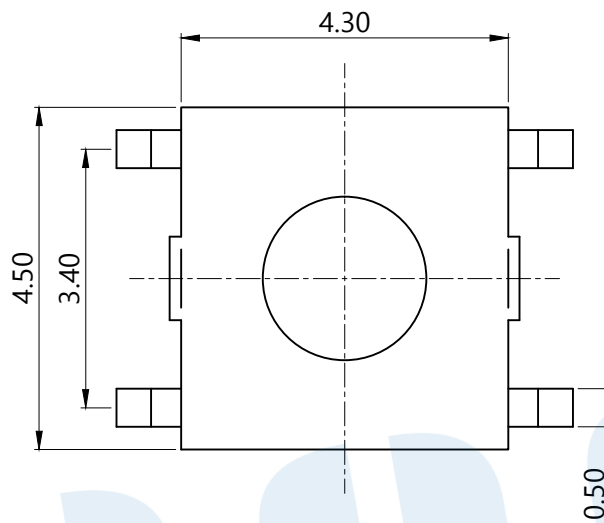
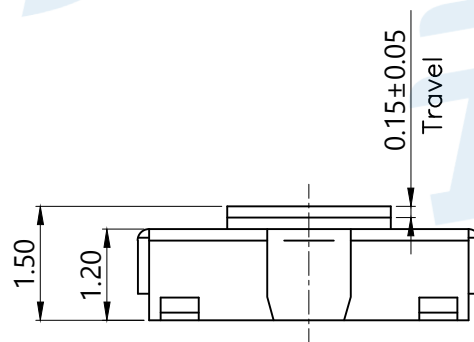
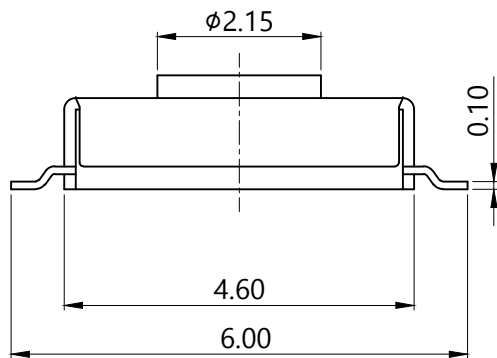


RoHS



PCB Layout(Pattern side)



OPERATING FORCE	
CODE	VIGOR
B2	180±30gf
B3	250±30gf

NO.	Name	Number	Qty	Materil	Remarks
Ⓕ	Terminal		4	Phosphor Bronze	Silvering
Ⓓ	Reed		1	SUS	Silver covered
Ⓒ	Button		1	LCP	Black
Ⓑ	Cover		1	SUS	Copper tin
Ⓐ	Base		1	PPA	Black

YUANDI® Yuandi Electronics Co, Ltd

design	date	name	TACT SWITCHS
Review	date	name	TS-1083A-B□
Approved	date	name	

Drawing number: Proportion 1:1 unit mm gage number A4

modify Review Approved Tolerance not specified

angle ±2'
10~30 ±0.30
5~10 ±0.20
~ 5 ±0.10