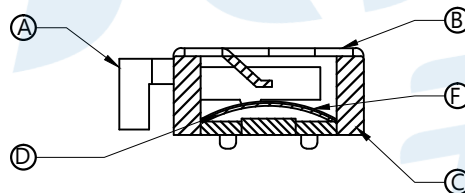
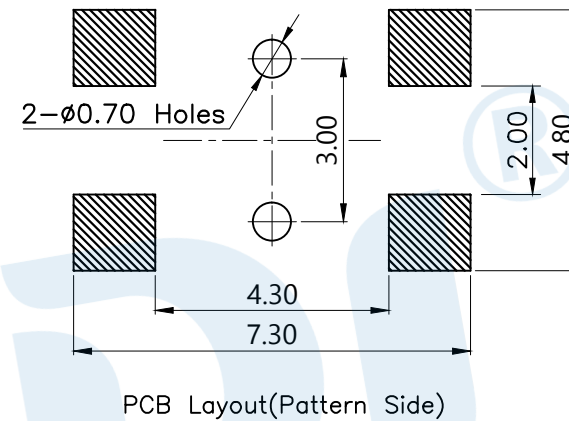
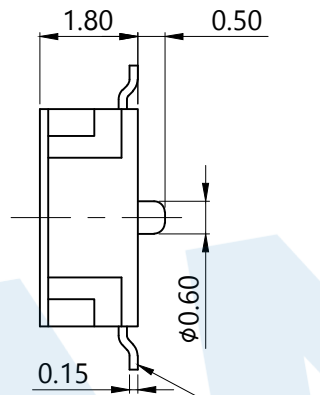
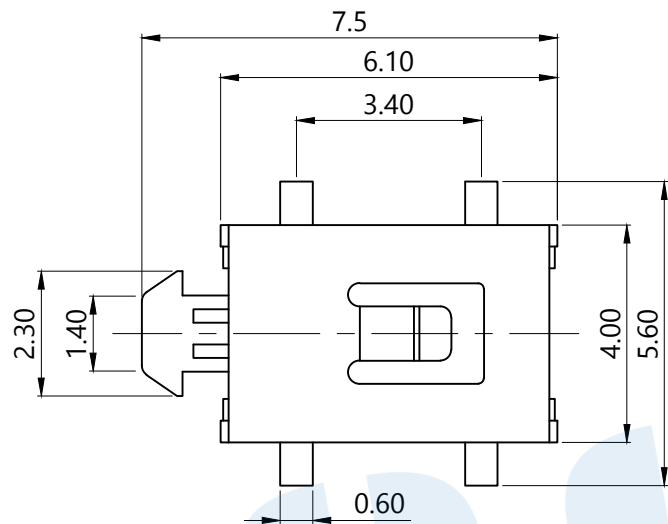
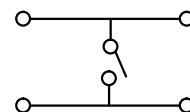
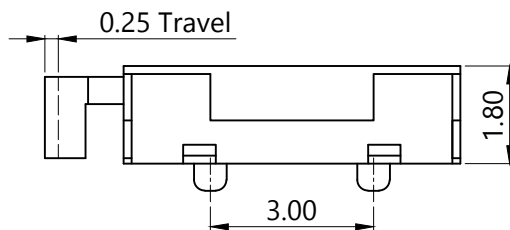


RoHS



PART NO.	TS-1086S
	TS-1086SA

OPERATING FORCE	
CODE	VIGOR
B2	180±30gf
B3	250±30gf



Circuit diagram

Ⓣ	Dust film		1	Polyimide tape	
ⓔ	Terminal		4	Phosphor bronze	Silvering
ⓓ	Reed		1	SUS	Silver covered
Ⓒ	Base		1	LCP	Black
Ⓑ	Cover		1	SUS	Natural
Ⓐ	Keystoke		1	PA46	Black
NO.	Name	Number	Qty	Materil	Remarks

YUANDI® Yuandi Electronics Co, Ltd

design	date	name	TACT SWITCHS
Review	date		
Approved	date	name	TS-1086S-B□

Drawing number: A4

modify Review Approved Tolerance not specified

Proportion 1:1 unit mm gage number