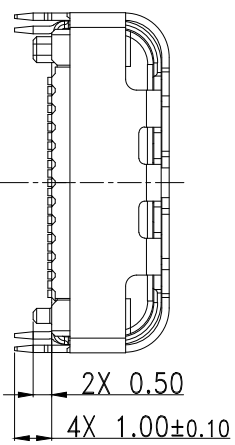
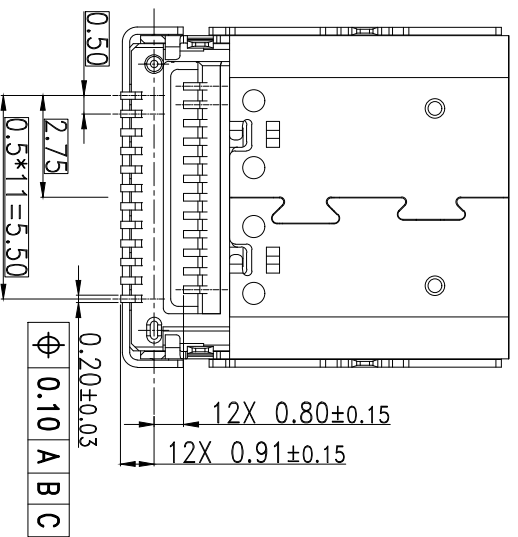
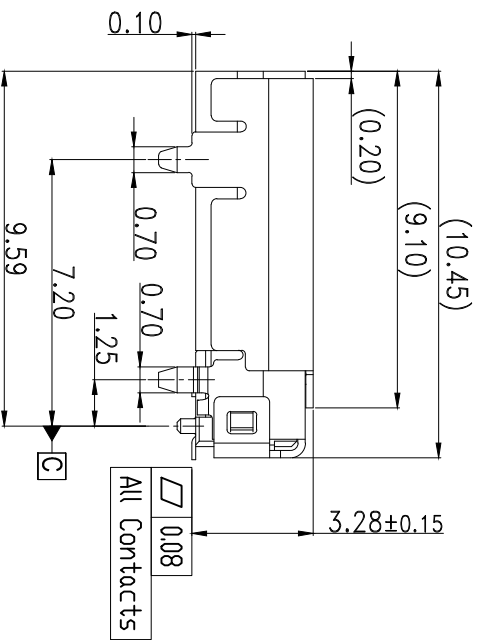


SECTION A-A



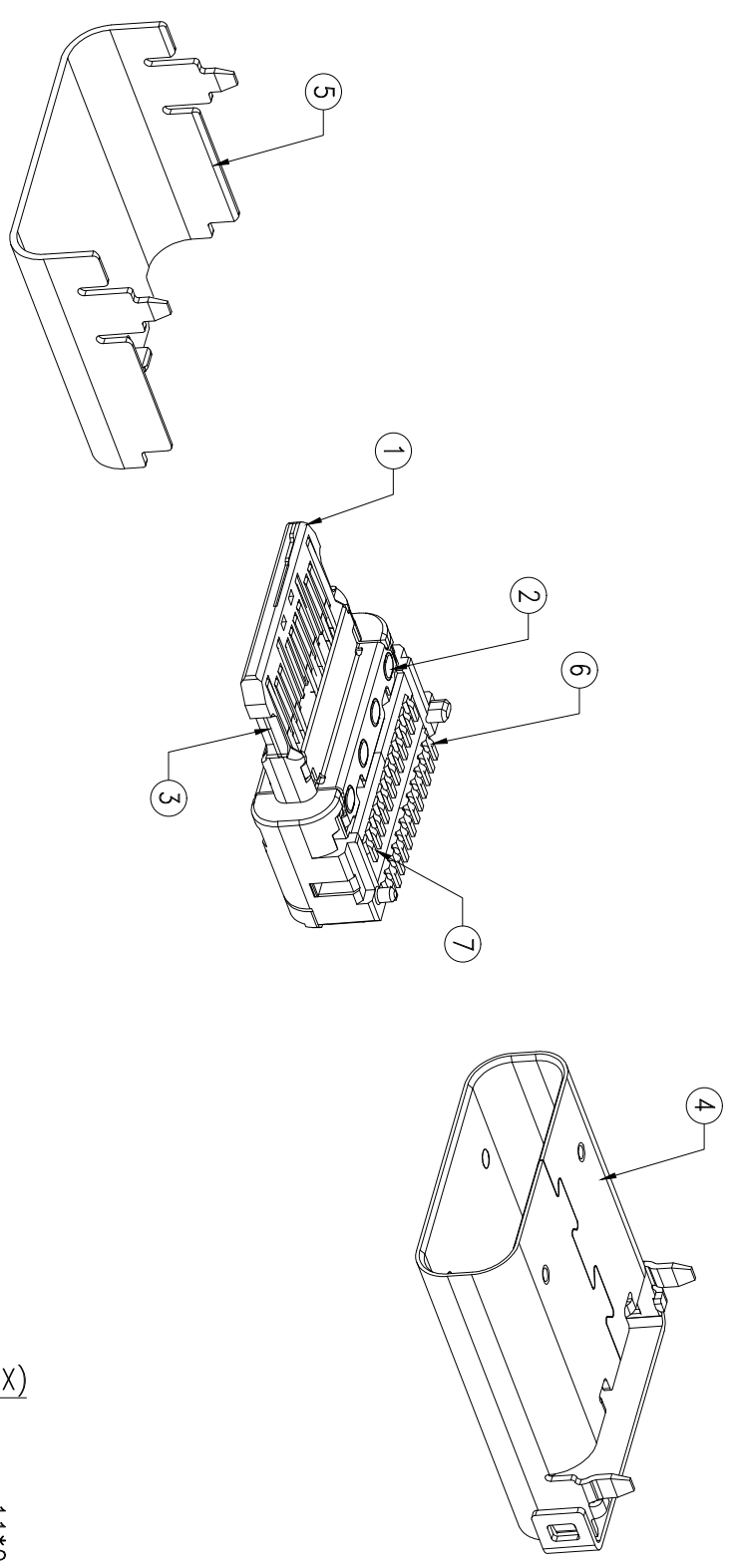
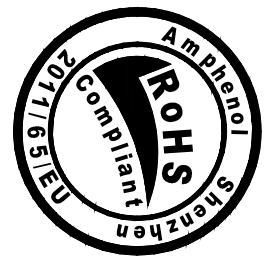
REV.	EQN.NO.	MODIFY.CONTENT	DATE
A		NEW RELEASE	04/28/17
B		Add NO PATTERN AREA	09/09/18

Pin No	Signal Name	Mating Sequence	Pin No	Signal Name	Mating Sequence
A1	GND	First	B12	GND	First
A2	TX1+	Second	B11	RX1+	Second
A3	TX1-	Second	B10	RX1-	Second
A4	Vbus	First	B9	Vbus	First
A5	CC1	Second	B8	SBU2	Second
A6	D+	Second	B7	D-	Second
A7	D-	Second	B6	D+	Second
A8	SBU1	Second	B5	CC2	Second
A9	Vbus	First	B4	Vbus	First
A10	RX2-	Second	B3	TX2-	Second
A11	RX2+	Second	B2	TX2+	Second
A12	GND	First	B1	GND	First
	SHELL	GND		SHELL	GND

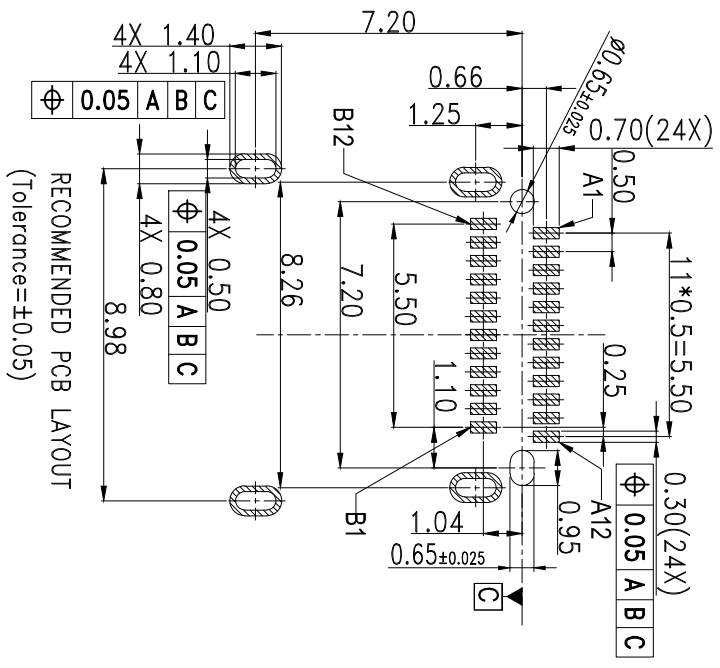
- Notes:
- Material :
 - Contacts : copper alloy
 - Shell : Stainless steel.
 - Housing : High-temperature polymer UL94V-0, black.
 - Plating :
 - Contacts:contact area 30u" Au, Solder tail gold flash or matte tin, nickel overall.
 - Shell : Nickel Plating
 - 3.Coplanarity : 0.08Max.
 - Packaging type: carrier tape.
 - Material should be fulfilled Amphenol spec# SSN002 AND Customer Requirements,for halogen free products, also need to meet SSN004

GENERAL TOLERANCE	FILE.NO.	12401610	PART.NO.	12401610E4#2A	DRAWN	Allan.Lai	MATERIAL	SCALE	1:1
x.±0.50	x.±5°	REV.	TITLE	USB TYPE C CONNECTOR	CHECKED	Weison.lu	DATE	UNIT	mm
.x±0.38	.x±2°	SIZE	SHEET	1 OF 2	APPROVED	Tom	09/06/18		
.xx±0.25	.xx±1°	A4					Amphenol Shouhmin Industry		

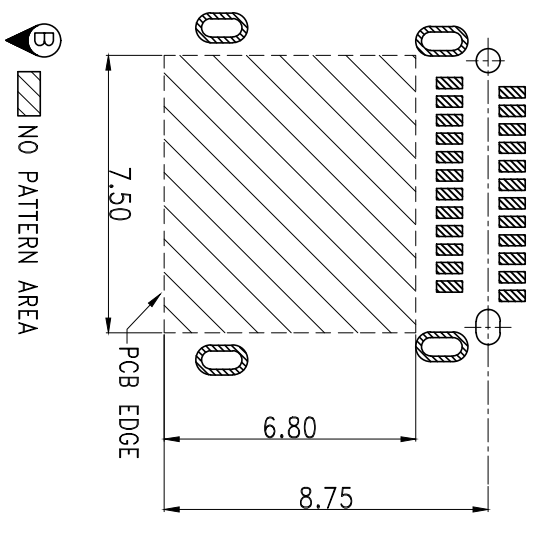
REV.	ECH.NO.	MODIFY.CONTENT	DATE
A		NEW RELEASE	04/28/17
B		Add NO PATTERN AREA	09/09/18



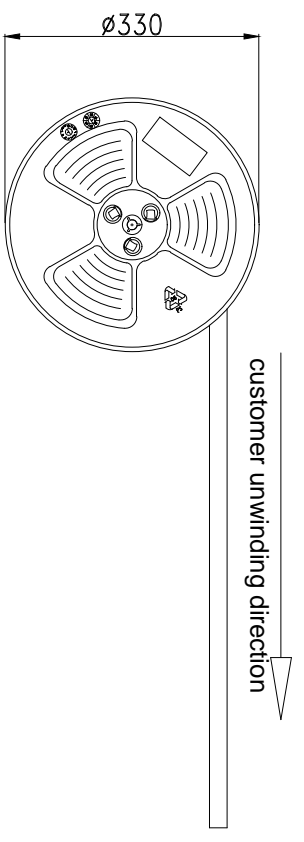
EXPLODE VIEW (SCALE N/A)



RECOMMENDED PCB LAYOUT
(Tolerance=±0.05)



NO PATTERN AREA



PACK DIRECTION

ITEM	DESCRIPTION	Q'TY	MATERIAL	FINISH
1	MAIN HOUSING	1	Nylon	BLACK
2	EMC	2	Stainless steel	SOLDER NICKEL: 50U" MIN
3	GND SHEET	1	Stainless steel	SOLDER NICKEL: 50U" MIN
4	MAIN SHELL	1	Stainless steel	SOLDER NICKEL: 50U" MIN
5	OUTER SHELL	1	Stainless steel	SOLDER NICKEL: 50U" MIN
6	TOP TERMINAL	1	Copper alloy	CONTACT:30U" AU MIN; SOLDER TAIL:100U" MATTE TIN MIN;
7	BOTTOM TERMINAL	1	Copper alloy	CONTACT:30U" AU MIN; SOLDER TAIL:100U" MATTE TIN MIN;

BILL OF MATERIAL

GENERAL TOLERANCE	FILE.NO.	12401610	PART.NO.	12401610E4#2A	DRAWN	Allan.Lai
x.±0.50	x.±5°	REV.	B	USB TYPE C CONNECTOR	CHECKED	Weison.lu
.x±0.38	.x±2°	SIZE	A4	2 OF 2	APPROVED	Tom
.xx±0.25	.xx±1°					

MATERIAL	SCALE	1:1
DATE	UNIT	mm
Amphenol Shouhmin Industry		