



002

PCB TERMINAL
BLOCKS

081

TERMINAL STRIPS

095

WIRE TO BOARD
CONNECTORS

100

CIRCULAR
CONNECTORS

151

IP68 CONNECTORS

158

INTERFACE
MODULES AND
RELAY BASES

5mm pitch pluggable rising clamp terminal blocks with screw flanges

Product overview

- 2-12 pole solid block
- Professional rising clamp terminals
- Moulded in green UL94-V0 flame retardant PA66
- Cable acceptance - 0.8 to 2mm² (28-14AWG) solid and stranded cable
- Pluggable male and female connectors
- Screw flanges
- Horizontal female plug styles
- Polarised mouldings
- Anti solder wicking
- Captive screws and guided pin alignment
- approved

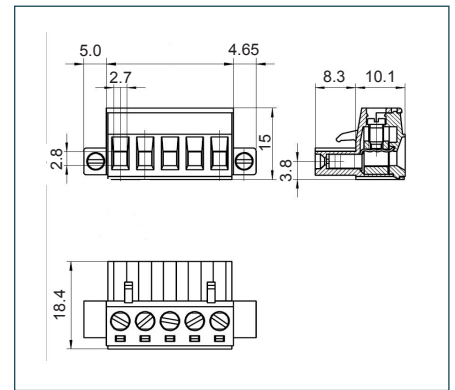
SPECIFICATION

Rating	20A/450V UL=15A/300V, VDE and IMQ=20A/450V
Dielectric strength	0.5kV
Impulse withstand voltage	2kV
Working temperature	-40°C to 105°C
Moulding	UL94-V0 flame retardant PA66
Pin/terminal	Copper alloy, NI and SN
Rising clamp	Copper alloy, NI and SN
Screw/torque	M3 steel zinc plated, 0.5Nm
Recommended PCB hole size	ø1.7mm

Female connector

PART NO.	POLES	LENGTH
CTBP9200/2FL	2	20mm
CTBP9200/3FL	3	25mm
CTBP9200/4FL	4	30mm
CTBP9200/5FL	5	35mm
CTBP9200/6FL	6	40mm
CTBP9200/7FL	7	45mm
CTBP9200/8FL	8	50mm
CTBP9200/9FL	9	55mm
CTBP9200/10FL	10	60mm
CTBP9200/11FL	11	65mm
CTBP9200/12FL	12	70mm

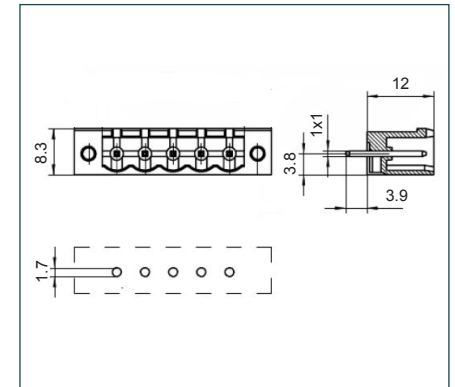
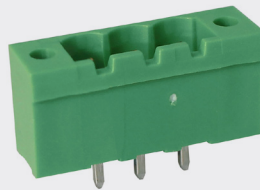
CTBP9200 FL



PCB mounting male vertical connector

PART NO.	POLES	LENGTH
CTBP9300/2FL	2	20mm
CTBP9300/3FL	3	25mm
CTBP9300/4FL	4	30mm
CTBP9300/5FL	5	35mm
CTBP9300/6FL	6	40mm
CTBP9300/7FL	7	45mm
CTBP9300/8FL	8	50mm
CTBP9300/9FL	9	55mm
CTBP9300/10FL	10	60mm
CTBP9300/11FL	11	65mm
CTBP9300/12FL	12	70mm

CTBP9300 FL



PCB mounting male horizontal connector

PART NO.	POLES	LENGTH
CTBP9350/2FL	2	20mm
CTBP9350/3FL	3	25mm
CTBP9350/4FL	4	30mm
CTBP9350/5FL	5	35mm
CTBP9350/6FL	6	40mm
CTBP9350/7FL	7	45mm
CTBP9350/8FL	8	50mm
CTBP9350/9FL	9	55mm
CTBP9350/10FL	10	60mm
CTBP9350/11FL	11	65mm
CTBP9350/12FL	12	70mm

CTBP9350 FL

