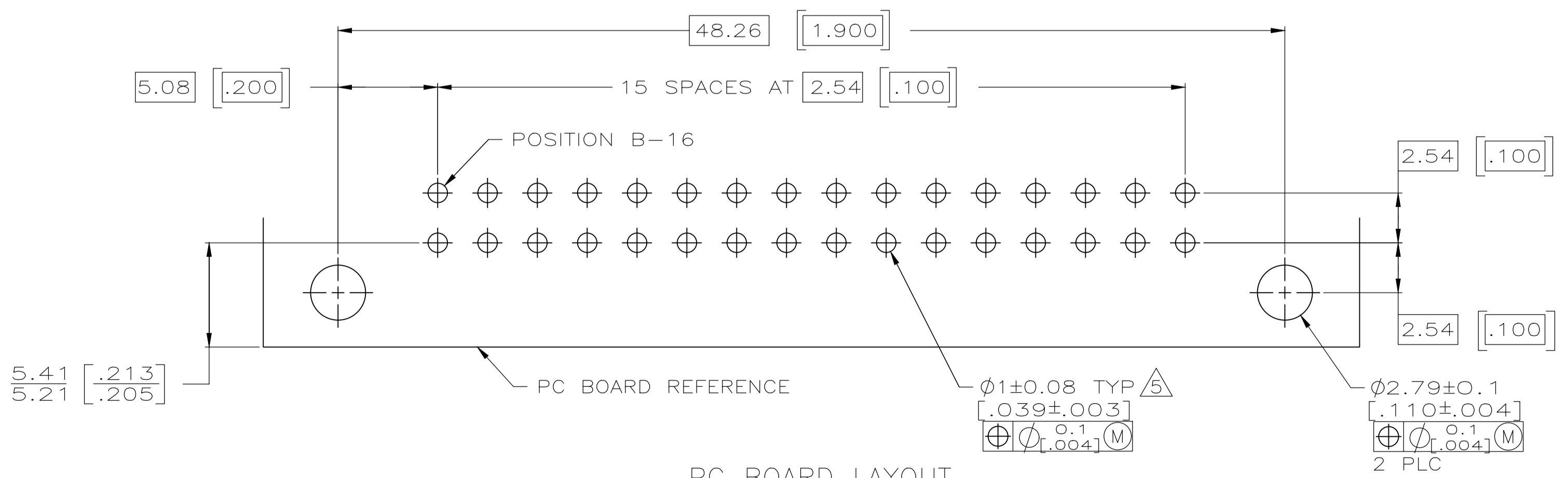
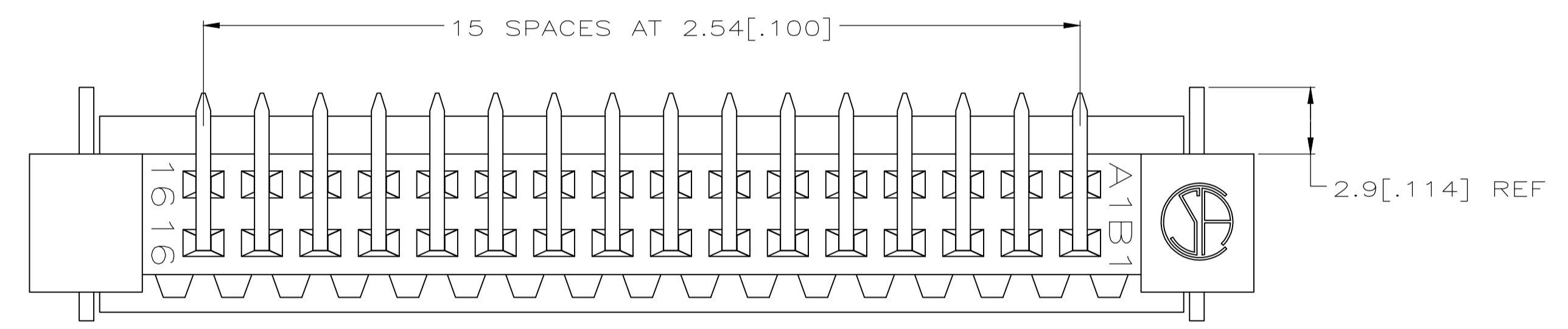
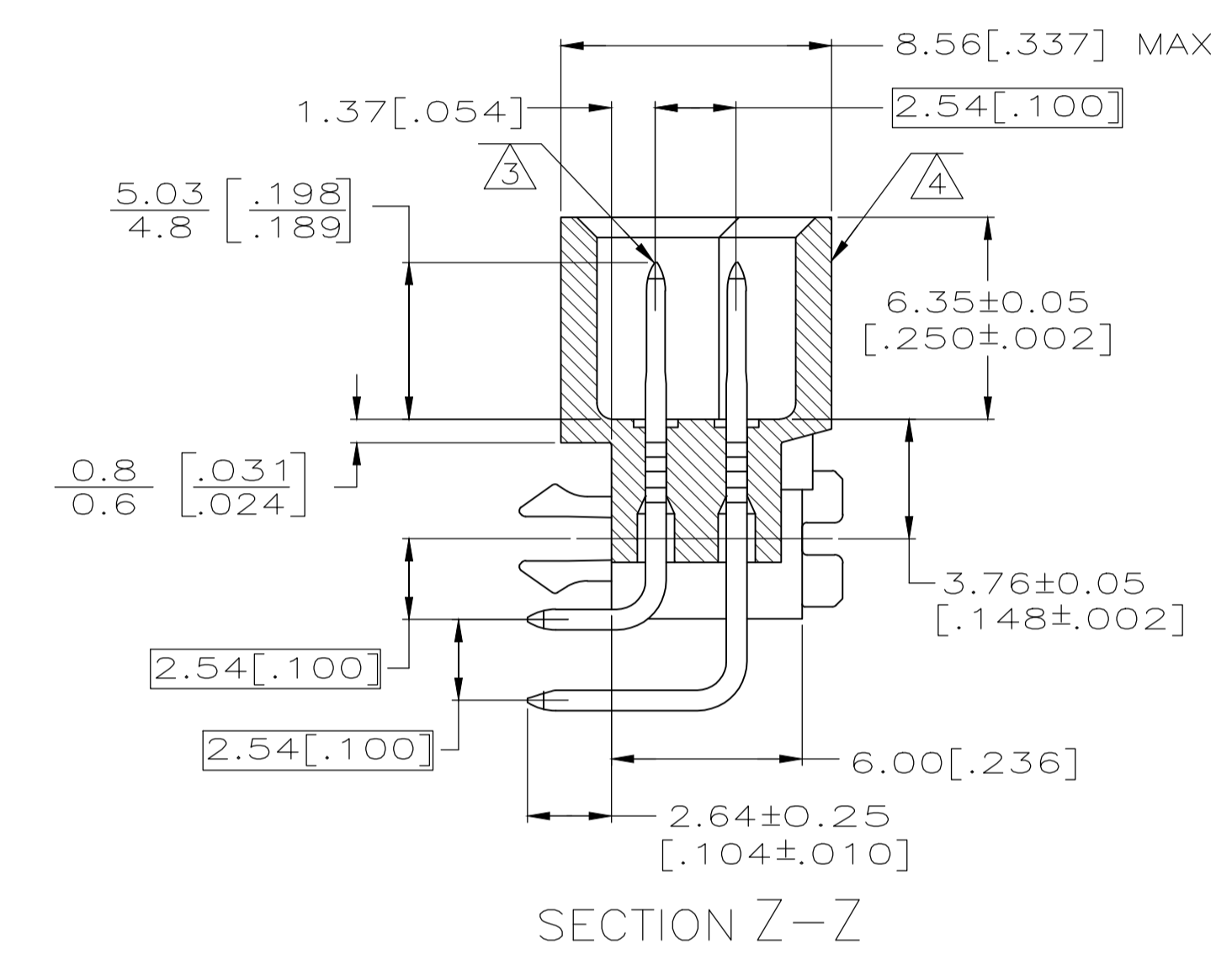
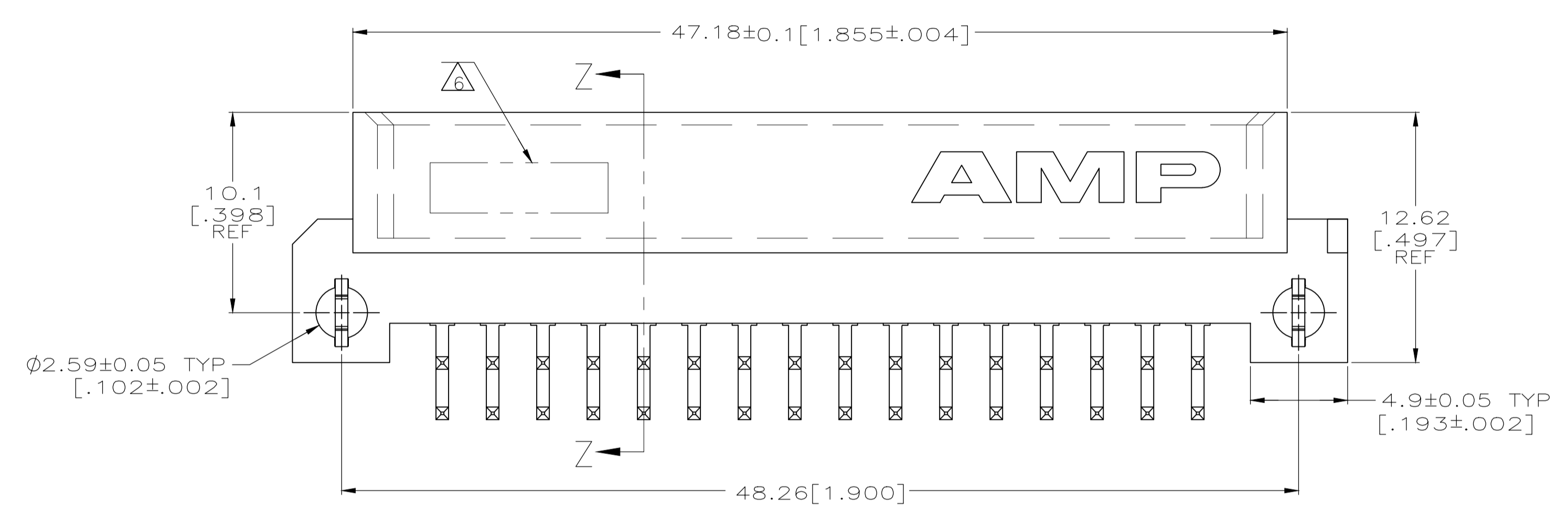
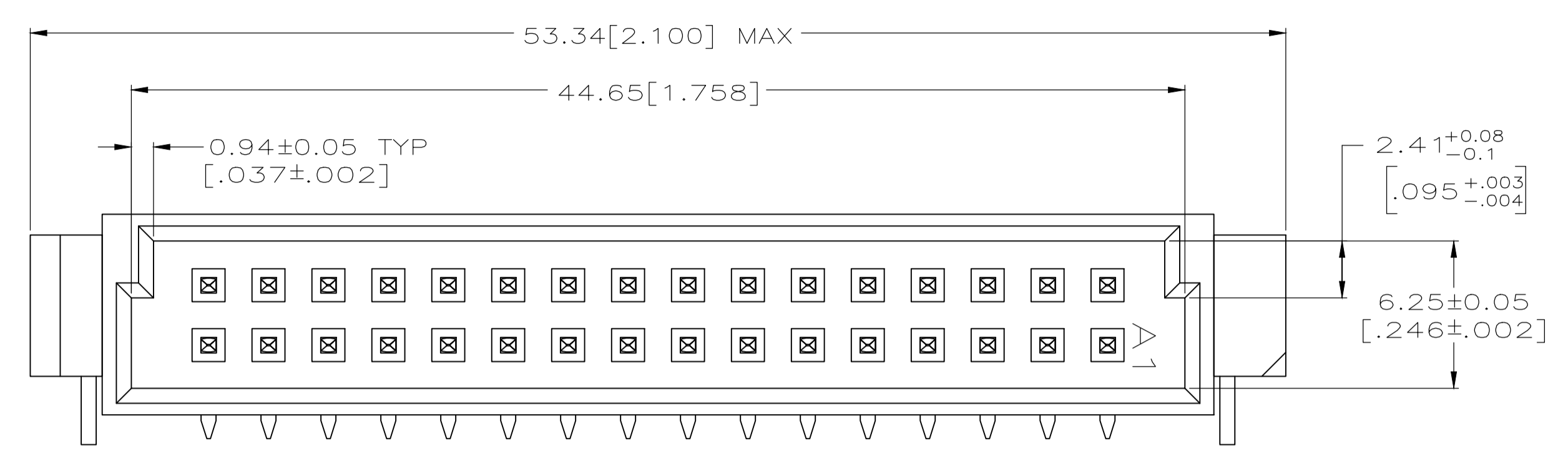


REVISIONS				
P	LTR	DESCRIPTION	DATE	APPV
A		REVISED PER ECO-20-007113	27MAY2020	RZ HL

- ① HOUSING MATERIAL: GLASS-FILLED POLYMER.
- ② POST MATERIAL: COPPER ALLOY.
- ③ POST FINISH: DIN 41612 CLASS 2 IN CONTACT AREA. TIN PLATE ON POSTS.
- ④ MARKINGS ON THIS SIDE.
- ⑤ RECOMMENDED HOLE SIZE FOR MANUAL APPLICATION OF CONNECTOR ONTO PC BOARD.
- ⑥ [PART NUMBER, DATE CODE] MARKED THIS APPROXIMATE AREA.



PC BOARD LAYOUT
RECOMMENDED PC BOARD THICKNESS 1.57[.062]

1-16	X	X	32	5536386-5
POSITIONS LOADED	B	A	NO. OF LOADED POSITION	ASSY PART NUMBER

THIS DRAWING IS A CONTROLLED DOCUMENT.

DIMENSIONS: mm [INCHES]	TOLERANCES UNLESS OTHERWISE SPECIFIED:	DIN J. POLIGNONE CIRK A. SHARPE APVD A. SHARPE PRODUCT SPEC	OSMAYOS OSMAYOS OSMAYOS NAME	STE TE Connectivity
0 PLC ± -	1 PLC ± -	APPLICATION SPEC	SIZE CAGE CODE DRAWING NO	RESTRICTED TO
2 PLC ± -	3 PLC ± 0.1[.005]		WEIGHT 0.000000	
4 PLC ± -	ANGLES ± -		A1 00779 C=5536386	
MATERIAL	FINISH	CUSTOMER DRAWING	SCALE 5:1	SHEET 1 OF 1 REV A

Mouser Electronics

Authorized Distributor

Click to View Pricing, Inventory, Delivery & Lifecycle Information:

[TE Connectivity:](#)

[5536386-5](#)