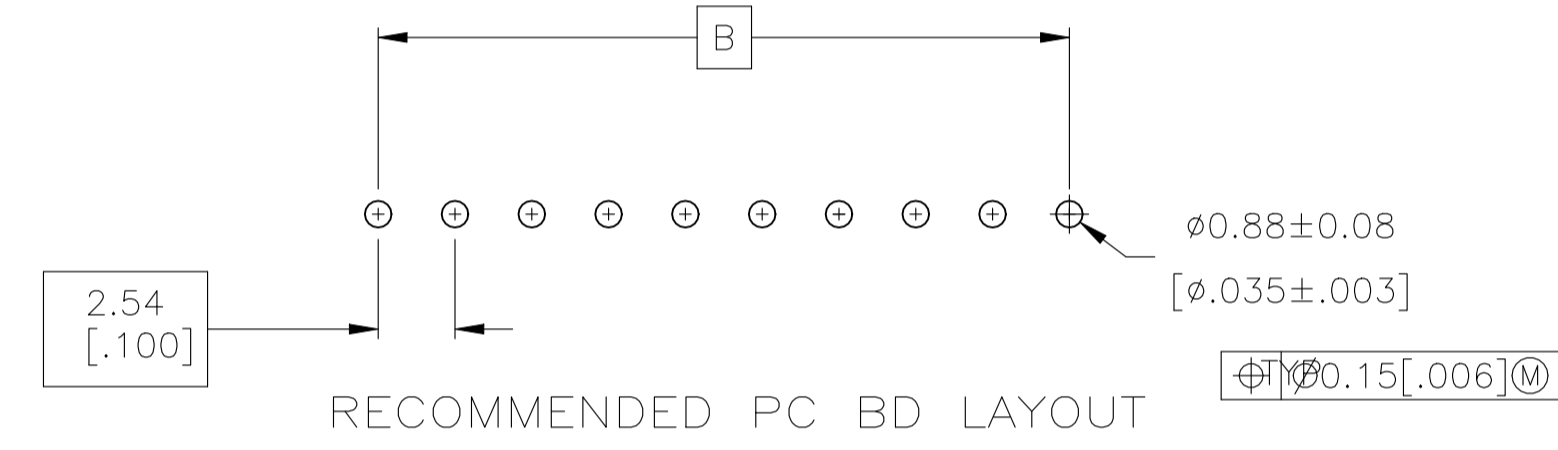
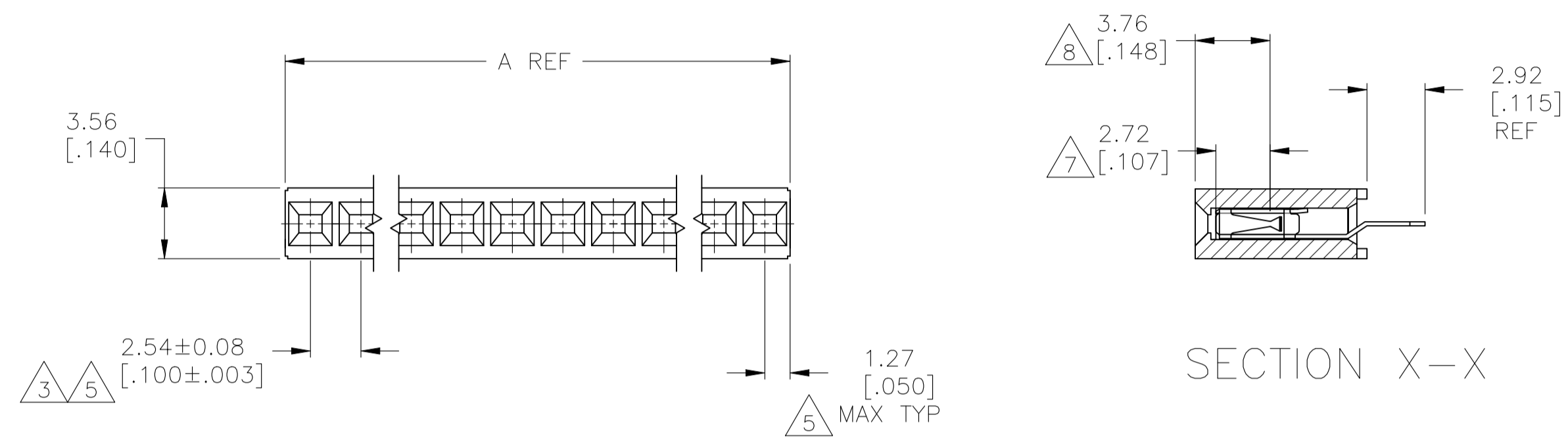
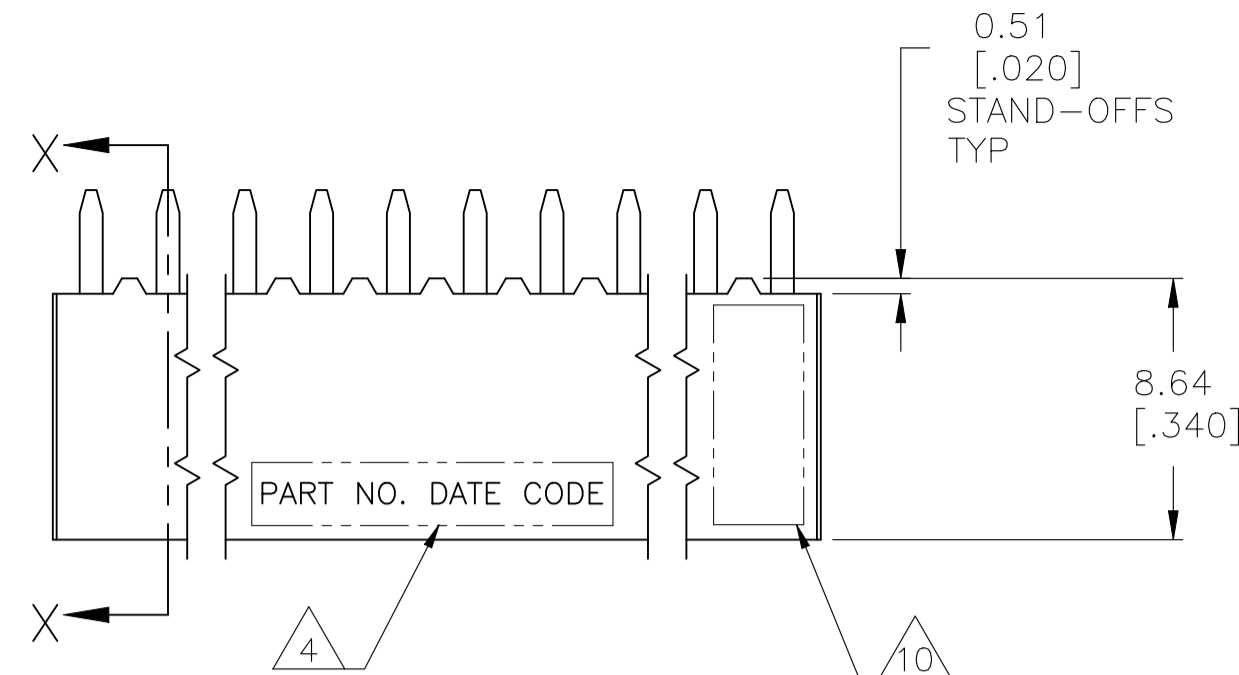


REVISIONS					
P	LTR	DESCRIPTION	DATE	DRN	APVD
S		RESIN SUPPLIER CHANGE FOR THE HOUSING	03DEC2021	SCB	KJK



6	9	OBSELETE	2.54	[.100]	5.08	[.200]	2	12	8-534237-9
			99.06	[3.900]	101.60	[4.000]	40	12	8-534237-8
			96.52	[3.800]	99.06	[3.900]	39	12	8-534237-7
			93.98	[3.700]	96.52	[3.800]	38	12	8-534237-6
			91.44	[3.600]	93.98	[3.700]	37	12	8-534237-5
			88.90	[3.500]	91.44	[3.600]	36	12	8-534237-4
			86.36	[3.400]	88.90	[3.500]	35	12	8-534237-3
			83.82	[3.300]	86.36	[3.400]	34	12	8-534237-2
			81.28	[3.200]	83.82	[3.300]	33	12	8-534237-1
			78.74	[3.100]	81.28	[3.200]	32	12	8-534237-0
			76.20	[3.000]	78.74	[3.100]	31	12	7-534237-9
			73.66	[2.900]	76.20	[3.000]	30	12	7-534237-8
			71.12	[2.800]	73.66	[2.900]	29	12	7-534237-7
			68.58	[2.700]	71.12	[2.800]	28	12	7-534237-6
			66.04	[2.600]	68.58	[2.700]	27	12	7-534237-5
			63.50	[2.500]	66.04	[2.600]	26	12	7-534237-4
			60.96	[2.400]	63.50	[2.500]	25	12	7-534237-3
			58.42	[2.300]	60.96	[2.400]	24	12	7-534237-2
			55.88	[2.200]	58.42	[2.300]	23	12	7-534237-1
			53.34	[2.100]	55.88	[2.200]	22	12	7-534237-0
			50.80	[2.000]	53.34	[2.100]	21	12	6-534237-9
			48.26	[1.900]	50.80	[2.000]	20	12	6-534237-8
			45.72	[1.800]	48.26	[1.900]	19	12	6-534237-7
			43.18	[1.700]	45.72	[1.800]	18	12	6-534237-6
			40.64	[1.600]	43.18	[1.700]	17	12	6-534237-5
			38.10	[1.500]	40.64	[1.600]	16	12	6-534237-4
			35.56	[1.400]	38.10	[1.500]	15	12	6-534237-3
			33.02	[1.300]	35.56	[1.400]	14	12	6-534237-2
			30.48	[1.200]	33.02	[1.300]	13	12	6-534237-1
			27.94	[1.100]	30.48	[1.200]	12	12	6-534237-0
			25.40	[1.000]	27.94	[1.100]	11	12	5-534237-9
			22.86	[.900]	25.40	[1.000]	10	12	5-534237-8
			20.32	[.800]	22.86	[.900]	9	12	5-534237-7
			17.78	[.700]	20.32	[.800]	8	12	5-534237-6
			15.24	[.600]	17.78	[.700]	7	12	5-534237-5
			12.70	[.500]	15.24	[.600]	6	12	5-534237-4
			10.16	[.400]	12.70	[.500]	5	12	5-534237-3
			7.62	[.300]	10.16	[.400]	4	12	5-534237-2
			5.08	[.200]	7.62	[.300]	3	12	5-534237-1
			B		A		NO OF POSN		PART NUMBER

9	OBSELETE	2.54	[.100]	5.08	[.200]	2	12	3-534237-9	
		99.06	[3.900]	101.60	[4.000]	40	12	3-534237-8	
		96.52	[3.800]	99.06	[3.900]	39	12	3-534237-7	
		93.98	[3.700]	96.52	[3.800]	38	12	3-534237-6	
		91.44	[3.600]	93.98	[3.700]	37	12	3-534237-5	
		88.90	[3.500]	91.44	[3.600]	36	12	3-534237-4	
		86.36	[3.400]	88.90	[3.500]	35	12	3-534237-3	
		83.82	[3.300]	86.36	[3.400]	34	12	3-534237-2	
		81.28	[3.200]	83.82	[3.300]	33	12	3-534237-1	
		78.74	[3.100]	81.28	[3.200]	32	12	3-534237-0	
		76.20	[3.000]	78.74	[3.100]	31	12	2-534237-9	
		73.66	[2.900]	76.20	[3.000]	30	12	2-534237-8	
		71.12	[2.800]	73.66	[2.900]	29	12	2-534237-7	
		68.58	[2.700]	71.12	[2.800]	28	12	2-534237-6	
		66.04	[2.600]	68.58	[2.700]	27	12	2-534237-5	
		63.50	[2.500]	66.04	[2.600]	26	12	2-534237-4	
		60.96	[2.400]	63.50	[2.500]	25	12	2-534237-3	
		58.42	[2.300]	60.96	[2.400]	24	12	2-534237-2	
		55.88	[2.200]	58.42	[2.300]	23	12	2-534237-1	
		53.34	[2.100]	55.88	[2.200]	22	12	2-534237-0	
		50.80	[2.000]	53.34	[2.100]	21	12	1-534237-9	
		48.26	[1.900]	50.80	[2.000]	20	12	1-534237-8	
		45.72	[1.800]	48.26	[1.900]	19	12	1-534237-7	
		43.18	[1.700]	45.72	[1.800]	18	12	1-534237-6	
		40.64	[1.600]	43.18	[1.700]	17	12	1-534237-5	
		38.10	[1.500]	40.64	[1.600]	16	12	1-534237-4	
		35.56	[1.400]	38.10	[1.500]	15	12	1-534237-3	
		33.02	[1.300]	35.56	[1.400]	14	12	1-534237-2	
		30.48	[1.200]	33.02	[1.300]	13	12	1-534237-1	
		27.94	[1.100]	30.48	[1.200]	12	12	1-534237-0	
		25.40	[1.000]	27.94	[1.100]	11	12	534237-9	
		22.86	[.900]	25.40	[1.000]	10	12	534237-8	
		20.32	[.800]	22.86	[.900]	9	12	534237-7	
		17.78	[.700]	20.32	[.800]	8	12	534237-6	
		15.24	[.600]	17.78	[.700]	7	12	534237-5	
		12.70	[.500]	15.24	[.600]	6	12	534237-4	
		10.16	[.400]	12.70	[.500]	5	12	534237-3	
		7.62	[.300]	10.16	[.400]	4	12	534237-2	
		5.08	[.200]	7.62	[.300]	3	12	534237-1	
			B		A		NO OF POSN		PART NUMBER

- 1 HOUSING: FLAME RETARDANT, GLASS FILLED, POLYESTER, COLOR: BLACK. CONTACT: PHOSPHOR BRONZE
- 2 CONTACT: DUPLEX PLATED 0.76µm[.000030] GOLD IN CONTACT AREA, 3.81-7.62µm[.000150-.000300] BRIGHT TIN-LEAD ON LEADS ALL OVER 1.27µm[.000050] MIN NICKEL
- 3 THESE DIMENSIONS PERTAIN TO CAVITY CENTERLINES ONLY - NOT TO CONTACT LOCATIONS
- 4 PART NUMBER AND DATE CODE MARKED IN APPROXIMATE LOCATION SHOWN, EITHER SIDE.
- 5 TOLERANCE IS NON-CUMULATIVE.
- 6 2 POSITION DATE CODE IS MARKED OPPOSITE SIDE OF TE CONNECTIVITY LOGO.
- 7 POINT-OF-MEASUREMENT DIMENSION FOR PLATING THICKNESS (INSIDE CONTACT BEAM).
- 8 POINT-OF-CONTACT DIMENSION.
- 9 NO PART NUMBER MARKING REQUIRED FOR THIS PART.
- 10 TE CONNECTIVITY LOGO AND CSA LOGO ARE MOLDED INTO HOUSING, THIS LOCATION.
- 11 CONTACT: DUPLEX PLATED 0.76µm[.000030] GOLD IN CONTACT AREA, 3.81-7.62µm[.000150-.000300] MATTE TIN ON LEADS ALL OVER 1.27µm[.000050] MIN NICKEL
- 12 ROHS 2002/95/EC COMPLIANT

THIS DRAWING IS A CONTROLLED DOCUMENT.

DIMENSIONS: mm [NCHES]	TOLERANCES UNLESS OTHERWISE SPECIFIED:	DIN M. BINNER OSNOV2	TE Connectivity
0. PLC ± -	1. PLC ± -	CHK J. JOLSON OSNOV2	APVD J. JOLSON OSNOV2
2. PLC ± 0.25[.010]	3. PLC ± 0.13[.005]	NAME	RECP.T ASSY, MOD IV, SINGLE ROW, .100CL, VERTICAL BOARD MOUNT, CLOSED, TOP ENTRY, SHORT PNT. OF CONTACT
4. PLC ± -	ANGLES ± -	PRODUCT SPEC	108-25022
MATERIAL 1	FINISH SEE TABLE	APPLICATION SPEC	114-25018
WEIGHT	SIZE	CAGE CODE	DRAWING NO
	A1	00779	534237
CUSTOMER DRAWING	SCALE 4:1	SHEET 1 of 1	REV S

Mouser Electronics

Authorized Distributor

Click to View Pricing, Inventory, Delivery & Lifecycle Information:

[TE Connectivity:](#)

[5-534237-6](#)