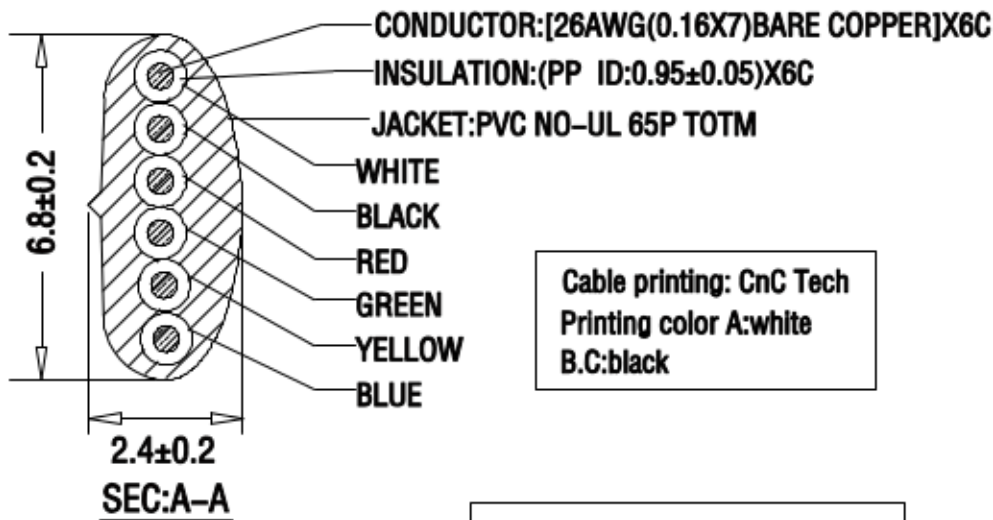
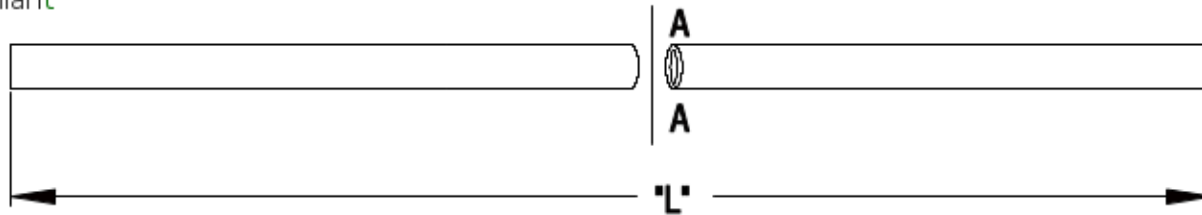


NOTE: ALL MATERIAL COMPLIANT REACH STANDARD

RoHS  
compliant

REVISION INFORMATION			
Rev.	Rev. Date	Modified By	Brief Description
A0	16-12-23	T161213B	NEW DRAWING
A1	17-01-17	Q1701160	Modification English expresses way
A2	17-03-06	T170306A	The increment beats an outside path size



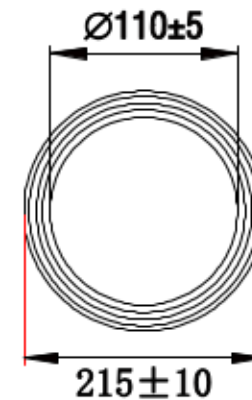
Cable printing: CnC Tech  
Printing color A:white  
B.C:black

Part number:530-26-06-XX-0250F  
"ROHS Compliant"

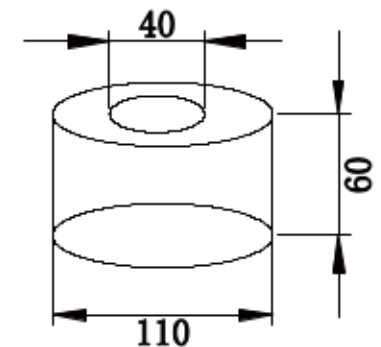
P/N label

YY/WW

label:10X5mm



250FT/R.PE FILM



NOTE:  
MOLD SIZE.

PART NO	DRAWING NO	WIRE LENGTH L	CABLE COLOR	INTERNAL COLOR CODE
530-26-06-BL-0250F	671-381-A	250FT/R	BLACK	BK LIGHT
530-26-06-WH-0250F	671-381-B	250FT/R	WHITE	W-103 LIGHT
530-26-06-SV-0250F	671-381-C	250FT/R	SILVER GRAY	S49-1 LIGHT

CnC Tech, LLC			
Industrial Cable and Connector Technology			
DRAWN BY:	DATE: 2017/03/06	DESCRIPTION: 250FT/R 6C CABLE	
CHECKED BY:	SHEET 1 of 1	ITEM NO. 530-26-06-XX-0250F	
APPROVED BY:	SCALE 1:1	REV. A/2	UNIT: mm