

MFG. ENG. APPROVED BY: DATE: QA APPROVED BY: DATE:

CUSTOMER DRAWING

PART NUMBER: D24295-WA

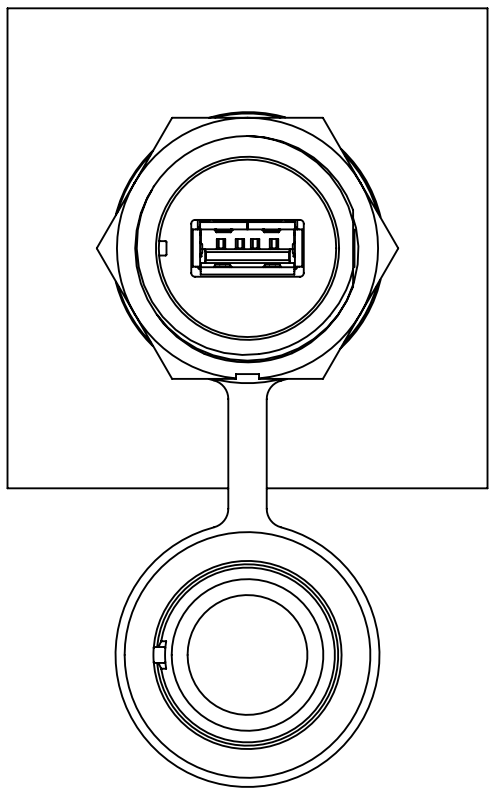
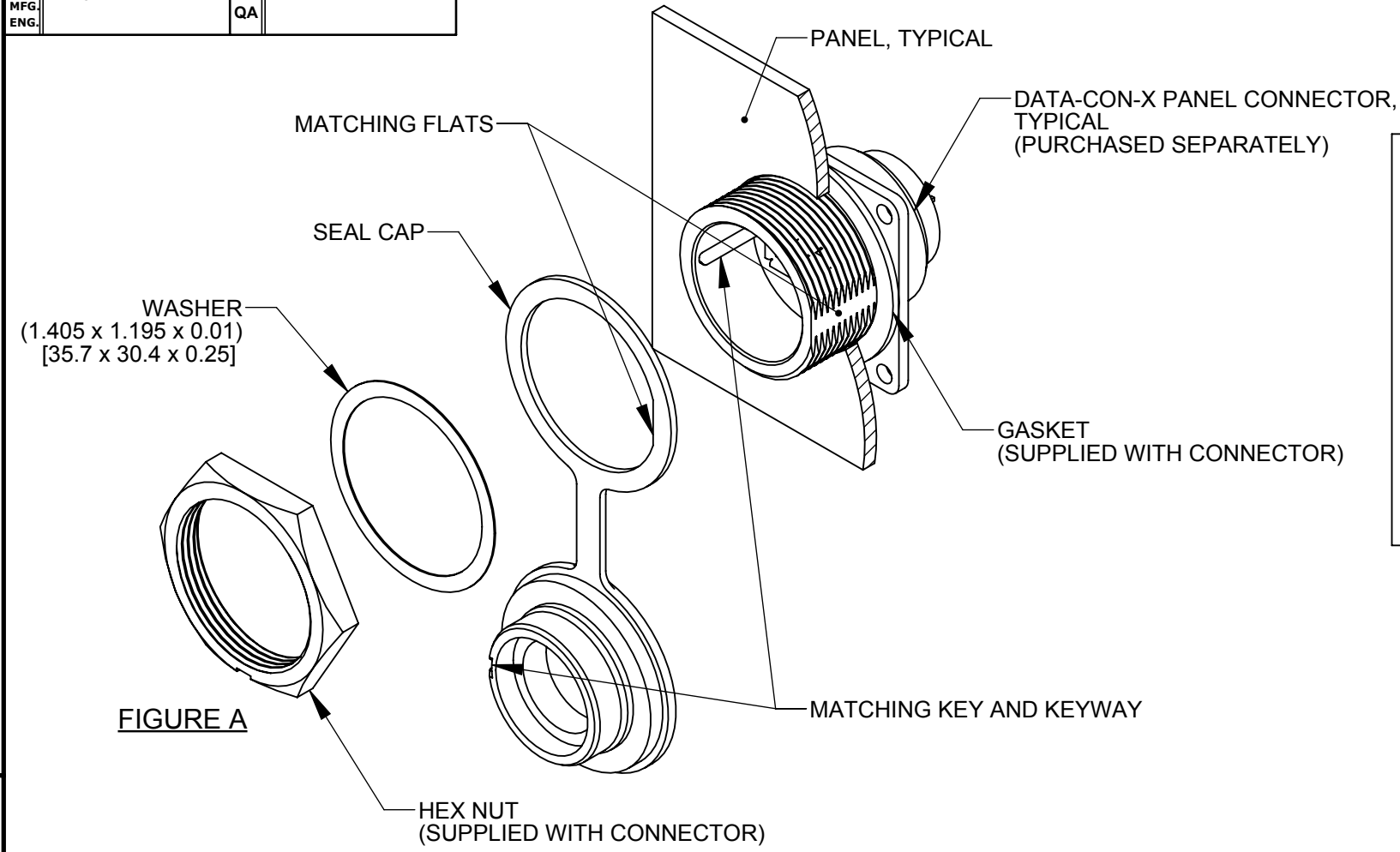


FIGURE B

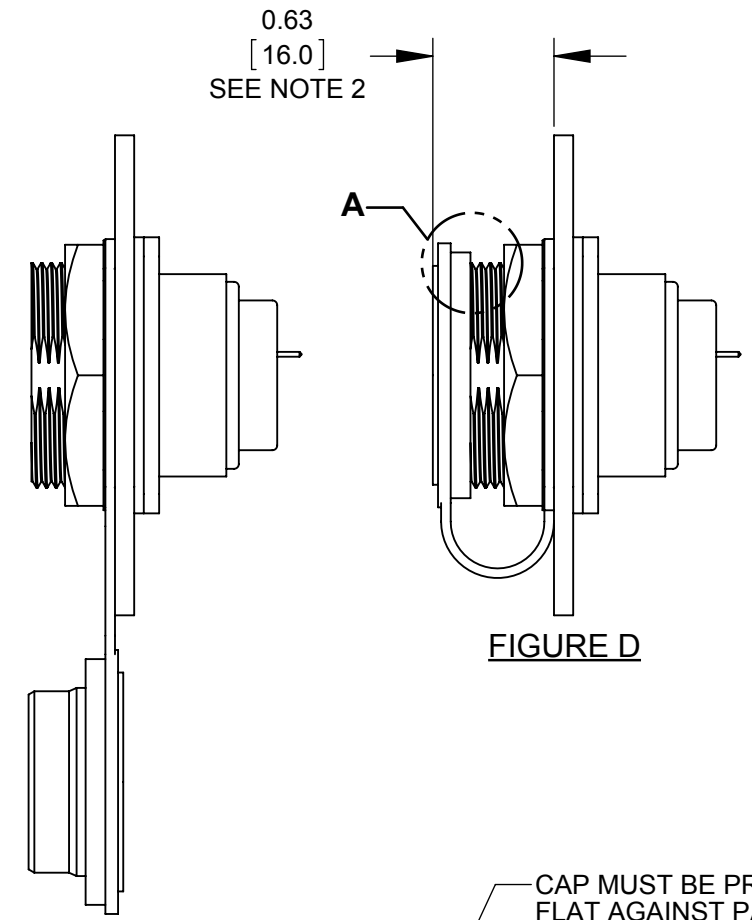
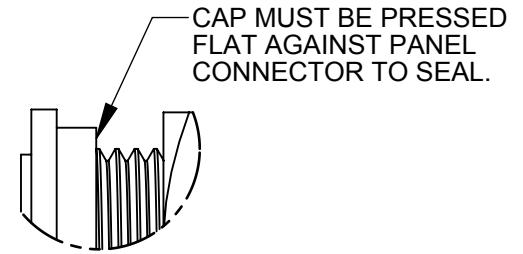
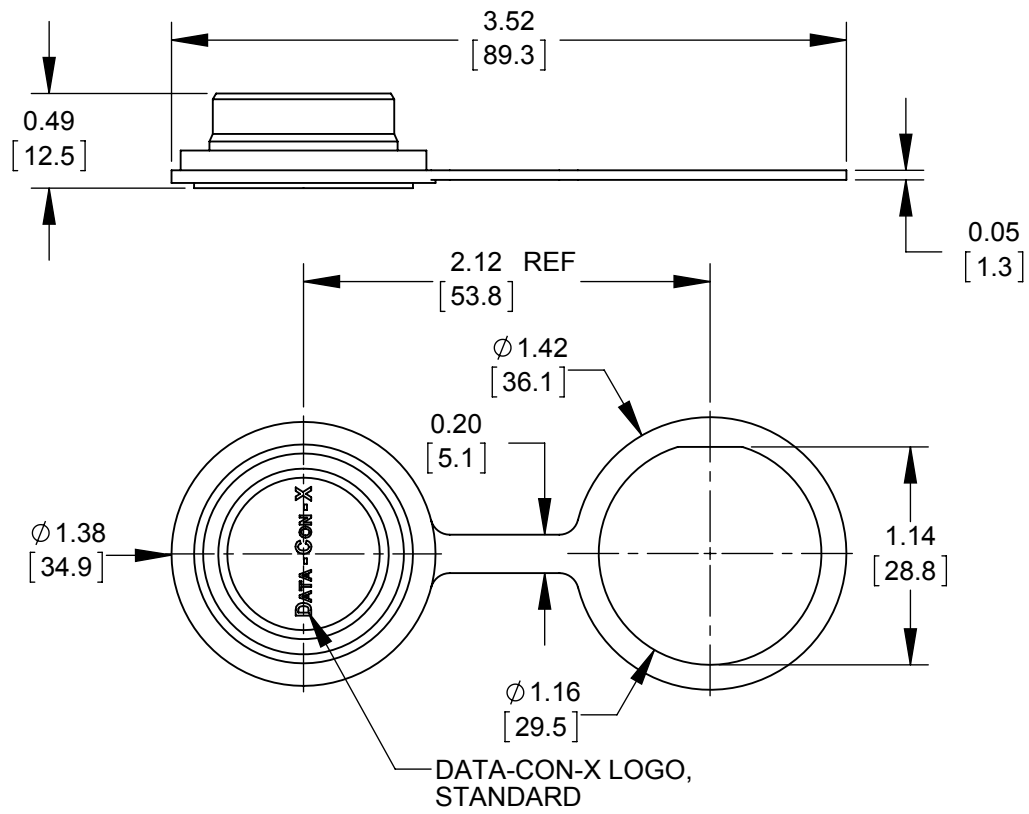


FIGURE C

FIGURE D



DETAIL A  
SCALE 2 : 1



DIMENSIONS SHOWN FOR REFERENCE ONLY


NOTES:

1. D24295-WA CONTAINS ONE SEAL CAP AND ONE FLAT WASHER.
2. THE DIMENSION DOES NOT INCLUDE GASKET COMPRESSION.
3. INSTALL SEAL CAP ON THE CONNECTOR AS SHOWN IN FIGURE A. HEX NUT RECOMMENDED TORQUE: 8-10 lb-in [0.90 - 1.13 N-m].
4. MATERIAL: SEAL CAP - THERMOPLASTIC ELASTOMER, BLACK  
WASHER - MYLAR, WHITE
5. UNLESS OTHERWISE SPECIFIED TOLERANCES:  
TWO PLACE DECIMALS ±0.02 [±0.5]

DIMENSIONS IN BRACKET [ ] ARE METRIC.

**RoHS COMPLIANT**

**CUSTOMER DRAWING**

0A	JGK	8/27/15	DRAWING CREATED FOR DATA-CON-X IP CAP.		
REV.	INIT.	DATE	DESCRIPTION		
	JGK	8/27/15	ORIG. DRAWN BY: DATE: 8/27/15		
			CHECKED BY:		
ALL INFORMATION ILLUSTRATED IS THE PROPERTY OF CONXALL CORPORATION. UNAUTHORIZED DUPLICATION OR DISTRIBUTION OF THIS DOCUMENT IS PROHIBITED.			 601 E. WILDWOOD VILLA PARK, IL 60181		
UNLESS OTHERWISE SPECIFIED TOLERANCES: 3 PLACE DECIMALS ±.005 ANGLES ±1° FRACTIONS ±1/16					
ALL UNITS ARE IN FEET, INCHES, FRACTION OF INCHES AND DECIMALS.			APPROVED BY:		
TITLE: PANEL SEAL CAP DATA-CON-X SERIES IP RATED			CUSTOMER: STANDARD PRODUCT		
SCALE	SIZE	SHEET			
1:1	B	1 OF 1			
FILE:	DIRECTORY:	PART NUMBER:			
SAME AS P/N	SLW	D24295-WA	REV 0A		