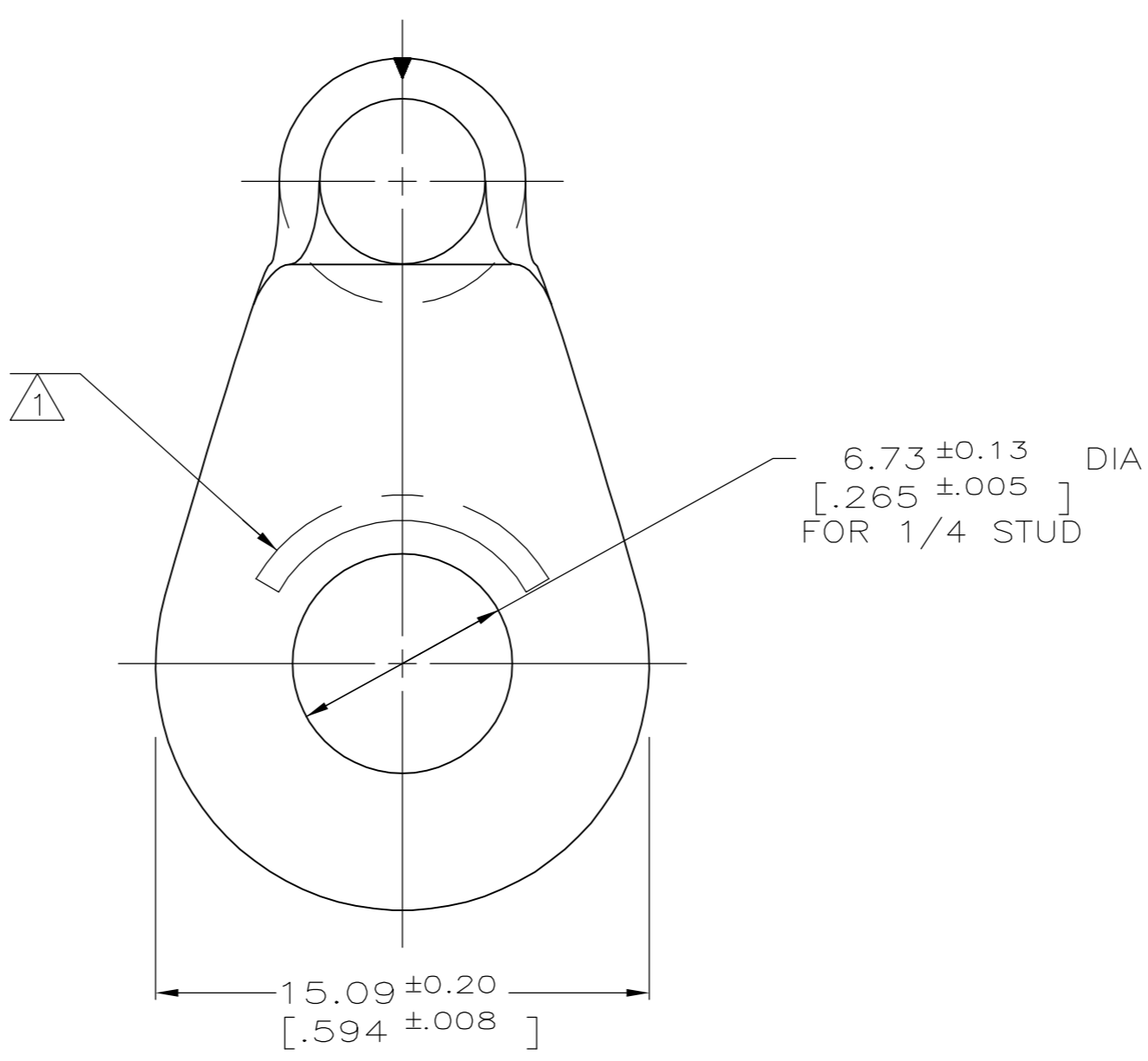
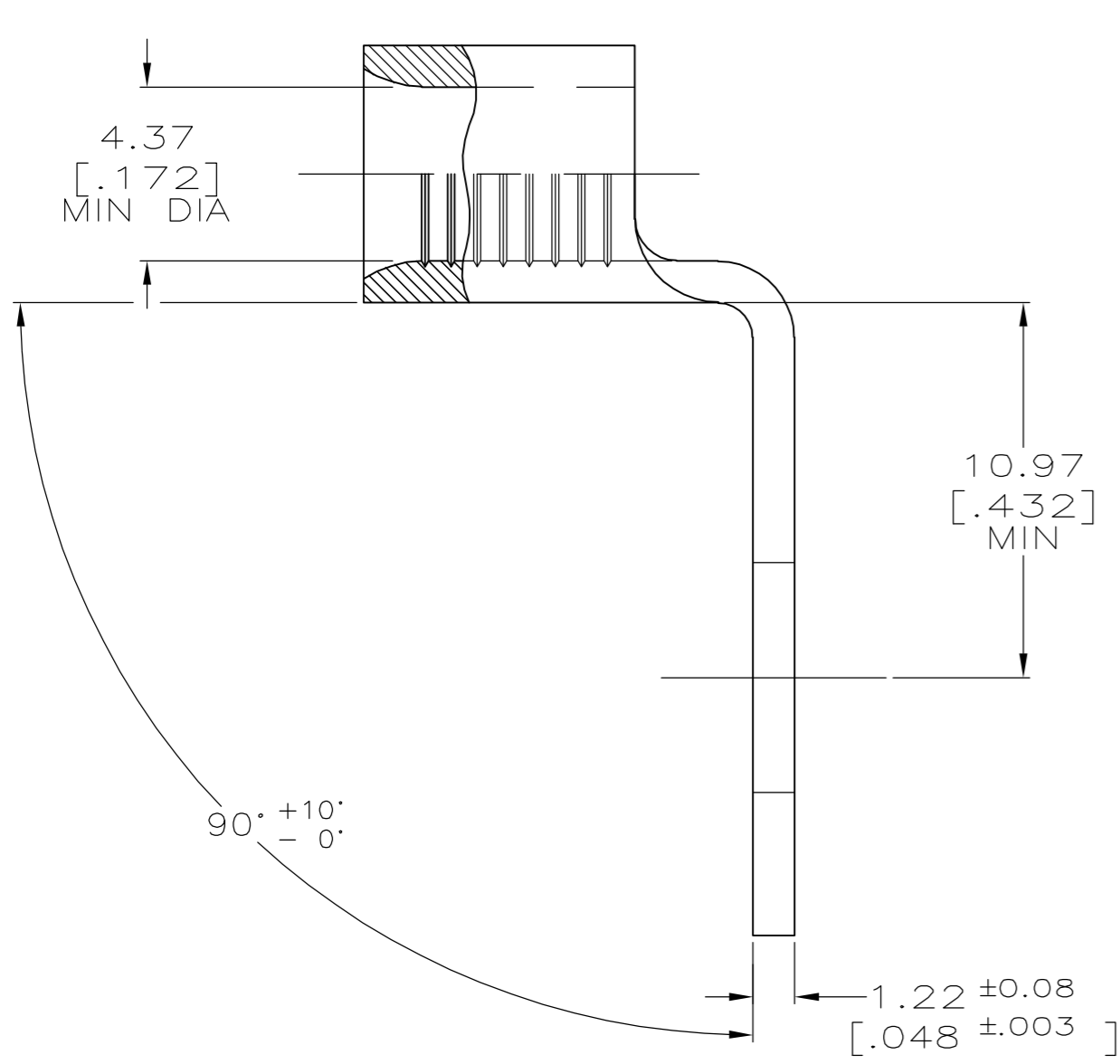
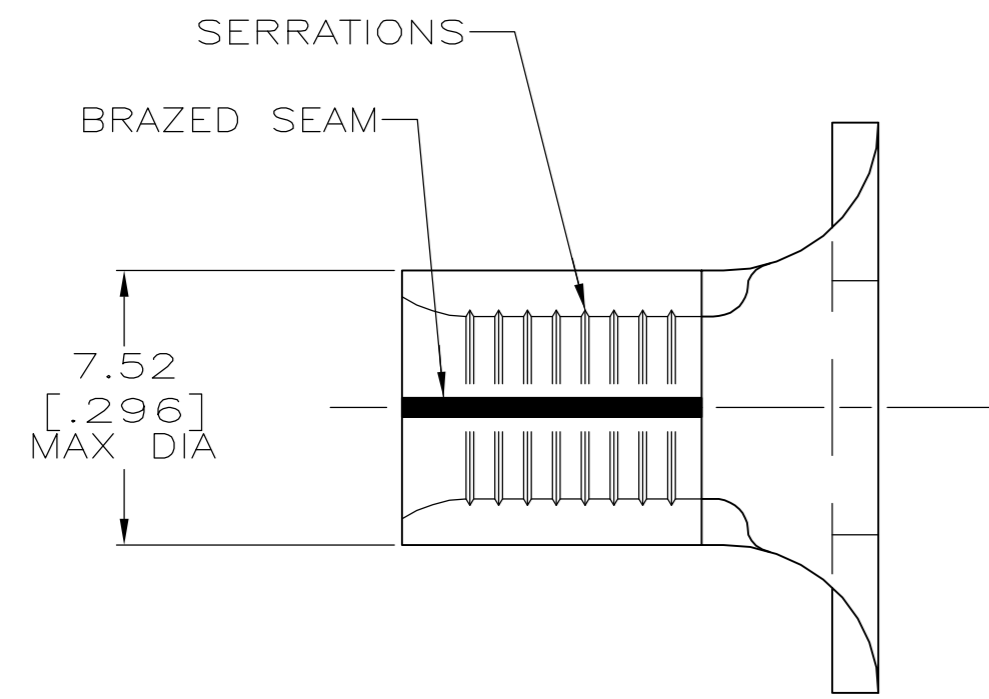


THIS DRAWING IS UNPUBLISHED. RELEASED FOR PUBLICATION
 © COPYRIGHT BY TYCO ELECTRONICS CORPORATION. ALL RIGHTS RESERVED.

LOC	DIST	REVISIONS					
		P	LTR	DESCRIPTION	DATE	DWN	APVD
G	14	E1		REV PER ECR 06-016752	11JUL06	JR	MS



- 1 STAMP AMP 8* APPROX AS SHOWN
- 2 COPPER PER ASTM B-152, ANNEALED
- 3 0.00254 [.000080] MIN TIN PLATE PER ASTM B-545
- 4 RECOMMENDED MAX OPERATING TEMP TO BE 170°C
- 5 WIRE CROSS SECTIONAL AREA RANGE: 6.64-10.5mm² [13,100-20,800] CMA SOLID OR STRANDED

35277
PART NO.

THIS DRAWING IS A CONTROLLED DOCUMENT.		DWN DK SCHRUM 01JUN94	tyco Electronics Tyco Electronics Corporation Harrisburg, PA 17105-3608	
DIMENSIONS: INCHES		CHK DA PATTERSON 05AUG94		
TOLERANCES UNLESS OTHERWISE SPECIFIED:		APVD JL MECKLEY 05AUG94	NAME	
0 PLC ± -		PRODUCT SPEC	TERMINAL, BENT 90 RING TONGUE, SOLISTRAND	
1 PLC ± -		APPLICATION SPEC	SIZE A2	CAGE CODE 00779
2 PLC ± 0.20[.008]		WEIGHT -	DRAWING NO C=35277	RESTRICTED TO -
3 PLC ± -		CUSTOMER DRAWING	SCALE 5:1	SHEET 1 of 1
4 PLC ± -			REV E1	
ANGLES ± -				
FINISH				

Mouser Electronics

Authorized Distributor

Click to View Pricing, Inventory, Delivery & Lifecycle Information:

[TE Connectivity:](#)

[35277](#)