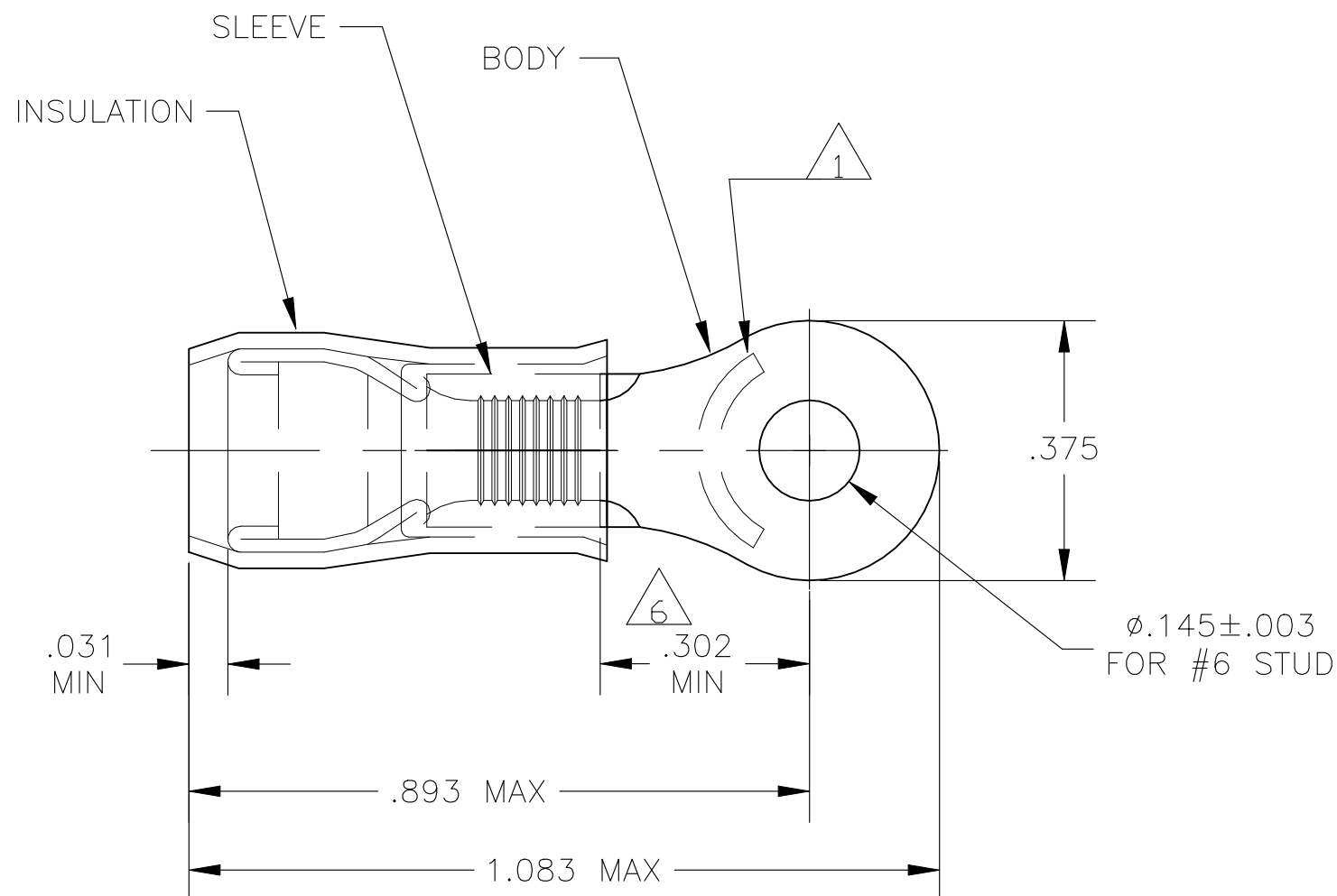


REVISIONS					
P	LTR	DESCRIPTION	DATE	DWN	APVD
	F4	REVISED PER ECN-22-156403	03JUN2022	RK	CSD



- 1 STAMP "AMP 12-10*" APPROX AS SHOWN
- 2 WIRE INSULATION DIA: .150-.250
- 3 TONGUE MATERIAL THK: .040±.002
- 4 BODY & SLEEVE: TIN PLATE .000100 MIN EXT. THK PER ASTM B545
- 5 BODY & SLEEVE- CU PER ASTM B152 INSULATION - NYLON PER ASTM D4066 COLOR - YELLOW
- 6 APPLIES FROM EDGE OF METAL WIRE BARREL TO CENTER OF STUD HOLE.
- 7 MEETS MS25036-111, CLASS 1
- 8 NOTE DELETED

50	LOOSE PIECE, BOX	8-35107-2
-500	ON TAPE, LG. BOX	2-35107-2
2500	ON TAPE & REEL	2-35107-1
---	LOOSE PIECE	7 35107
QTY	PACKAGE TYPE	PART NO

CUSTOMER SERVICE SYSTEMS		MAX RECOMMENDED OPERATING TEMPERATURE: 105°C MAX	THIS DRAWING IS A CONTROLLED DOCUMENT.		DWN JR RUTH 16DEC09	TE Connectivity				
FOR ADDITIONAL PRODUCT INFORMATION OR COPIES OF DRAWINGS AND TECHNICAL DOCUMENTS	PRODUCT INFORMATION CENTER 1-800-522-6752	VOLTAGE RATING: 300 VOLT MAX	DIMENSIONS: INCHES	TOLERANCES UNLESS OTHERWISE SPECIFIED:	CHK T MICHELUTTI 16DEC09					NAME TERMINAL, RING TONGUE, PIDG, WIRE SIZE: 12-10 AWG
FOR APPLICATION TOOLING INFORMATION	TOOLING ASSISTANCE CENTER 1-800-722-1111	CIRCULAR MIL AREA: 2.62-6.64mm² [5,180-13,100] STRANDED OR SOLID		0 PLC ± - 1 PLC ± - 2 PLC ± - 3 PLC ± .008 4 PLC ± - ANGLES ± -	APVD T MICHELUTTI 16DEC09	PRODUCT SPEC	SIZE	CAGE CODE	DRAWING NO	RESTRICTED TO
FOR ORDER ENTRY	1-800-526-5142		MATERIAL	FINISH		APPLICATION SPEC	A3	00779	C-35107	
					CUSTOMER DRAWING		SCALE	SHEET	REV	
							4:1	1 OF 1	F4	

Mouser Electronics

Authorized Distributor

Click to View Pricing, Inventory, Delivery & Lifecycle Information:

[TE Connectivity:](#)

[35107](#)