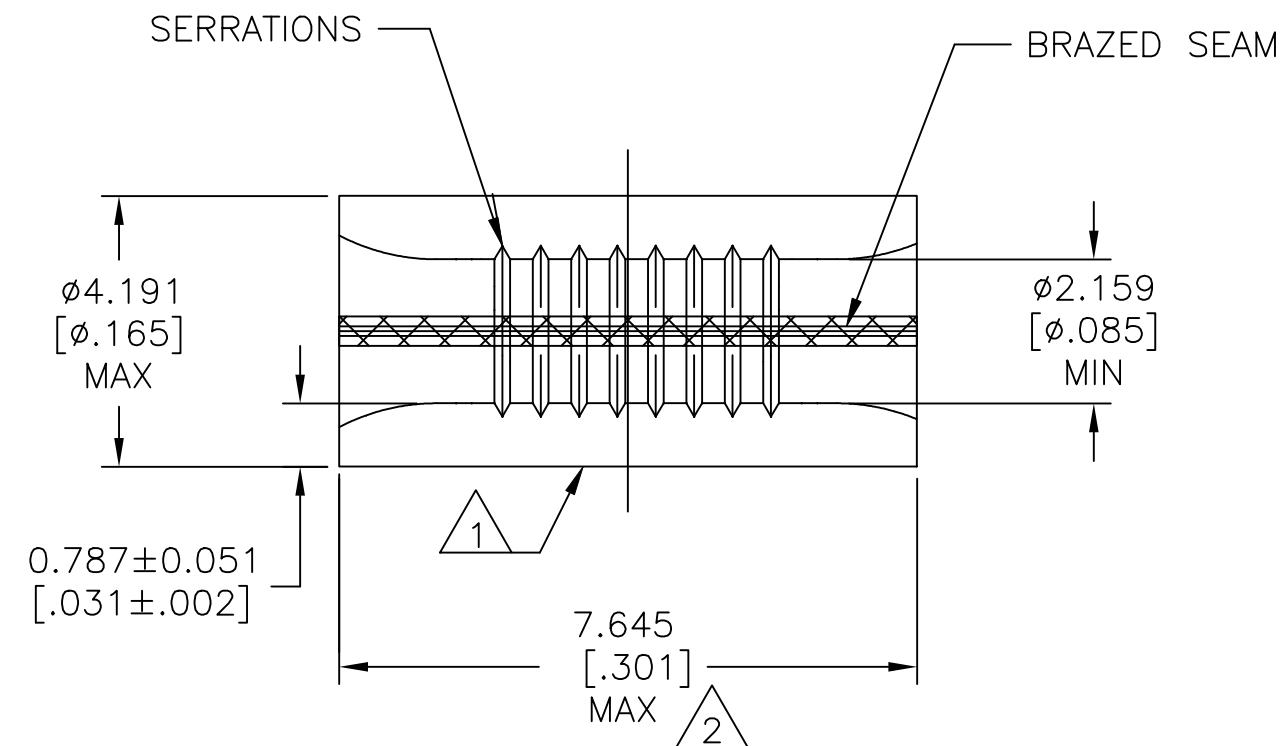
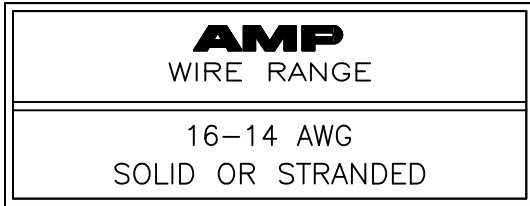


THIS DRAWING IS UNPUBLISHED. RELEASED FOR PUBLICATION
 © COPYRIGHT - By - ALL RIGHTS RESERVED.

REVISIONS					
P	LTR	DESCRIPTION	DATE	DWN	APVD
N1		REVISED PER ECO-11-011757	08JUN11	HMR	DR
N2		REVISED PER ECO-17-008808	07MAR2018	RS	DR



- 1 STAMP AMP 16-14* APPROX AS SHOWN
- 2 MAXIMUM LENGTH DOES NOT INCLUDE MANUFACTURING TABS
- 3 MATERIAL: COPPER PER ASTM B-152 ANNEALED
- 4 FINISH: TIN PLATE 0.00254 [.000100] MIN EXT THK PER ASTM B-545
- 5 FINISH: TIN/LEAD (60/40) PLATE, 0.00254 [.000100] MIN EXT THK PER SAE-AMS-P-81728
- 6 NOTE DELETED
- 7 UL LISTED E13288, 16-14 AWG SOLID OR STRANDED
- 8 CSA CERTIFIED LR7189, 16-14 AWG SOLID OR STRANDED
- 9 NOTE DELETED
- 10 GOLD PLATE 0.00127[.000050] MIN EXT THK PER ASTM B488, TYPE1, CODE C OVER NICKEL PLATE 0.00127[.000050] MIN EXT THK PER SAE AMS QQ-N-290 OVER Cu FLASH PER SAE AMS 2418

170°C[338°F]	7 8	4	100	LOOSE PIECE, BOX	8-34137-1
260°C[500°F]	----	10	1000	LOOSE PIECE	34137-4
170°C[338°F]	----	5	1000	LOOSE PIECE	34137-3
170°C[338°F]	7 8	4	1000	LOOSE PIECE	34137
MAX TEMP	APPROVALS	FINISH	QTY	PACKAGE TYPE	PART NO

AMP INCORPORATED
CUSTOMER SERVICE SYSTEMS

MAX RECOMMENDED OPERATING TEMPERATURE:
 SEE TABLE

VOLTAGE RATING:
 N/A

CIRCULAR MIL AREA:
 1.04-2.62mm²[2,050-5,180]
 SOLID OR STRANDED

FOR ADDITIONAL PRODUCT INFORMATION OR COPIES OF DRAWINGS AND TECHNICAL DOCUMENTS
 PRODUCT INFORMATION CENTER
 1-800-522-6752

FOR APPLICATION TOOLING INFORMATION
 TOOLING ASSISTANCE CENTER
 1-800-722-1111

FOR ORDER ENTRY
 1-800-526-5142

THIS DRAWING IS A CONTROLLED DOCUMENT FOR AMP INCORPORATED. IT IS SUBJECT TO CHANGE AND THE CONTROLLING ENGINEERING ORGANIZATION SHOULD BE CONTACTED FOR THE LATEST REVISION.

THIS DRAWING IS A CONTROLLED DOCUMENT.

DIMENSIONS: mm [INCHES]

TOLERANCES UNLESS OTHERWISE SPECIFIED:

0 PLC	± -
1 PLC	± -
2 PLC	± -
3 PLC	± 0.127[.005]
4 PLC	± -
ANGLES	± -

FINISH: SEE TABLE

MATERIAL: - 3

THIS DRAWING IS A CONTROLLED DOCUMENT. DWN TA BRINKMAN 4-13-93
 CHK DA PATTERSON 4-13-93
 APVD DA PATTERSON 4-13-93

NAME: SPLICE, PARALLEL, SOLISTRAND 16-14 AWG

SIZE: A2 CAGE CODE: 00779 DRAWING NO: C=34137 RESTRICTED TO: -

WEIGHT: CUSTOMER DRAWING SCALE: 10:1 SHEET: 1 of 1 REV: N2

TE TE Connectivity Ltd.

Mouser Electronics

Authorized Distributor

Click to View Pricing, Inventory, Delivery & Lifecycle Information:

[TE Connectivity:](#)

[34137](#)