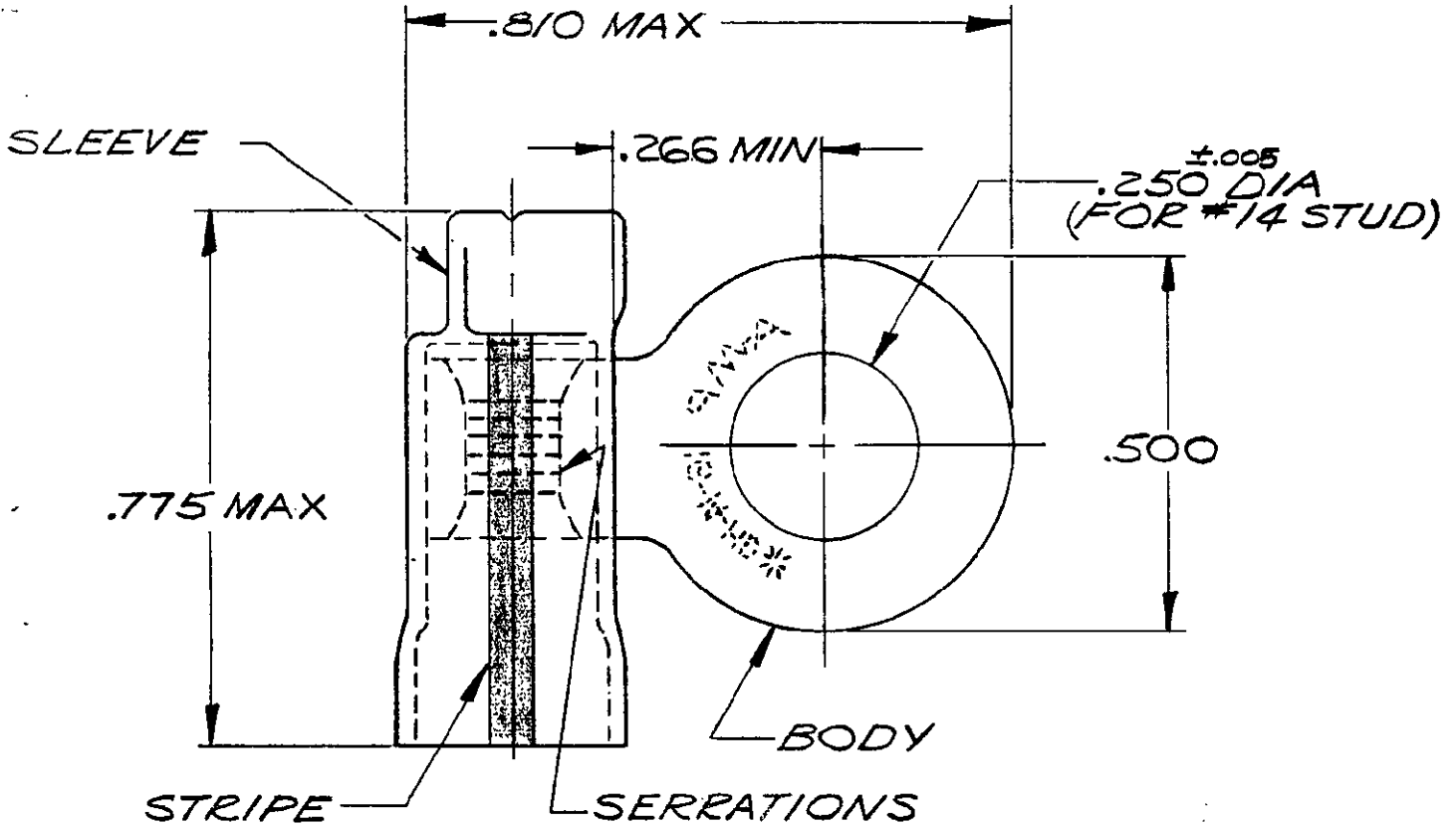


DRAWING MADE IN AMERICAN PROJECTION

LOC **G** PRINT DIST **14**

© 1954 BY AMP INCORPORATED. ALL RIGHTS RESERVED. AMP PRODUCTS COVERED BY PATENTS AND/OR PATENTS PENDING.

REVISIONS			
LTR	DESCRIPTION	DATE	APPROVED
E	REV/0L20-0085-97	11/13-97	ME/SB
C	REV/G-020492	LO 10/92	ME
D	REV/0720-0309-93	LO 9/93	ME



STRIPES  
COLOR: BLACK

TONGUE MAT'L THK .048 ±.002

1	.320 MAX	322313-0	SLEEVE: PVC, COLOR: NATURAL
		OBSOLETE	
1	.150 - .230	322313	BODY: COPPER (QQ-C-576) TIN PLATE (MIL-T-10727)

QTY FOR WIRE INS. DIA. PART NO. MATERIAL AND FINISH

UNLESS OTHERWISE SPECIFIED DIMENSIONS ARE IN INCHES  
TOLERANCES ON:  
DECIMALS ± .008  
ANGLES ± 5°

MATERIAL  
**SEE TABLE**

CONTRACT NO. #

DR. *Stair Sink 4-17-69*

CHK *H. Youngblood 4-17-69*

APPD *H. Youngblood 4-17-69*

REL *M. Encarnacion*

DSGN APPD

OTHER APPD

**AMP** AMP INCORPORATED  
HARRISBURG, PENNSYLVANIA

NAME  
**WIRE TERMINAL  
PLASTI-GRIP-RING TONGUE-FLAG  
WIRE SIZE: 16-14 HD**

SIZE	CODE IDENT NO.	NUMBER
<b>A</b>	<b>00779</b>	<b>322313</b>

SCALE 4:1 SHEET 1 OF 1

# Mouser Electronics

Authorized Distributor

Click to View Pricing, Inventory, Delivery & Lifecycle Information:

[TE Connectivity:](#)

[322313](#)