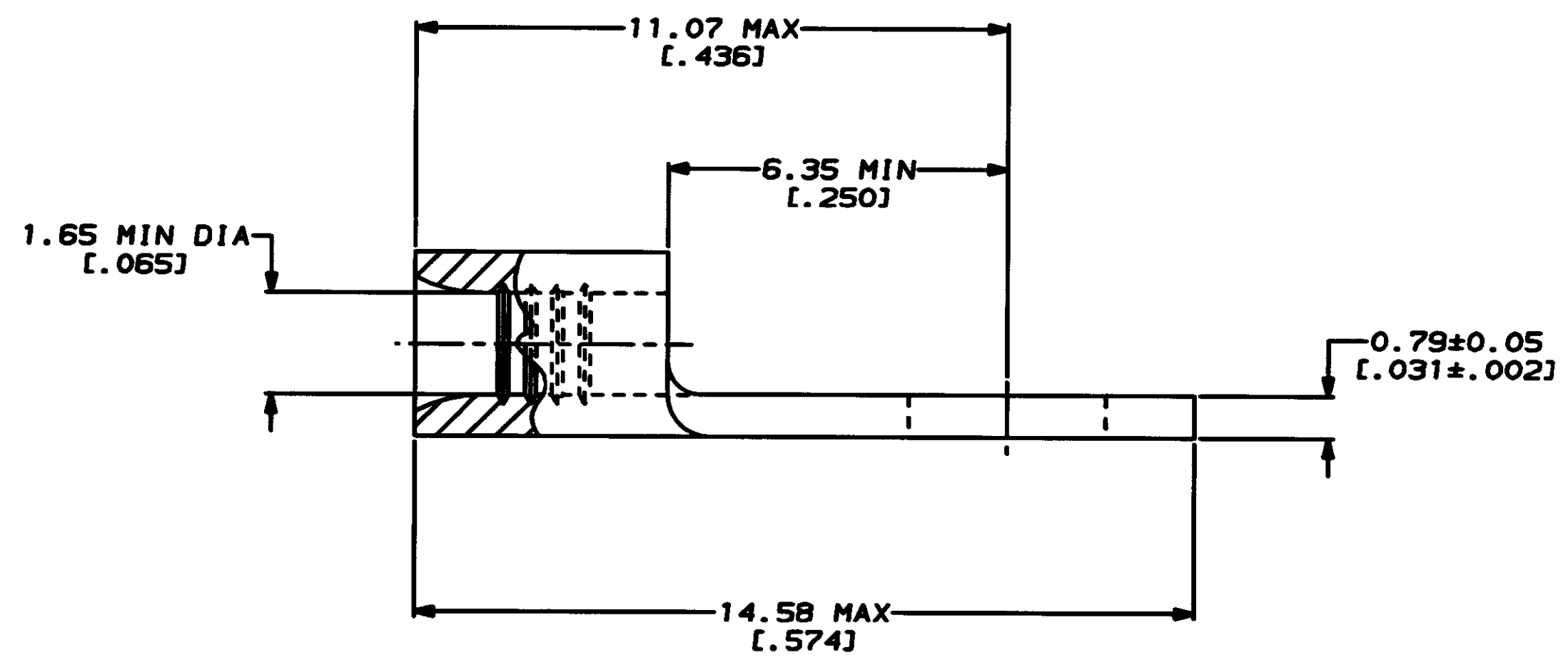
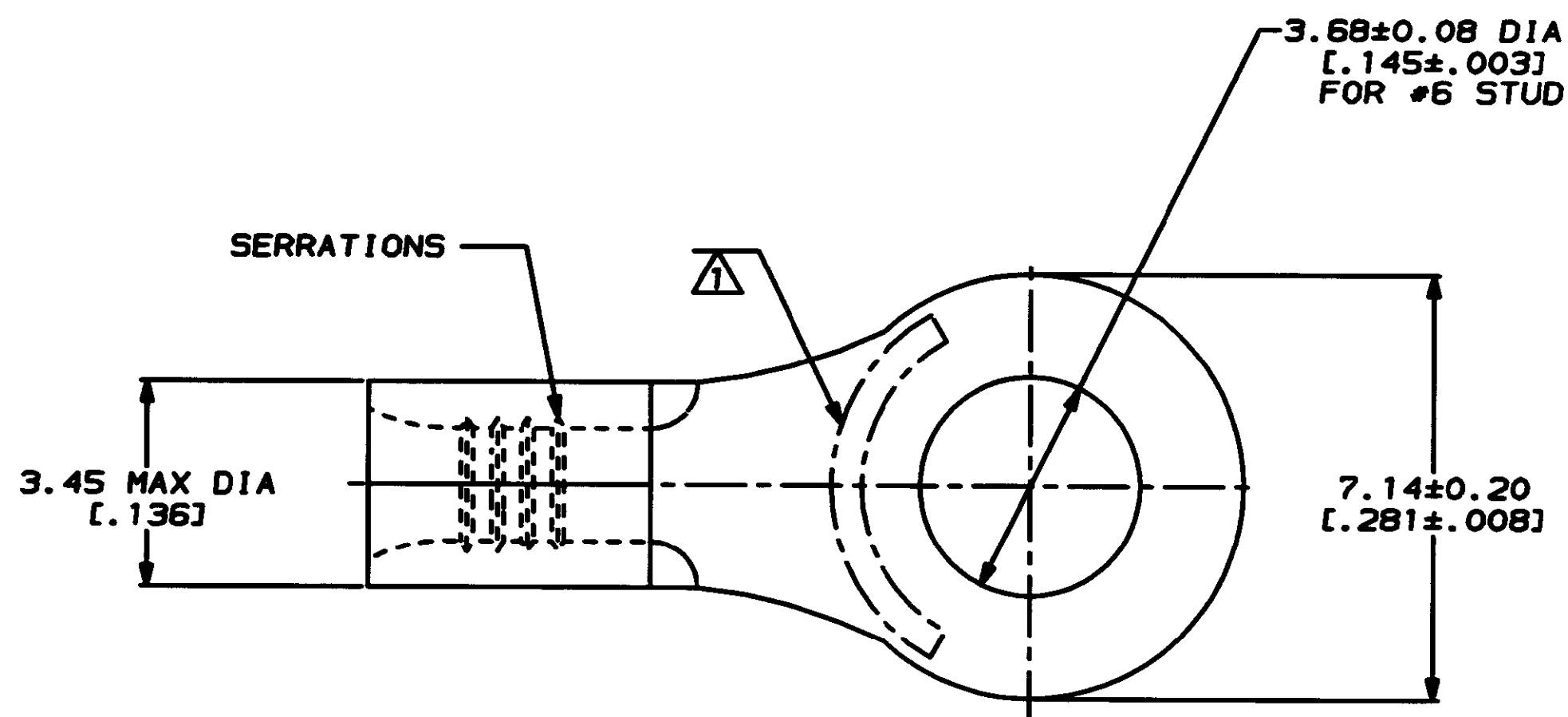


| LOG | DIST | ZONE | LTR | DESCRIPTION | DATE | APPD |
|-----|------|------|-----|--------------------------|---------|------|
| G | 14 | | | REVISED PER 0720-0230-93 | 2/28/93 | DAP |

METRIC
 DIMENSIONS LISTED IN mm [INCHES]

| | |
|--------------------------|---------------------------|
| AMP WIRE RANGE | E13288 Listed |
| 22-16 AWG STRANDED | 22-16 AWG STRANDED |
| LR7189 Certified | MILITARY P/N AND CLASS |
| NOT CERTIFIED | NOT APPLICABLE |

1 STAMP AMP 22-18* APPROX AS SHOWN
 22-16 TERMINALS ARE STAMPED 22-18 IN
 ACCORDANCE WITH MILITARY SPECIFICATION
 MIL-T-7928, COMMERCIAL WIRE RANGE IS 22-16



| | | | | | | |
|--|--|---|--|---|--|------------------------------|
| AMP INCORPORATED CUSTOMER SERVICE SYSTEMS | | MAX RECOMMENDED OPERATING TEMPERATURE: 170°C MAX | DO NOT SCALE PRINT. UNLESS SPECIFIED DIMENSIONS IN mm [INCHES] TOLERANCES ON: 2 PLC DEC ± - 3 PLC DEC ± - ANGLES ± - | DR 2-3-93 TA BRINKMAN CHK 2-3-93 DA PATTERSON APPD 2-3-93 DE MILLER APPD 2-3-93 JL NECKLEY PRODUCT SPEC - APPLICATION SPEC - WEIGHT - | 31264 PART NO | |
| FOR ADDITIONAL PRODUCT INFORMATION OR COPIES OF DRAWINGS AND TECHNICAL DOCUMENTS | PRODUCT INFORMATION CENTER 1-800-522-6752 | VOLTAGE RATING: NOT APPLICABLE | MATERIAL COPPER PER ASTM B-152 ANNEALED | AMP Incorporated Harrisburg, PA 17105-3608 | NAME TERMINAL, RING TONGUE, BUDGET | |
| FOR APPLICATION TOOLING INFORMATION | TOOLING ASSISTANCE CENTER 1-800-722-1111 | WIRE CROSS SECTIONAL AREA RANGE: 0.26-1.65mm ² [509-3,260] CIR MILS STRANDED | FINISH TIN PLATE 0.00254 [.000100] MIN THK PER MIL-T-10727 | SIZE C | | SIZE C |
| FOR ORDER ENTRY | 1-800-526-5142 | THIS DRAWING IS A CONTROLLED DOCUMENT FOR AMP INCORPORATED. IT IS SUBJECT TO CHANGE AND THE CONTROLLING ORGANIZATION SHOULD BE CONTACTED FOR THE LATEST REVISION. | | CAGE CODE 00779 | | DRAWING NO C-31264 |
| | | | | SCALE 10:1 | SHEET 1 OF 1 | |

Mouser Electronics

Authorized Distributor

Click to View Pricing, Inventory, Delivery & Lifecycle Information:

[TE Connectivity:](#)

[31264](#)