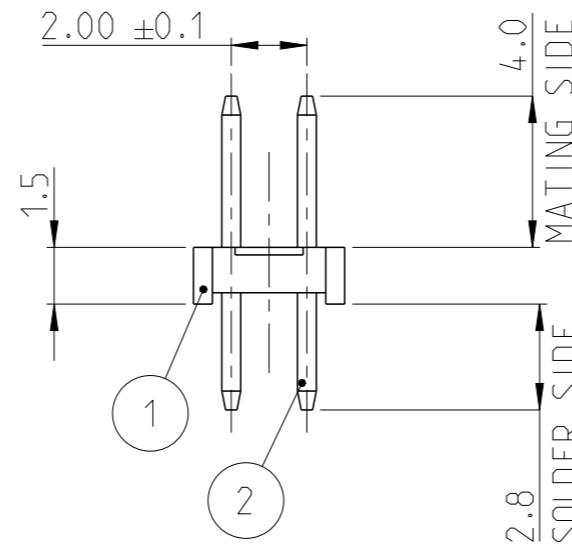
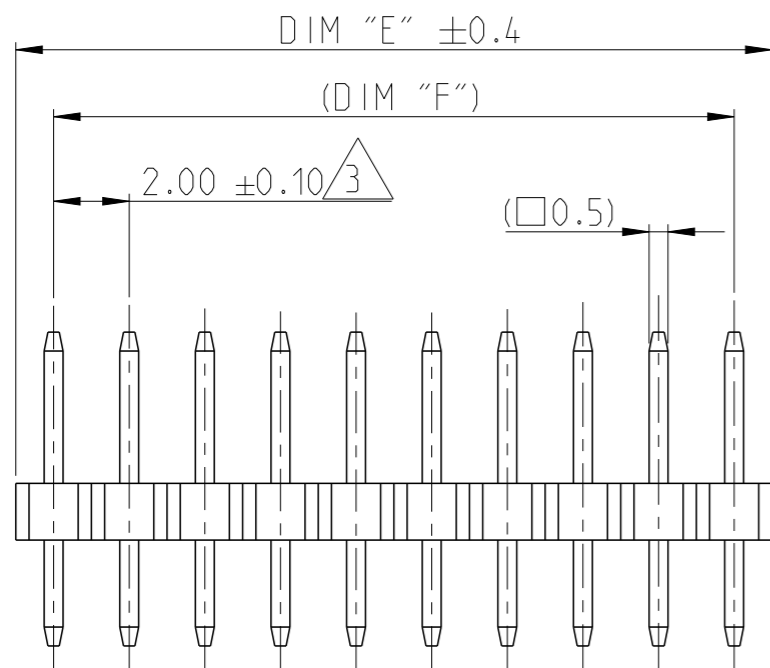
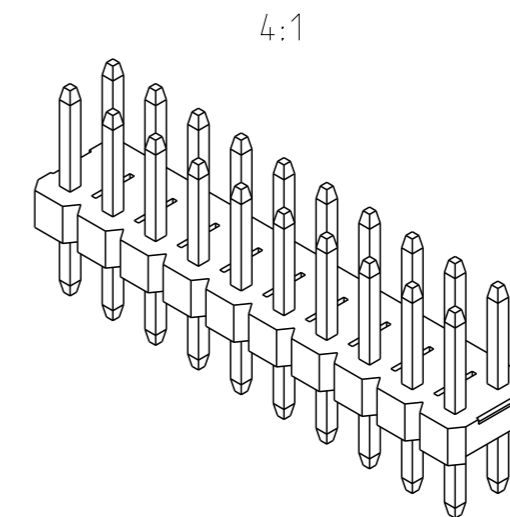
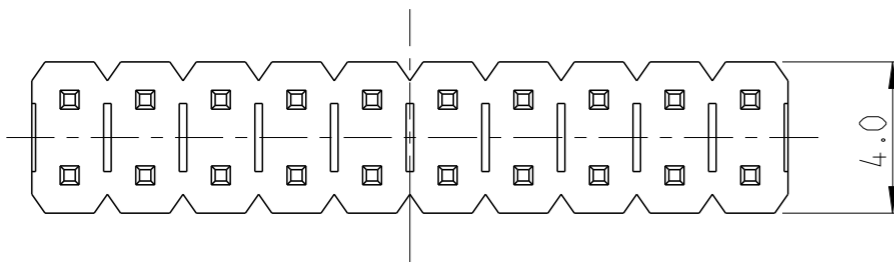


| P  | LTR | DESCRIPTION                  | DATE      | DWN | APVD |
|----|-----|------------------------------|-----------|-----|------|
| A  |     | PRODUCTION RELEASE           | 30AUG2019 | SS  | PS   |
| A1 |     | REMOVED TOLERANCE FROM DIM F | 18DEC2019 | AY  | PS   |

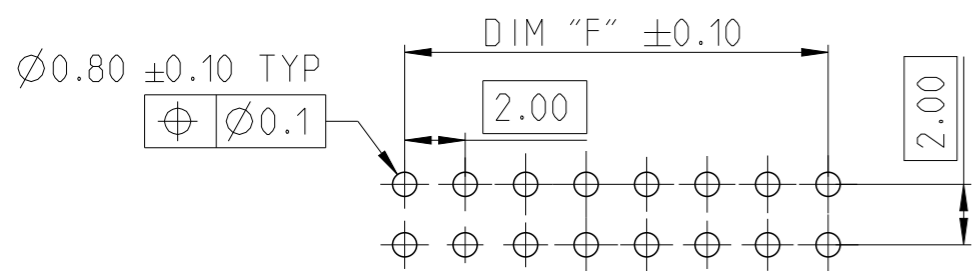


NOTES:

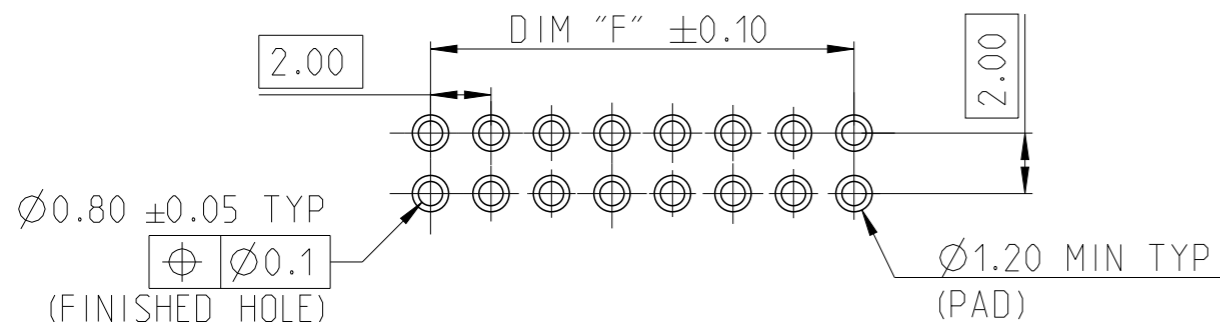
- MATERIAL  
HOUSING : HIGH TEMPERATURE THERMOPLASTIC, UL94-V0; COLOR- BLACK  
CONTACT PIN : COPPER ALLOY  
FINISH :  
MATING SIDE : MIN. 0.1 μm GOLD OVER NICKEL UNDER PLATING.  
SOLDER SIDE : MIN. 2.0 μm BRIGHT TIN OVER NICKEL UNDER PLATING.
- PACKAGING: TUBE.
- TOLERANCE NOT CUMULATIVE.
- CUTTING BURR MAX. 0.25 mm.



| DIM "F" | DIM "E" | POS PER ROW | TE PN       |
|---------|---------|-------------|-------------|
| 48.0    | 50.0    | 25          | 2-2842126-5 |
| 46.0    | 48.0    | 24          | 2-2842126-4 |
| 44.0    | 46.0    | 23          | 2-2842126-3 |
| 42.0    | 44.0    | 22          | 2-2842126-2 |
| 40.0    | 42.0    | 21          | 2-2842126-1 |
| 38.0    | 40.0    | 20          | 2-2842126-0 |
| 36.0    | 38.0    | 19          | 1-2842126-9 |
| 34.0    | 36.0    | 18          | 1-2842126-8 |
| 32.0    | 34.0    | 17          | 1-2842126-7 |
| 30.0    | 32.0    | 16          | 1-2842126-6 |
| 28.0    | 30.0    | 15          | 1-2842126-5 |
| 26.0    | 28.0    | 14          | 1-2842126-4 |
| 24.0    | 26.0    | 13          | 1-2842126-3 |
| 22.0    | 24.0    | 12          | 1-2842126-2 |
| 20.0    | 22.0    | 11          | 1-2842126-1 |
| 18.0    | 20.0    | 10          | 1-2842126-0 |
| 16.0    | 18.0    | 9           | 2842126-9   |
| 14.0    | 16.0    | 8           | 2842126-8   |
| 12.0    | 14.0    | 7           | 2842126-7   |
| 10.0    | 12.0    | 6           | 2842126-6   |
| 8.0     | 10.0    | 5           | 2842126-5   |
| 6.0     | 8.0     | 4           | 2842126-4   |
| 4.0     | 6.0     | 3           | 2842126-3   |
| 2.0     | 4.0     | 2           | 2842126-2   |



RECOMMENDED PCB HOLE PATTERN FOR THROUGH HOLE WAVE



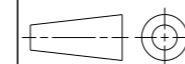
RECOMMENDED PCB HOLE PATTERN FOR THROUGH HOLE REFLOW /PIN-IN-PASTE

1-2842126-0 AS SHOWN

| DESCRIPTION | ITEM NO. |
|-------------|----------|
| CONTACT PIN | 2        |
| HOUSING     | 1        |

THIS DRAWING IS A CONTROLLED DOCUMENT.

DIMENSIONS:  
mm



MATERIAL  
SEE NOTES

TOLERANCES UNLESS OTHERWISE SPECIFIED:

- 0 PLC ±0.2
- 1 PLC ±0.15
- 2 PLC ±0.15
- 3 PLC ±0.15
- 4 PLC ±0.15
- ANGLES ±2°

FINISH  
SEE NOTES

DWN 06AUG2019

SUBHASREE S

CHK 08AUG2019

KARTHIK JK

APVD 09AUG2019

PRASHANTH S

PRODUCT SPEC

108-64040

APPLICATION SPEC

114-32259

WEIGHT

-

CUSTOMER DRAWING

NAME  
AMPMODU 2mm BREAKAWAY HEADER,  
DUAL ROW, VERTICAL, 0.1 Au, TUBE

SIZE CAGE CODE DRAWING NO RESTRICTED TO

A3 00779 C-2842126



SCALE 5:1 SHEET 1 OF 1 REV A1

# Mouser Electronics

Authorized Distributor

Click to View Pricing, Inventory, Delivery & Lifecycle Information:

[TE Connectivity:](#)

[2842126-3](#)