

THIS DRAWING IS UNPUBLISHED.

RELEASED FOR PUBLICATION

20

LOC

DIST

REVISIONS

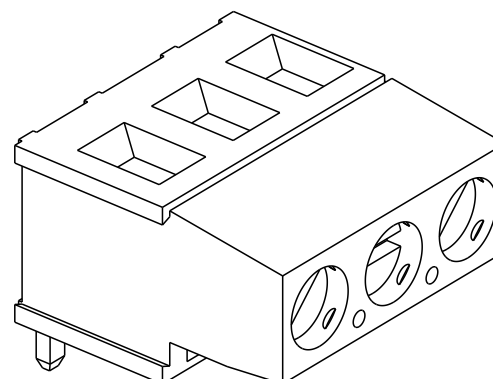
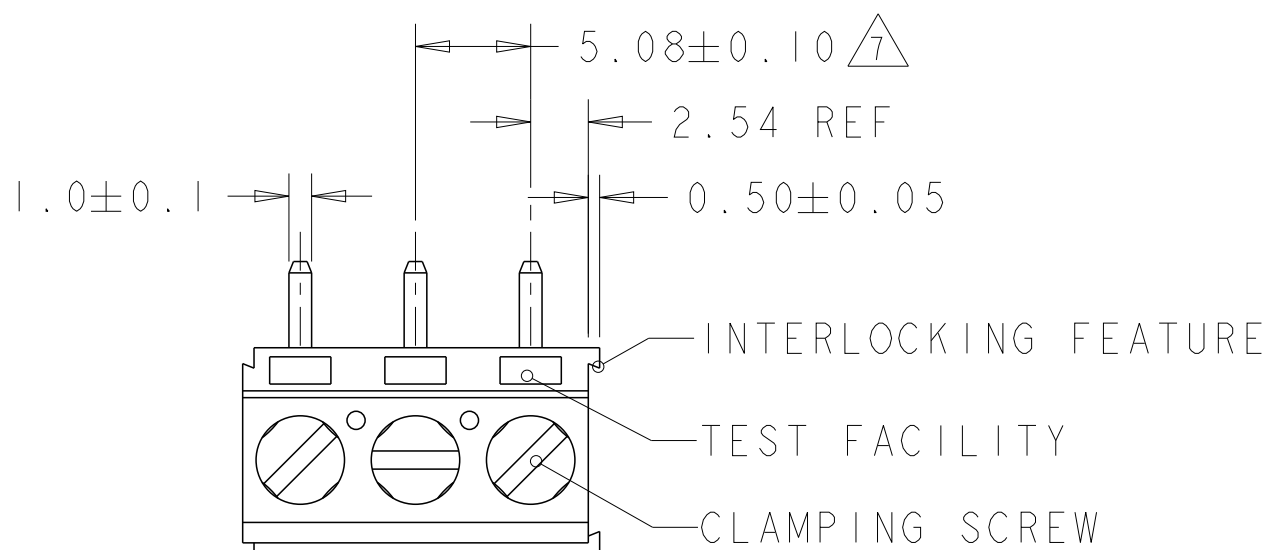
© COPYRIGHT 20

ALL RIGHTS RESERVED.

FT

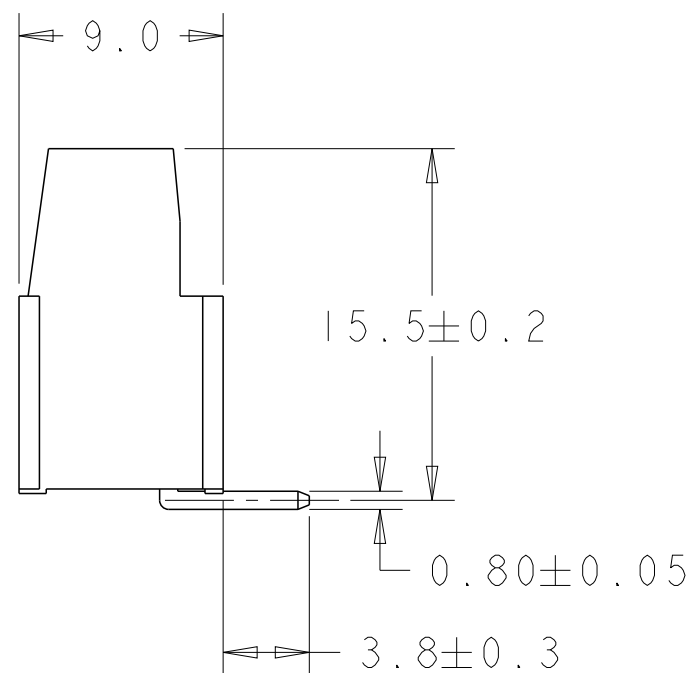
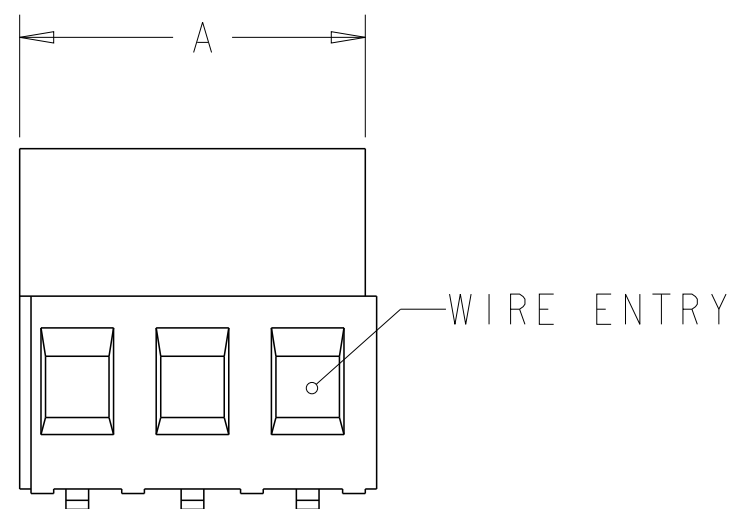
0

P	LTR	DESCRIPTION	DATE	DWN	APVD
	C3	UL APPROVED CURRENT RATING	06APR2018	RK	PS

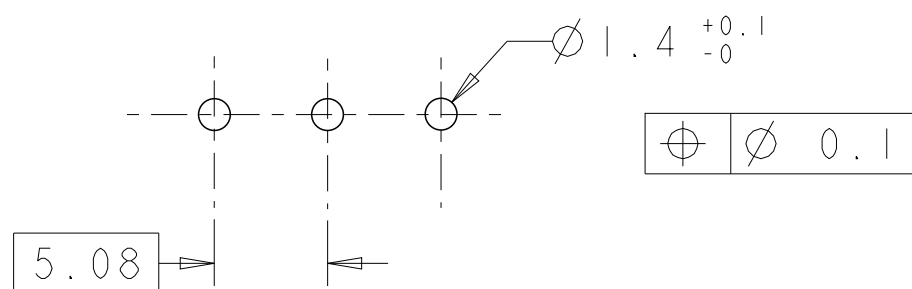


282851-3 AS SHOWN

	DIM A	No OF POS	PART NUMBER
	127.00	25	<del>2-282851-5</del>
	121.92	24	<del>2-282851-4</del>
	116.84	23	<del>2-282851-3</del>
	111.76	22	<del>2-282851-2</del>
	106.68	21	<del>2-282851-1</del>
	101.60	20	<del>2-282851-0</del>
OBSOLETE	96.52	19	<del>1-282851-9</del>
	91.44	18	<del>1-282851-8</del>
	86.36	17	<del>1-282851-7</del>
	81.28	16	<del>1-282851-6</del>
	76.20	15	<del>1-282851-5</del>
	71.12	14	<del>1-282851-4</del>
	66.04	13	<del>1-282851-3</del>
	60.96	12	<del>1-282851-2</del>
OBSOLETE	55.88	11	<del>1-282851-1</del>
	50.80	10	<del>1-282851-0</del>
OBSOLETE	45.72	9	<del>282851-9</del>
	40.64	8	<del>282851-8</del>
OBSOLETE	35.56	7	<del>282851-7</del>
	30.48	6	<del>282851-6</del>
	25.40	5	<del>282851-5</del>
	20.32	4	<del>282851-4</del>
	15.24	3	<del>282851-3</del>
	10.16	2	<del>282851-2</del>
	DIM A	No OF POS	PART NUMBER



RECOMMENDED PCB LAYOUT



THIS DRAWING IS A CONTROLLED DOCUMENT.

DIMENSIONS: mm

TOLERANCES UNLESS OTHERWISE SPECIFIED:

- 0 PLC ±-
- 1 PLC ±.3
- 2 PLC ±.25
- 3 PLC ±-
- 4 PLC ±-
- ANGLES ±2
- FINISH

MATERIAL



DWN 20AUG2001

E. ZANOLINI

CHK 20AUG2001

D. BIEVENOUR

APVD 20AUG2001

D. BIEVENOUR

PRODUCT SPEC

108-20166

APPLICATION SPEC

114-20079

WEIGHT

-

CUSTOMER DRAWING



TE Connectivity

NAME  
TERMINAL BLOCK PCB MOUNT  
TOP ENTRY WIRE, STACKING  
W/INTERLOCK, 5.08mm PITCH

SIZE CAGE CODE DRAWING NO RESTRICTED TO

A300779 C-282851 -

SCALE 3:1 SHEET 1 OF 2 REV C3

THIS DRAWING IS UNPUBLISHED.

RELEASED FOR PUBLICATION

20

© COPYRIGHT 20

ALL RIGHTS RESERVED.

LOC  
FT

DIST  
0

REVISIONS

P	LTR	DESCRIPTION	DATE	DWN	APVD
	-	SEE SHEET 1	-	-	-

NOTES:



MATERIALS AND FINISH

HOUSING: PA 6-6, UL 94-V0, COLOR GREEN.  
 CLAMP: BRASS, NICKEL PLATED.  
 TERMINAL: BRASS, TIN PLATED.  
 CLAMPING SCREW: M3, BRASS, NICKEL PLATED.

2

MECHANICAL PROPERTIES

MIN. PC BOARD HOLES DIAMETER : 1,4mm  
 MAX. PC BOARD THICKNESS : 2,4mm.  
 WIRE STRIPPING LENGTH : 5.5-6.5 mm  
 RECOMMENDED TIGHTENING TORQUE: 0,5 Nm.

3

END-TO-END STACKABLE W/INTERLOCK WITHOUT LOSS OF CENTERLINE SPACING.

4

ELECTRICAL PROPERTIES

WIRE RANGE:

- SOLID WIRE : 0,05-2,5mm<sup>2</sup> (12-30 AWG).  
 - STRANDED WIRE : 0,05-2,5mm<sup>2</sup> (12-30 AWG).  
 MAX. VOLTAGE : 300 V  
 MAX CURRENT : 17.5 A  
 CONTACT RESISTANCE : <15 m Ohm  
 INSULATION RESISTANCE : >1000 M Ohm (500V DC)

5


RECOGNIZED UNDER THE COMPONENT PROGRAM OF UNDERWRITERS LABORATORIES INC. FILE NO E60677.

6

OPERATING TEMPERATURE RANGE: -40°C TO +110°C



NOT CUMULATIVE TOLERANCE.

THIS DRAWING IS A CONTROLLED DOCUMENT.		DWN E. ZANOLINI 20AUG2001	 TE Connectivity	
DIMENSIONS: mm		CHK D. BIEVENOUR 20AUG2001		
TOLERANCES UNLESS OTHERWISE SPECIFIED:		APVD D. BIEVENOUR 20AUG2001	NAME TERMINAL BLOCK PCB MOUNT TOP ENTRY WIRE, STACKING W/INTERLOCK, 5.08mm PITCH	
0 PLC ± 1 PLC ±.3 2 PLC ±.25 3 PLC ± 4 PLC ± ANGLES ±2		PRODUCT SPEC 108-20166	RESTRICTED TO	
MATERIAL		APPLICATION SPEC 114-20079	SIZE A3	CAGE CODE 00779
FINISH		WEIGHT -	DRAWING NO C-282851	SCALE 3:1
CUSTOMER DRAWING			SHEET 2	OF 2
			REV C3	

# Mouser Electronics

Authorized Distributor

Click to View Pricing, Inventory, Delivery & Lifecycle Information:

[TE Connectivity:](#)

[282851-2](#)