

THIS DRAWING IS UNPUBLISHED.

RELEASED FOR PUBLICATION

© COPYRIGHT - By -

ALL RIGHTS RESERVED.

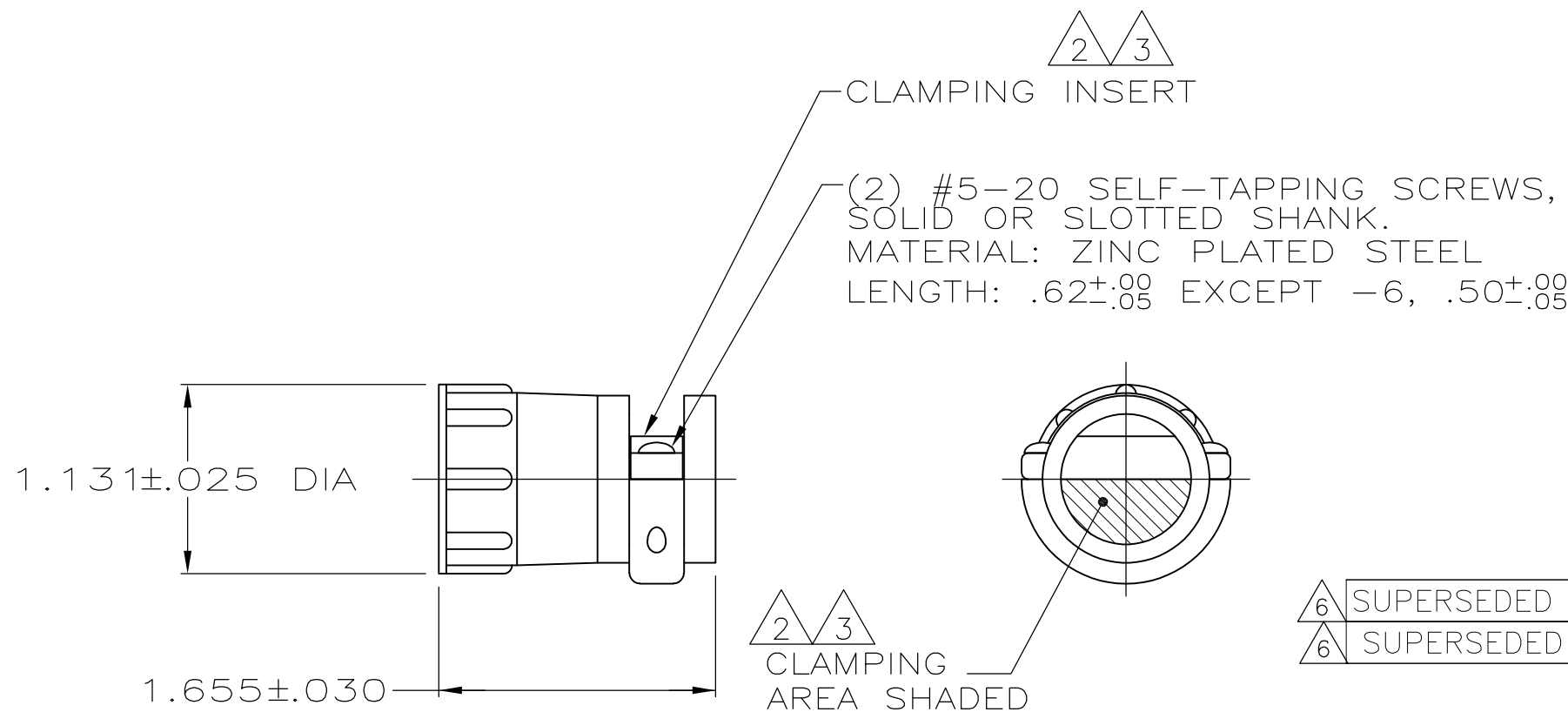
LOC
FT

DIST
0


REVISIONS

P	LTR	DESCRIPTION	DATE	DWN	APVD
	P3	REVISED PER ECO-11-004587	11MAR11	RK	HMR

- 1 PARTS PACKAGED UNASSEMBLED.
- △2 CABLE CLAMPING AREA ADJUSTABLE FROM .100 TO .410 SQ IN BY REVERSING CLAMPING INSERTS. (2 INSERTS SUPPLIED, -1 AND -2 ONLY)
- △3 CABLE CLAMPING AREA ADJUSTABLE FROM .100 TO .410 SQ IN BY CHANGING CLAMPING INSERTS. (4 INSERTS SUPPLIED, -4 ONLY)
- 4 .703 MAXIMUM CABLE OUTSIDE DIAMETER.
- △5 BULK PACKAGED KITS TO BE ORDERED IN MULTIPLES OF 100 ONLY.
- △6 NON-HEXAVALENT CHROMATE FINISH.
- △7 OBSOLETE PARTS: OBSOLETE CIS STREAMLINING PER D.RENAUD/D.SINISI



FINISH	PACKAGING	PART NUMBER
△6	INDIVIDUAL	1-206322-1
△6	△5 BULK	1-206322-0
△6	INDIVIDUAL	206322-9
△6	△7 OBSOLETE - SMALL PACK	206322-8
△6	△7 OBSOLETE - INDIVIDUAL	206322-7
△6	△5 BULK	206322-6
△7	△6 OBSOLETE - SMALL PACK	206322-5
△6	OBSOLETE - INDIVIDUAL	206322-4
△6	SUPERSEDED BY 1-206322-0	△5 BULK 206322-2
△6	SUPERSEDED BY 206322-9	INDIVIDUAL 206322-1

THIS DRAWING IS A CONTROLLED DOCUMENT.		DWN A GRAFF 4/23/91	 TE Connectivity														
DIMENSIONS: INCHES		CHK W.G.LENKER 7-22-92															
TOLERANCES UNLESS OTHERWISE SPECIFIED:		APVD -	NAME CABLE CLAMP KIT, LARGE, SHELL SIZE 17, CPC														
<table border="0"> <tr> <td>0 PLC</td> <td>± -</td> </tr> <tr> <td>1 PLC</td> <td>± -</td> </tr> <tr> <td>2 PLC</td> <td>± -</td> </tr> <tr> <td>3 PLC</td> <td>± -</td> </tr> <tr> <td>4 PLC</td> <td>± -</td> </tr> <tr> <td>ANGLES</td> <td>± -</td> </tr> </table>		0 PLC	± -	1 PLC	± -	2 PLC	± -	3 PLC	± -	4 PLC	± -	ANGLES	± -	PRODUCT SPEC 108-10024	RESTRICTED TO		
0 PLC	± -																
1 PLC	± -																
2 PLC	± -																
3 PLC	± -																
4 PLC	± -																
ANGLES	± -																
MATERIAL THERMOPLASTIC		FINISH -	APPLICATION SPEC -	SIZE A3	CAGE CODE 00779												
		WEIGHT -	APPLIC. SPEC -	DRAWING NO C-206322	REV P3												
CUSTOMER DRAWING			SCALE NTS	SHEET 1 OF 1													

Mouser Electronics

Authorized Distributor

Click to View Pricing, Inventory, Delivery & Lifecycle Information:

[TE Connectivity:](#)

[206322-9](#)