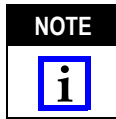
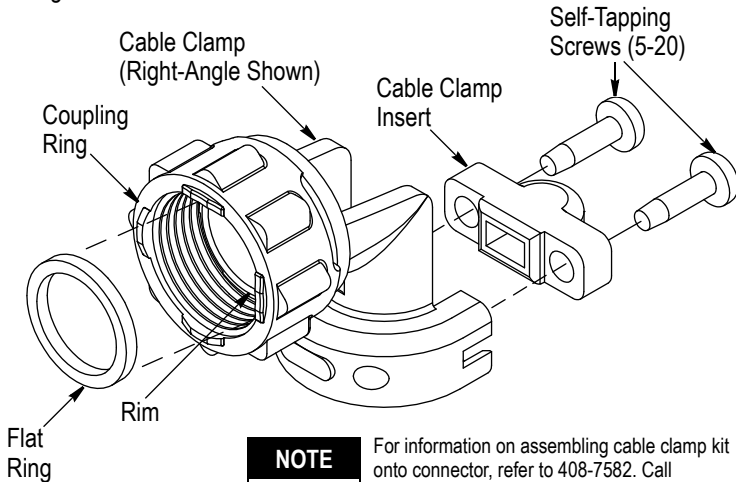


Before Assembling Cable Clamp Kit onto Connector:

- ① Insert Flat Ring Into Coupling Ring
- ② Make Sure Flat Ring is Not Twisted and Fully Seated on Rim

Important: The Flat Ring Must Be Used on Right-Angle Cable Clamps Being Installed onto Series 2 Connectors

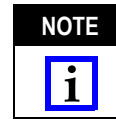
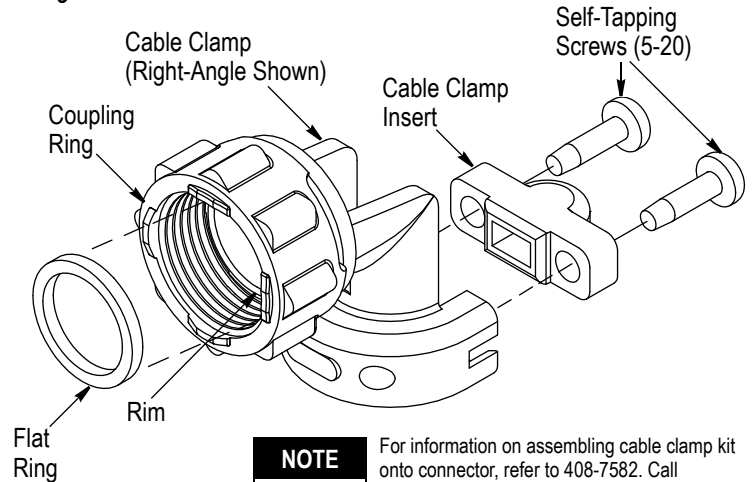


For information on assembling cable clamp kit onto connector, refer to 408-7582. Call PRODUCT INFORMATION at 1-800-522-6752.

Before Assembling Cable Clamp Kit onto Connector:

- ① Insert Flat Ring Into Coupling Ring
- ② Make Sure Flat Ring is Not Twisted and Fully Seated on Rim

Important: The Flat Ring Must Be Used on Right-Angle Cable Clamps Being Installed onto Series 2 Connectors

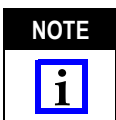
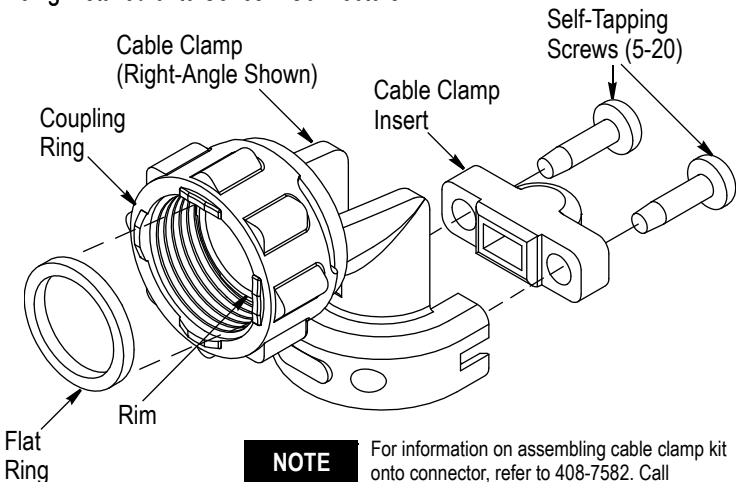


For information on assembling cable clamp kit onto connector, refer to 408-7582. Call PRODUCT INFORMATION at 1-800-522-6752.

Before Assembling Cable Clamp Kit onto Connector:

- ① Insert Flat Ring Into Coupling Ring
- ② Make Sure Flat Ring is Not Twisted and Fully Seated on Rim

Important: The Flat Ring Must Be Used on Right-Angle Cable Clamps Being Installed onto Series 2 Connectors

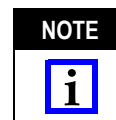
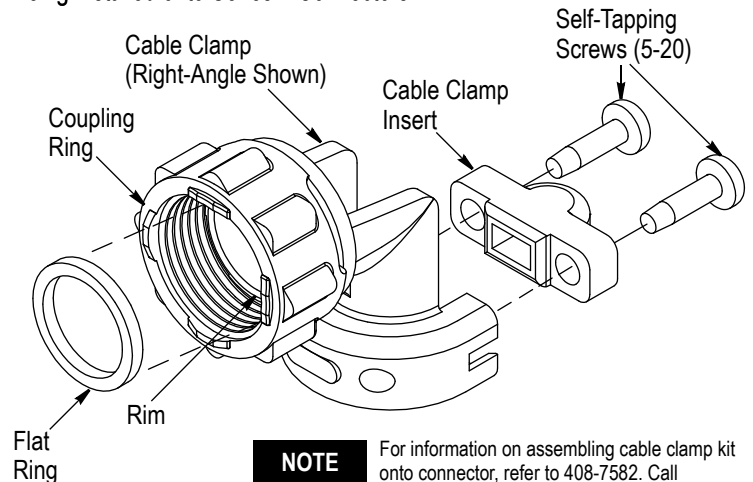


For information on assembling cable clamp kit onto connector, refer to 408-7582. Call PRODUCT INFORMATION at 1-800-522-6752.

Before Assembling Cable Clamp Kit onto Connector:

- ① Insert Flat Ring Into Coupling Ring
- ② Make Sure Flat Ring is Not Twisted and Fully Seated on Rim

Important: The Flat Ring Must Be Used on Right-Angle Cable Clamps Being Installed onto Series 2 Connectors



For information on assembling cable clamp kit onto connector, refer to 408-7582. Call PRODUCT INFORMATION at 1-800-522-6752.