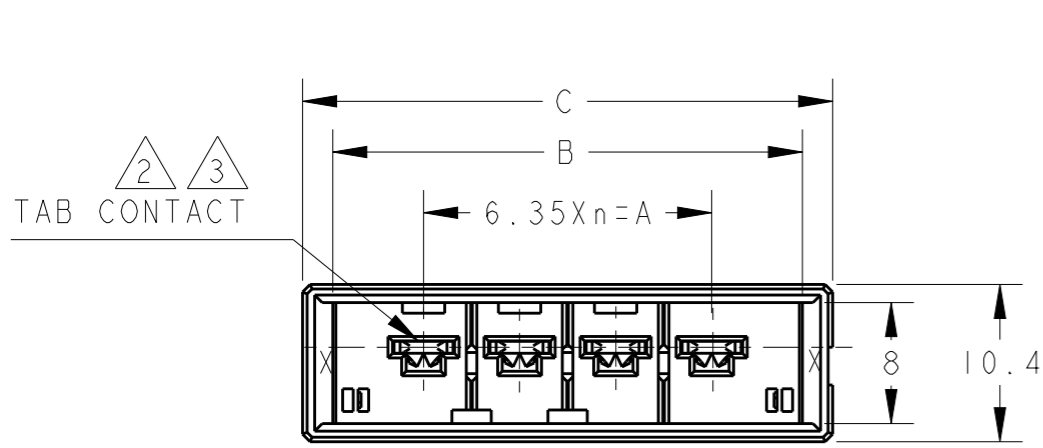
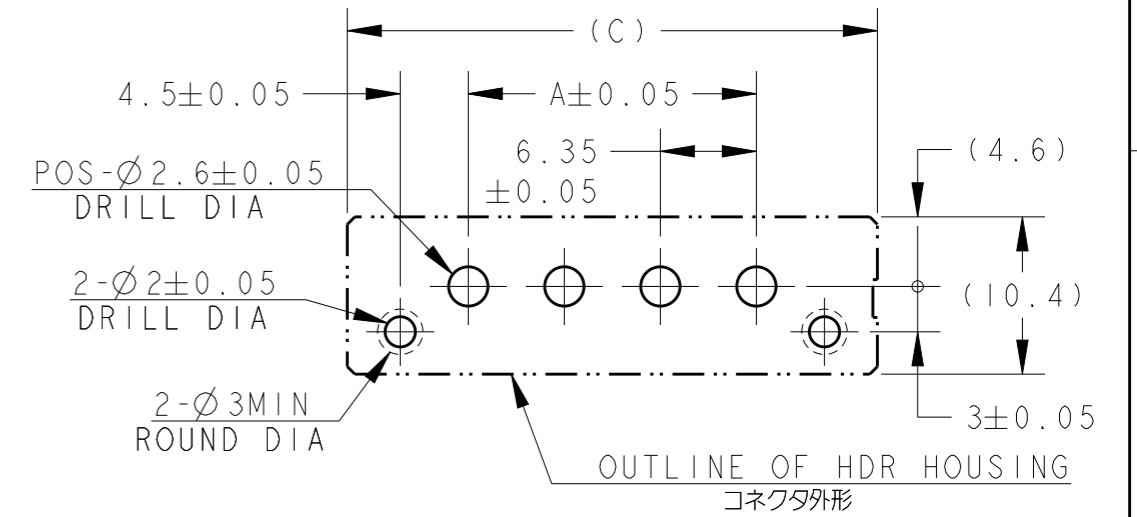
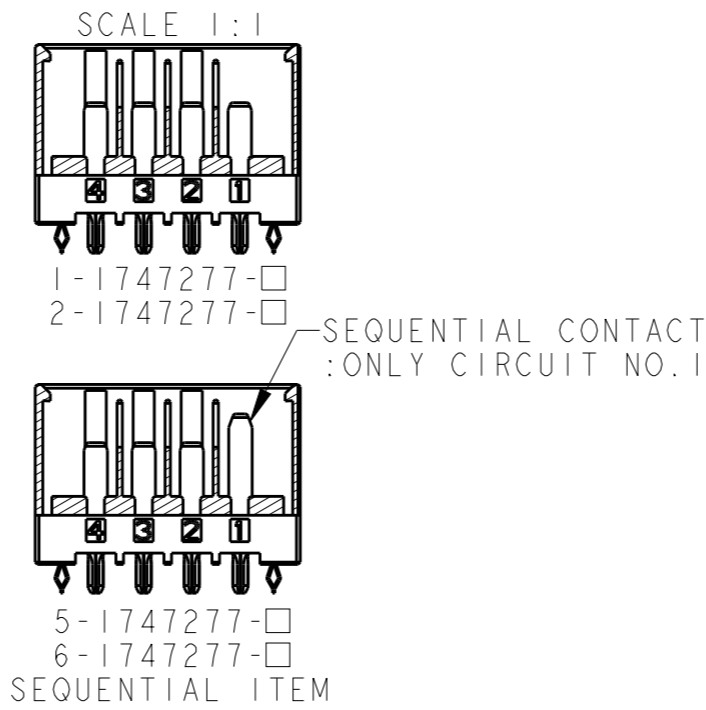


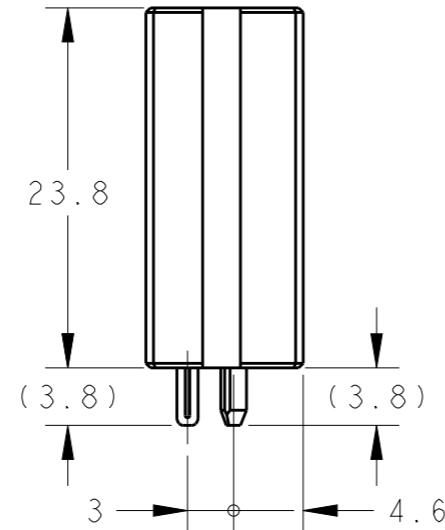
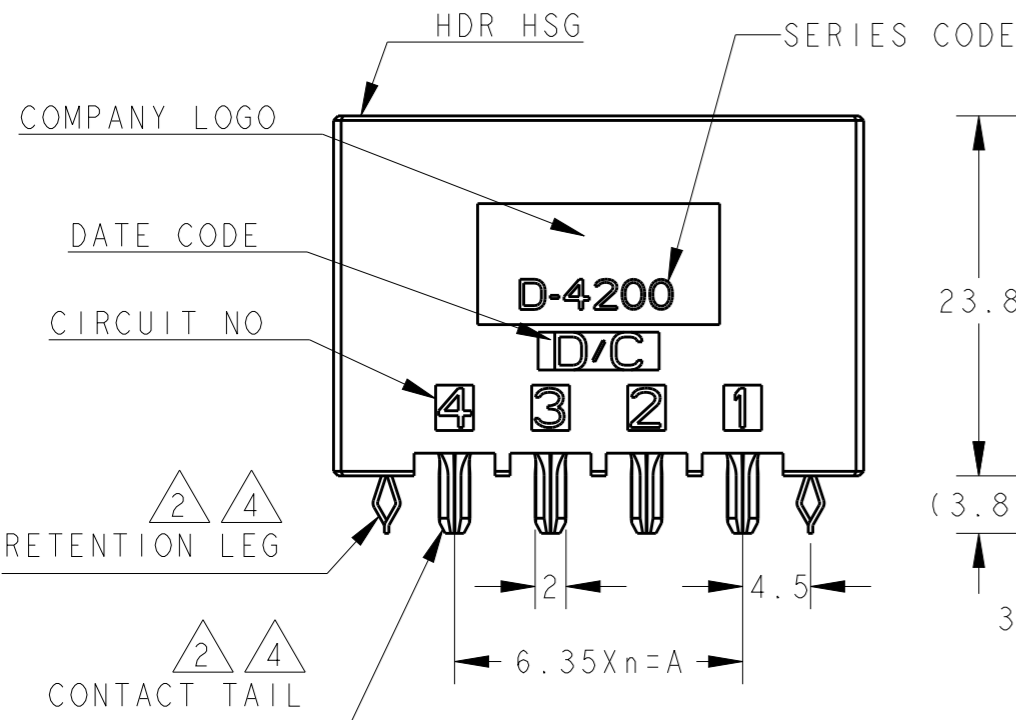
P	LTR	DESCRIPTION	DATE	DWN	APVD
	B	REVISED PER ECR-19-011328	18JUL2019	K.T	E.1



KEY LOCATION VIEW



推奨基板取付穴寸法: コネクタ搭載面 (非累積公差)
 PC基板厚: 1.6~2.4±0.1
 RECOMMEND PC BOARD HOLE PATTERN : CONNECTOR MOUNT SIDE (NOT ACCUMULATE TOLERANCE)
 PC BOARD THICKNESS : 1.6~2.4±0.1



AS SHOWN: 1-1747277-4 (4POS: X-KEY)

POS	n	KEY LOCATION	C	B	A	KEY	PART NUMBER
4	3		35.05	31.05	19.05	Y	2-1747277-4 6-1747277-4
4	3		35.05	31.05	19.05	X	1-1747277-4 5-1747277-4
3	2		28.70	24.70	12.70	Y	2-1747277-3 6-1747277-3
3	2		28.70	24.70	12.70	X	1-1747277-3 5-1747277-3
2	1		22.35	18.35	6.35	Y	2-1747277-2
2	1		22.35	18.35	6.35	X	1-1747277-2

1. MATERIAL: HOUSING: GLASS FILLED THERMO PLASTIC
 POLYESTER (94V-0), COLOR: BLACK
 CONTACT: COPPER ALLOY
 RETENTION LEG: COPPER ALLOY

- ②. FINISH (ALL OVER): NICKEL PL. 1.3μm MIN
- ③. FINISH (CONTACT AREA): GOLD PL. 0.38μm MIN AFTER ②
- ④. FINISH (CONTACT TAIL & RETENTION LEG): TIN PL. 2μm MIN AFTER ②

THIS DRAWING IS A CONTROLLED DOCUMENT.		DWN T. KUDO 02JUL2004	TE Connectivity	
DIMENSIONS: 単位: 概 mm		CHK D. MITSUGI 02JUL2004		
TOLERANCES UNLESS OTHERWISE SPECIFIED: 一般公差 ±0.3, ±3°		APVD D. MITSUGI 02JUL2004	NAME 名称 DYNAMIC D4200S 6.35mm PITCH	
0 PLC ±		PRODUCT SPEC 108-78182	HDR ASSY (V-TYPE)	
1 PLC ±0.5		APPLICATION SPEC 114-5369	2-4POS	
2 PLC ±0.13		WEIGHT -	SIZE A3	CAGE CODE 00779
3 PLC ±0.013		CUSTOMER DRAWING	DRAWING NO. C-1747277	RESTRICTED TO
4 PLC ±0.0001		SCALE 尺度 2:1	SHEET 1 OF 1	REV B
ANGLES ±				
FINISH 仕上 material_2 finish_spec_2				

Mouser Electronics

Authorized Distributor

Click to View Pricing, Inventory, Delivery & Lifecycle Information:

[TE Connectivity:](#)

[1-1747277-2](#)