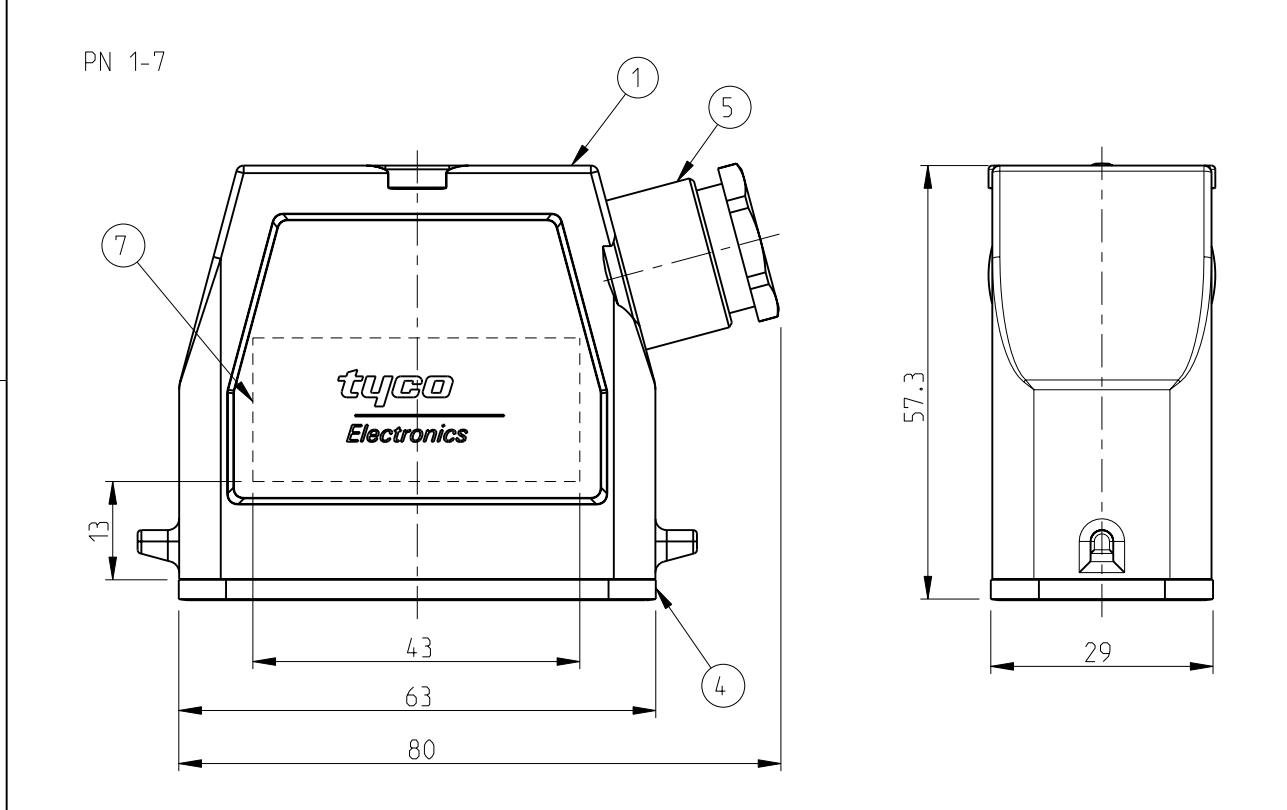
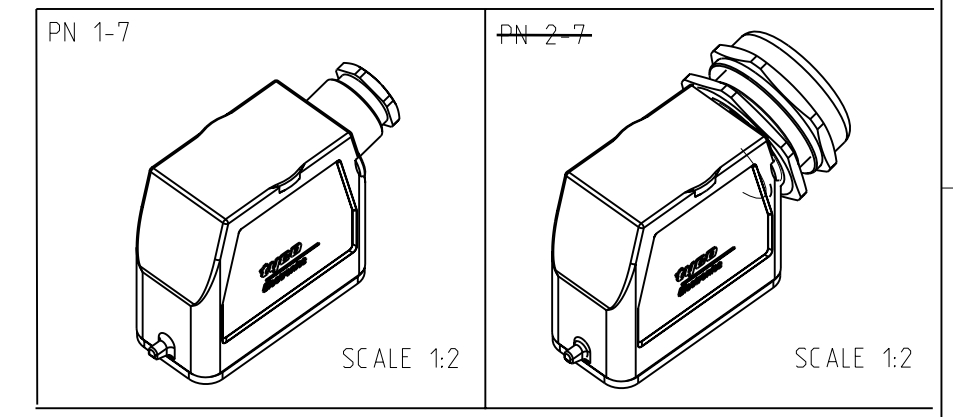
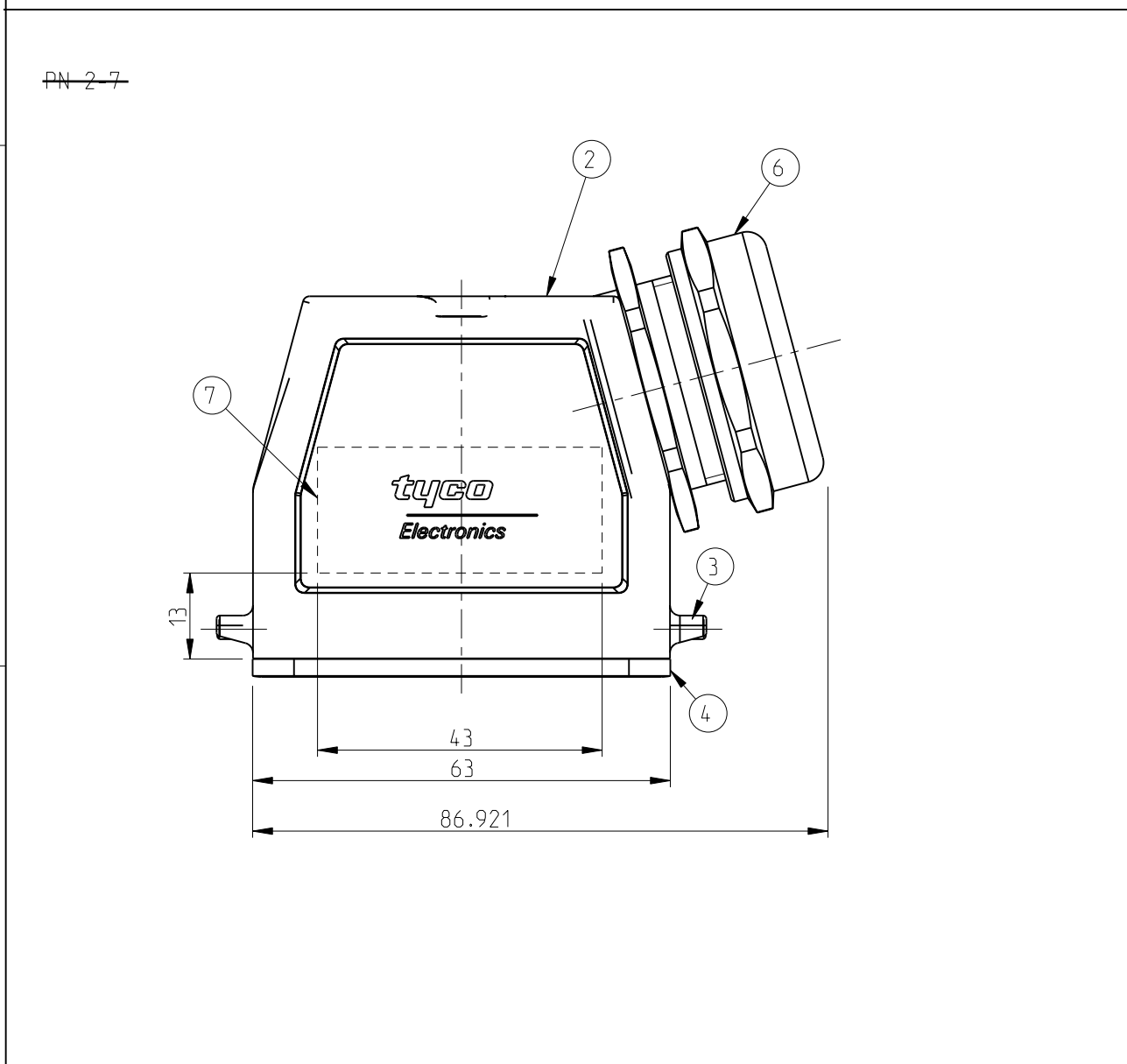


THIS DRAWING IS UNPUBLISHED. RELEASED FOR PUBLICATION .2000  
 © COPYRIGHT 2000 BY TYCO ELECTRONICS CORPORATION. ALL RIGHTS RESERVED.

LOC	DIST	REVISIONS					
		P	LTR	DESCRIPTION	DATE	DWN	APVD
A1	-		B2	RELEASED AS PER ECR-09-005170	05.MAR.2009	GG	TS
			B3	ECR-17-013084	29MAR18	SG	MKO



- NOTES
- 1 PACKAGING  
PACKAGING QUANTITY:5 PIECES PER BOX
  - 2 MATERIAL:HOUSING ALUMINIUM DIECASTING ALLOY
  - 3 SURFACE:VARNISH-GREY
  - 4 VARNISH ON THE INSIDE NOT NECESSARY



OBSOLETE

QTY	DESCRIPTION	MATERIAL	SURFACE	COLOR	ITEM NO	REMARKS
2	INSULATING TAPE	PVC	-	GREY	7	
1	CABLE FITTING	BRASS	NICKEL PLATED	BLUE	6	PG16
1	CABLE FITTING ROUND	BRASS	NICKEL PLATED	BLUE	5	PG16
1	PROFILE SEAL	NEOPRENE	-	BLACK	4	
2	CLIP BOLT	STAINLES STEEL	BLANK	-	3	
1	HOOD	ALUMINIUM	ALUMINIUM OXIDE	BLACK	2	
1	HOOD	ALUMINIUM	-	GREY	1	
2-7	1-7 DESCRIPTION	MATERIAL	SURFACE	COLOR	ITEM NO	REMARKS
	HA.10.STS.1.16					
	HA.K.10.STS.1.16					

THIS DRAWING IS A CONTROLLED DOCUMENT FOR TYCO ELECTRONICS CORPORATION IT IS SUBJECT TO CHANGE AND THE CONTROLLING ENGINEERING ORGANIZATION SHOULD BE CONTACTED FOR THE LATEST REVISION.

DIMENSIONS:	TOLERANCES UNLESS OTHERWISE SPECIFIED:
mm	0 PLC ±
	1 PLC ±
	2 PLC ±
	3 PLC ±
	4 PLC ±
	ANGLES ±
MATERIAL	FINISH

DWN	2/23/2006
S.KUMAR	
CHK	2/23/2006
R.SRINIVAS	
APVD	2/23/2006
T.SCHNURPF II	
PRODUCT SPEC	108-74009
APPLICATION SPEC	114-74001
WEIGHT	-

**TE** TE Connectivity

NAME: HOOD HA.10.STS.1.16

SIZE	CAGE CODE	DRAWING NO	RESTRICTED TO
A3	00779	© 1102115	

CUSTOMER DRAWING SCALE 1:1 SHEET 1 OF 1 REV B3

# Mouser Electronics

Authorized Distributor

Click to View Pricing, Inventory, Delivery & Lifecycle Information:

[TE Connectivity:](#)

[1-1102115-7](#)