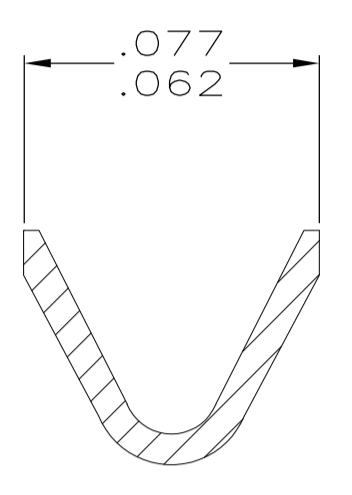
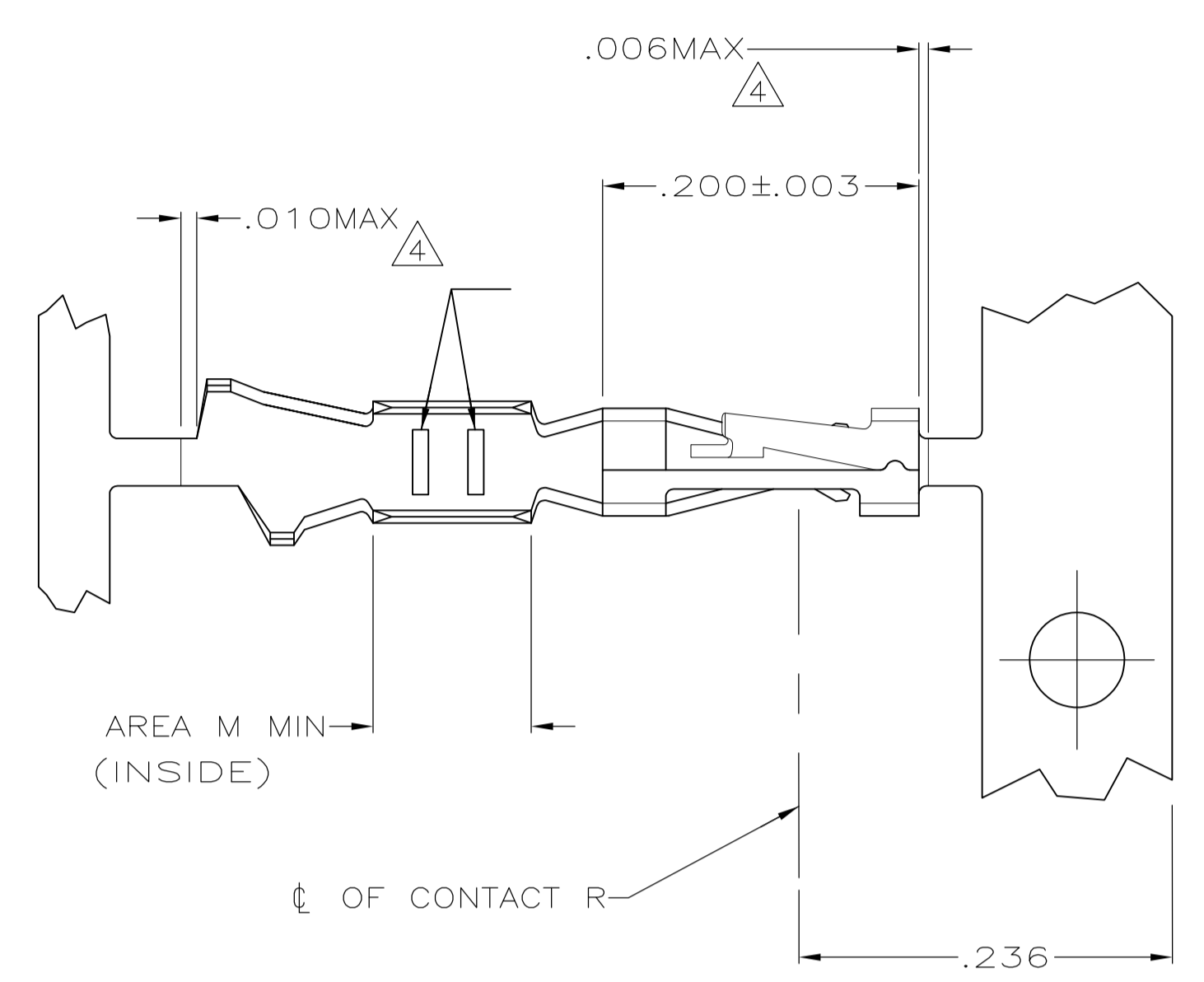
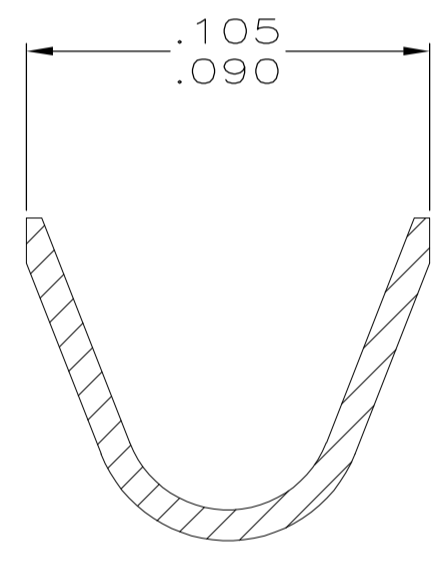
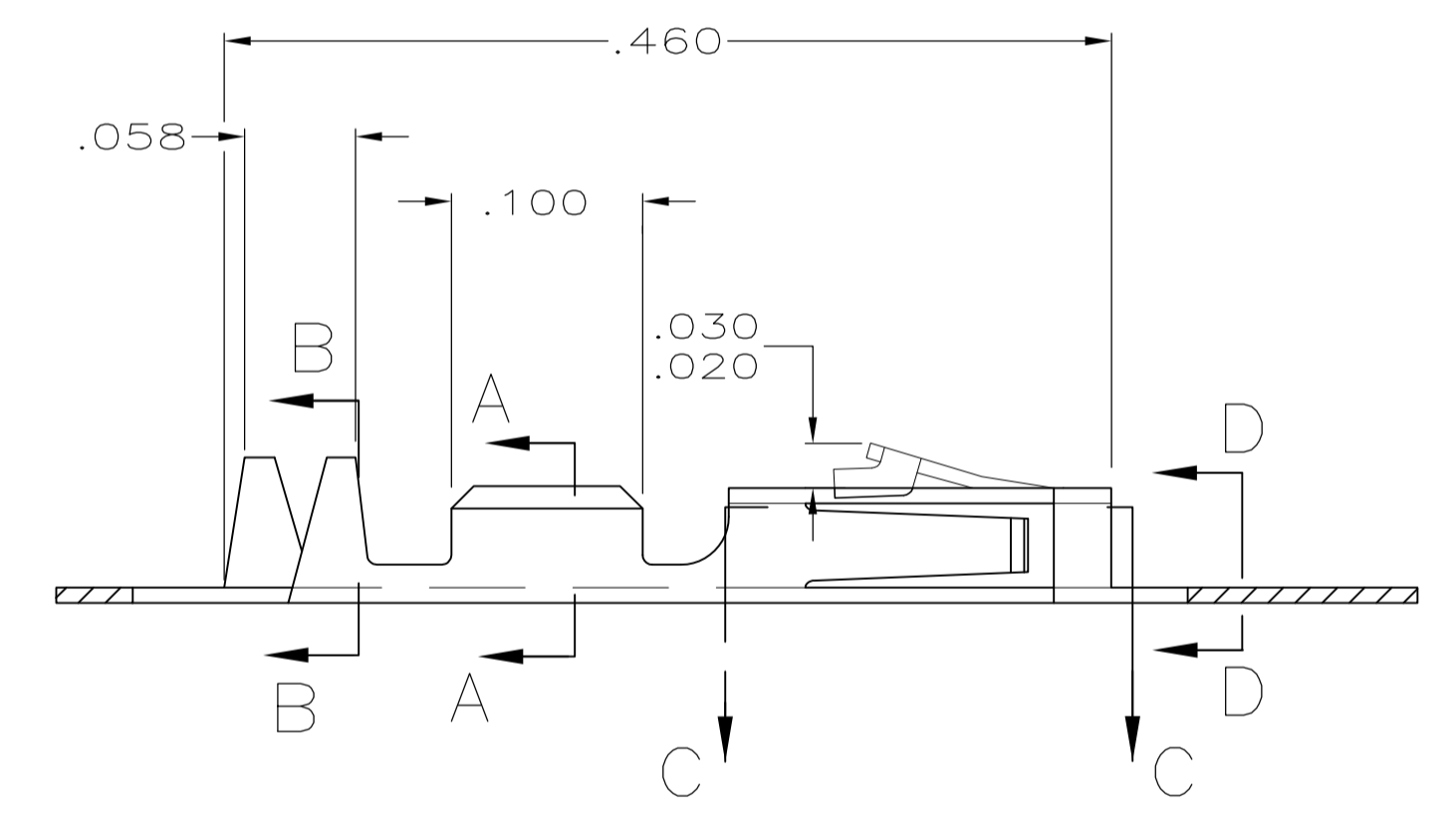


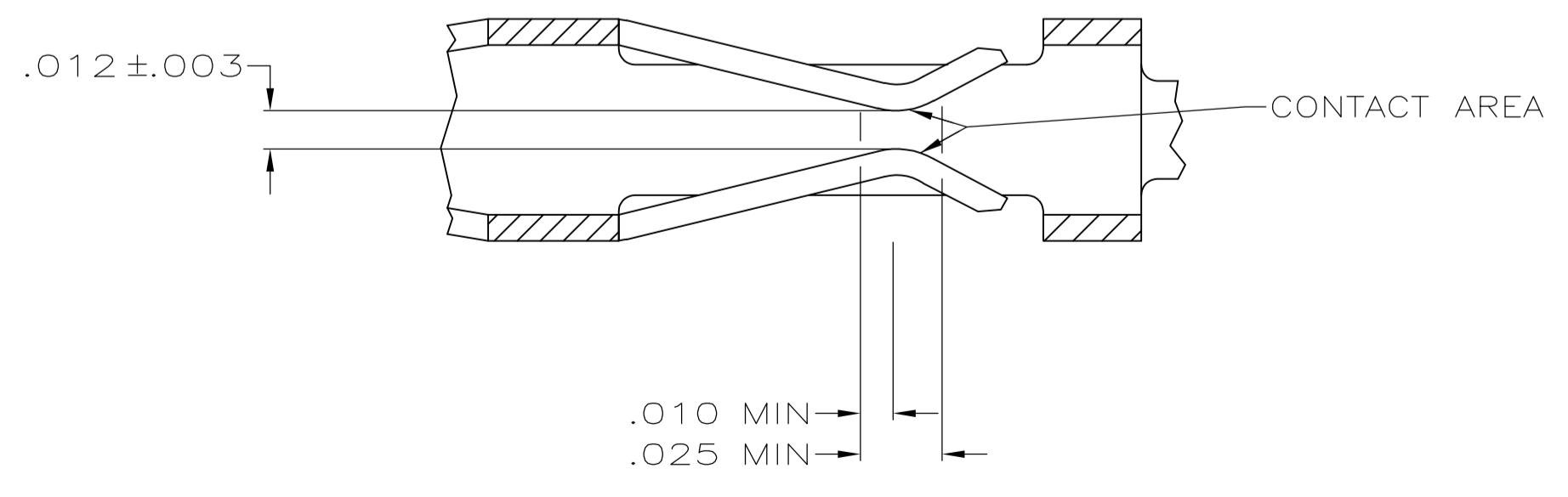
- ① .000100 MIN BRIGHT TIN-LEAD OVER .000050 MIN NICKEL ON ENTIRE CONTACT
- ② .000050 MIN NICKEL ON ENTIRE CONTACT; .000015 MIN GOLD ON CONTACT AREA; .000050 MIN BRIGHT TIN-LEAD ON AREA M.
- ③ .000050 MIN NICKEL ON ENTIRE CONTACT; .000030 MIN GOLD ON CONTACT AREA; .000050 MIN BRIGHT TIN-LEAD ON AREA M.
- ④ LOOSE PIECE CUT-OFF DIMENSION.
- ⑤ OBSOLETE PART NUMBER.
- ⑥ .000015 MIN GOLD ON CONTACT AREA, .000050 MIN TIN ON AREA M, ALL OVER .000050-.000100 NICKEL ON ENTIRE CONTACT.
- ⑦ .000030 MIN GOLD ON CONTACT AREA, .000050 MIN TIN ON AREA M, ALL OVER .000050-.000100 NICKEL ON ENTIRE CONTACT.
- ⑧ .000100-.000200 TIN OVER .000050 MIN NICKEL ON ENTIRE CONTACT.



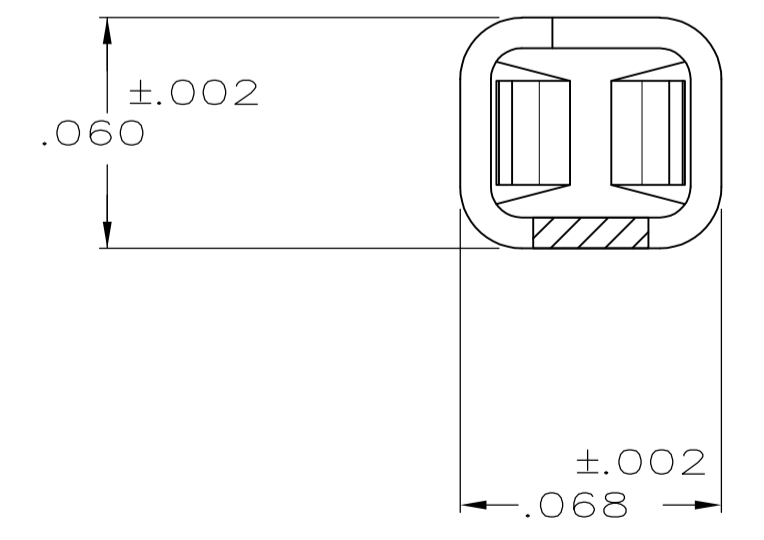
SECTION A-A  
SCALE 20:1



SECTION B-B  
INSULATION RANGE .025-.060  
SCALE 20:1



SECTION C-C  
SCALE 20:1



SECTION D-D  
SCALE 20:1

REMARKS	FINISH	PART NO
STRIP	⑧	1-104480-7
LOOSE PIECE	⑦ REF	1-104480-6
LOOSE PIECE	⑥ REF	1-104480-5
LOOSE PIECE	⑥ REF	1-104480-4
STRIP	⑦	1-104480-3
STRIP	⑥	1-104480-2
LOOSE PIECE		1-104480-1
LOOSE PIECE		1-104480-0
LOOSE PIECE	③ REF	104480-9
LOOSE PIECE	② REF	104480-8
LOOSE PIECE	① REF	104480-7
STRIP		104480-6
STRIP		104480-5
STRIP	③	104480-4
STRIP	②	104480-3
STRIP	①	104480-2

THIS DRAWING IS A CONTROLLED DOCUMENT.

DIMENSIONS: INCHES	TOLERANCES UNLESS OTHERWISE SPECIFIED:	DIN C. OBERMAN 5-10-89	TE Connectivity
0 PLC ± -	1 PLC ± -	CIK K. HELM 5-12-89	NAME CONTACT, CRIMP SNAP-IN AMPMODU SHORT POINT, 22-26 AWG
2 PLC ± -	3 PLC ± .005	APVD R. ELICKER 5-12-89	PRODUCT SPEC 108-1472
4 PLC ± -	ANGLES ± -	APPLICATION SPEC 114-25038	SIZE 108-1472
MATERIAL PHOSPHOR BRONZE	FINISH SEE TABLE	WEIGHT -	RESTRICTED TO -
		SIZE A1	SCALE 10:1
		DRAWING NO. 00779	SHEET 1 OF 1
		REV S1	REV S1

# Mouser Electronics

Authorized Distributor

Click to View Pricing, Inventory, Delivery & Lifecycle Information:

[TE Connectivity:](#)

[1-104480-4](#)