

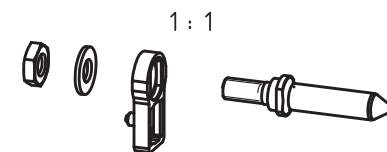
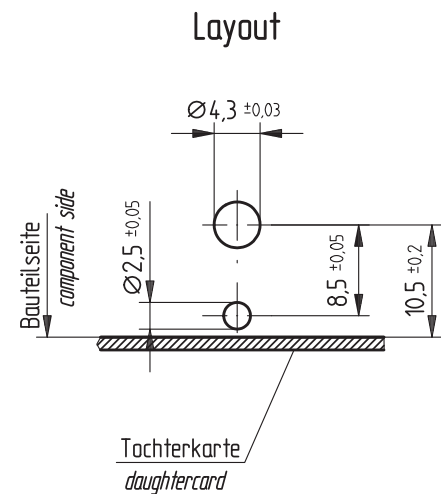
134734  
Grundkörper  
housing

833986  
Schnarrscheibe S 4 rostfrei  
"schnarr" washer

823976  
Sechskantmutter rostfrei ISO 4035 - M4 <sup>1)</sup>  
nut

1) maximales Anzugsmoment: 200 Ncm  
dargestellt: 144131

Bausatz in Polybeutel verpackt



214364	13,8	144742
214363	11,5	144741
Ident.-Nr.	A	Stift-Ident.-Nr.

Information:	Tolerances	 All Dimensions in mm	Scale	2:1
	All rights reserved. Only for information. To insure that this is the latest version of this drawing, please contact one of the ERNI companies before using.		Designation <b>Führungsbolz., vergold. Bausatz</b> <i>ERmet Guiding System, Kit</i>	
Subject to modification without prior notice. Drawing will not be updated.		 www.ERNI.com	<b>214380</b>	
Index	Date	V:00045912.SZA	ERMBGR	

Consider protection memo from DIN 34.

# Mouser Electronics

Authorized Distributor

Click to View Pricing, Inventory, Delivery & Lifecycle Information:

[TE Connectivity:](#)

[214363](#) [214363-E](#)