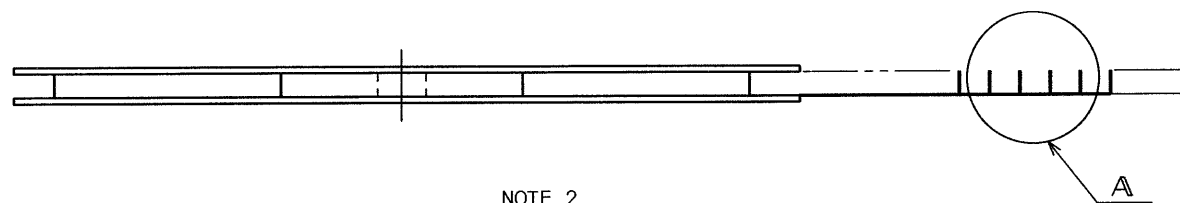


SJ025427-E

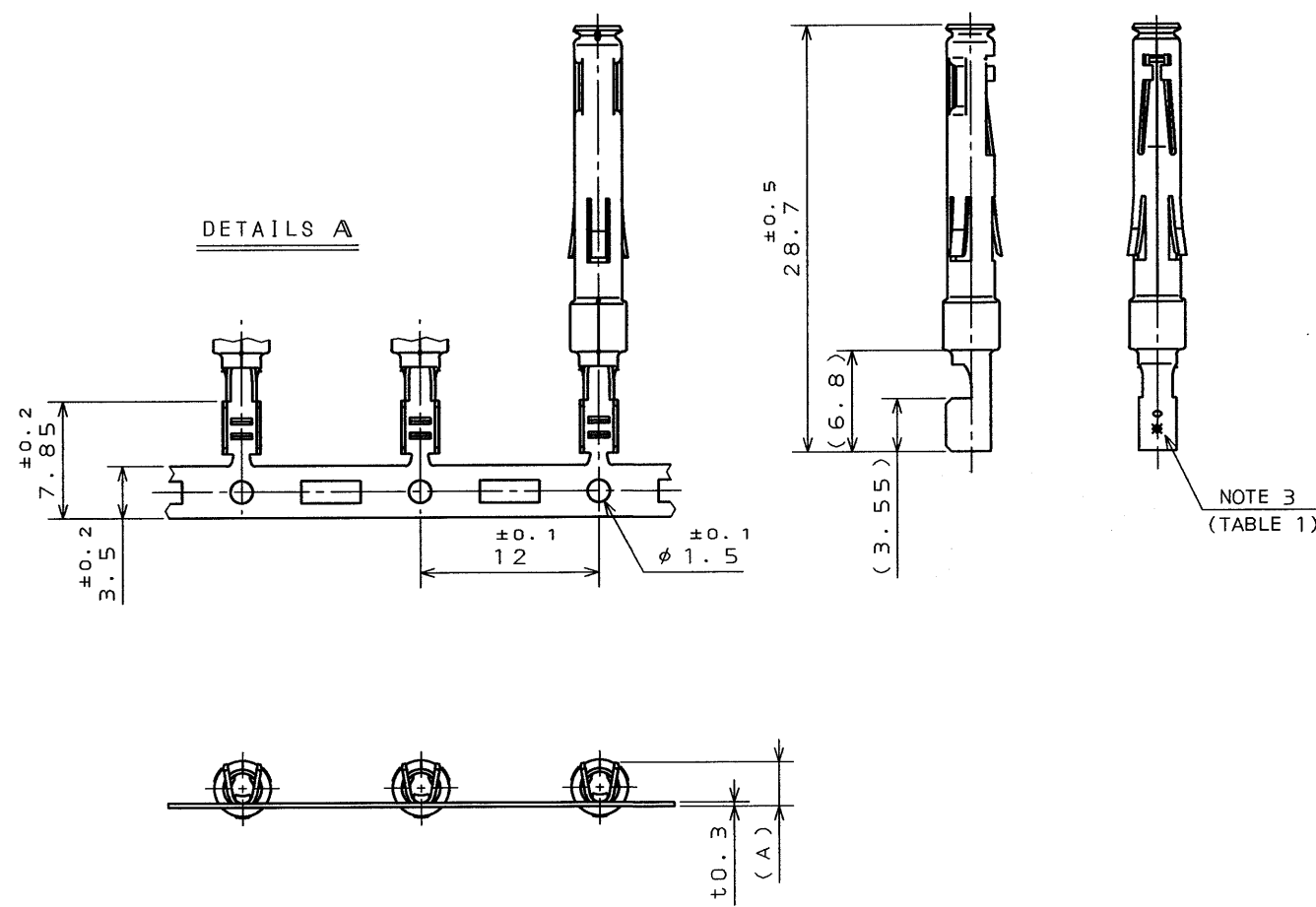
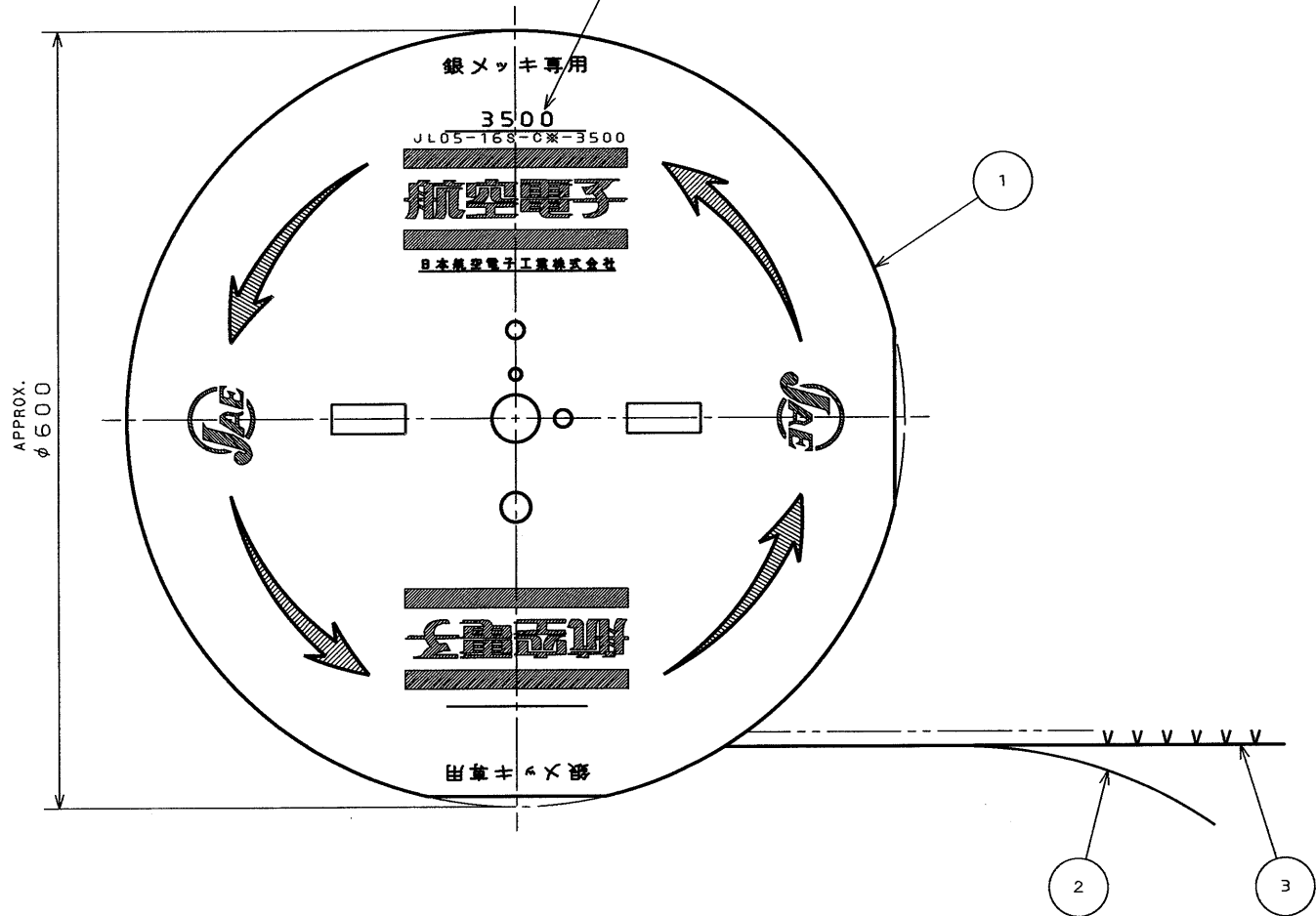
DWG. NO.

SYM.	DCN NO.	DESCRIPTION	DATE	DRAWN	CHECKED	APP 'D	APP 'D



NOTE 2

A



NOTE 3 (TABLE 1)

- NOTE 1. CONTACTS ARE SUPPLIED IN REELED FORM WITH 3500 CONTACTS PER REEL.
- NOTE 2. PART DESCRIPTION AND NUMBER OF CONTACTS OF A REEL ARE MARKED ON THE MAGAZINE AS SHOWN.
- NOTE 3. A CRIMP TYPE IS MARKED AS INDICATED.

TABLE 1

CRIMP TYPE	APPLICABLE WIRE		DIMENSIONS
	WIRE SIZE	INSULATION OUTER DIA.	
C 1	AWG #14~16 (1.25mm~2mm)	φ 3.8MAX.	3.7
C 2	AWG #16~20 (1.25mm~0.5mm)	φ 3.8MAX.	3
C 3	AWG #20~24 (0.5mm~0.2mm)	φ 3.8MAX.	2.2

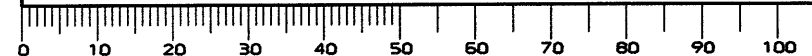
NOTE 4. FOR AN INDIVIDUAL CONTACT, SEE DWG. NO. SJ025425.

DIMENSIONS ARE IN MILLIMETERS
TOLERANCES ON: (INCHES)

DIMENSION	ANGLES
. ±	X° ±
.X ±	X°X ±
.XX ±	CONCENTRICITY
.XXX ±	WITHIN T.I.R.

3	#16 SOCKET CONTACT	3500	COPPER ALLOY	SILVER PLATING	
2	TAPE	1	PAPER		
1	MAGAZINE	1	PAPER		
ITEM	DESCRIPTION	Q'TY	MATERIAL	FINISH	REMARKS
REFERENCE DOCUMENT		DATE	SCALE	WT.	Q'TY
		21. Apr. '95	2/1	2.0g	1000
MATERIAL		DRAWN	TITLE		
		H. SAKURADA	ST-JL05-16S		
TREATMENT		CHECKED	Reference		
		S. NANA O	-C*-3500		
FINISH		APP'D	SERIES		
		T. MORITA	JL05		
		APP'D	MUSASHINO, AKISHIMA-SHI		
		M. Takagi	TOKYO, JAPAN		
			DWG. NO.		
			SJ025427-E		

DCF-C-143



CDS-90-12057
A3
SIZE

Mouser Electronics

Authorized Distributor

Click to View Pricing, Inventory, Delivery & Lifecycle Information:

[JAE Electronics:](#)

[ST-JL05-16S-C1-3500](#) [ST-JL05-16S-C2-3500](#) [ST-JL05-16S-C3-3500](#)