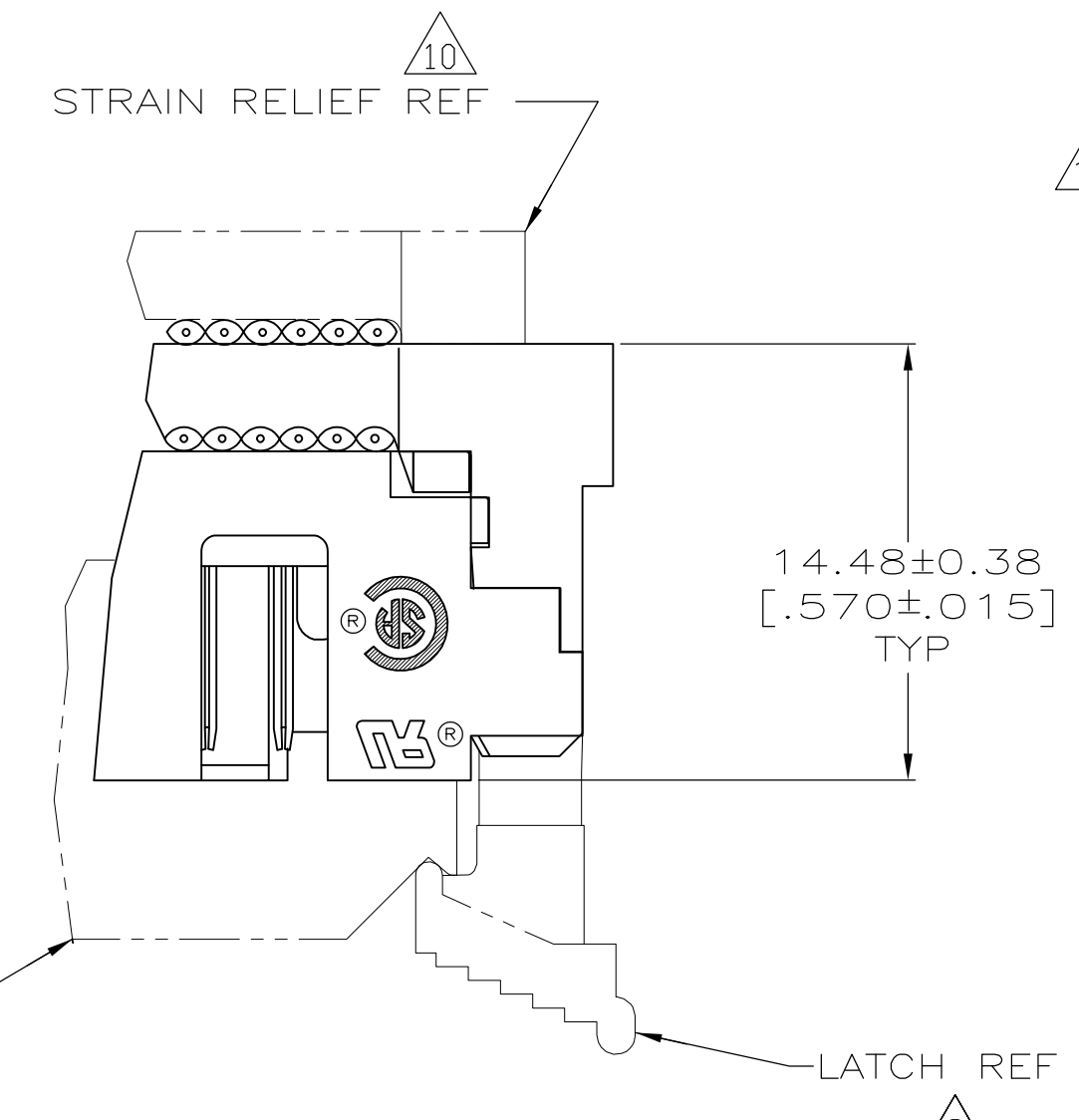
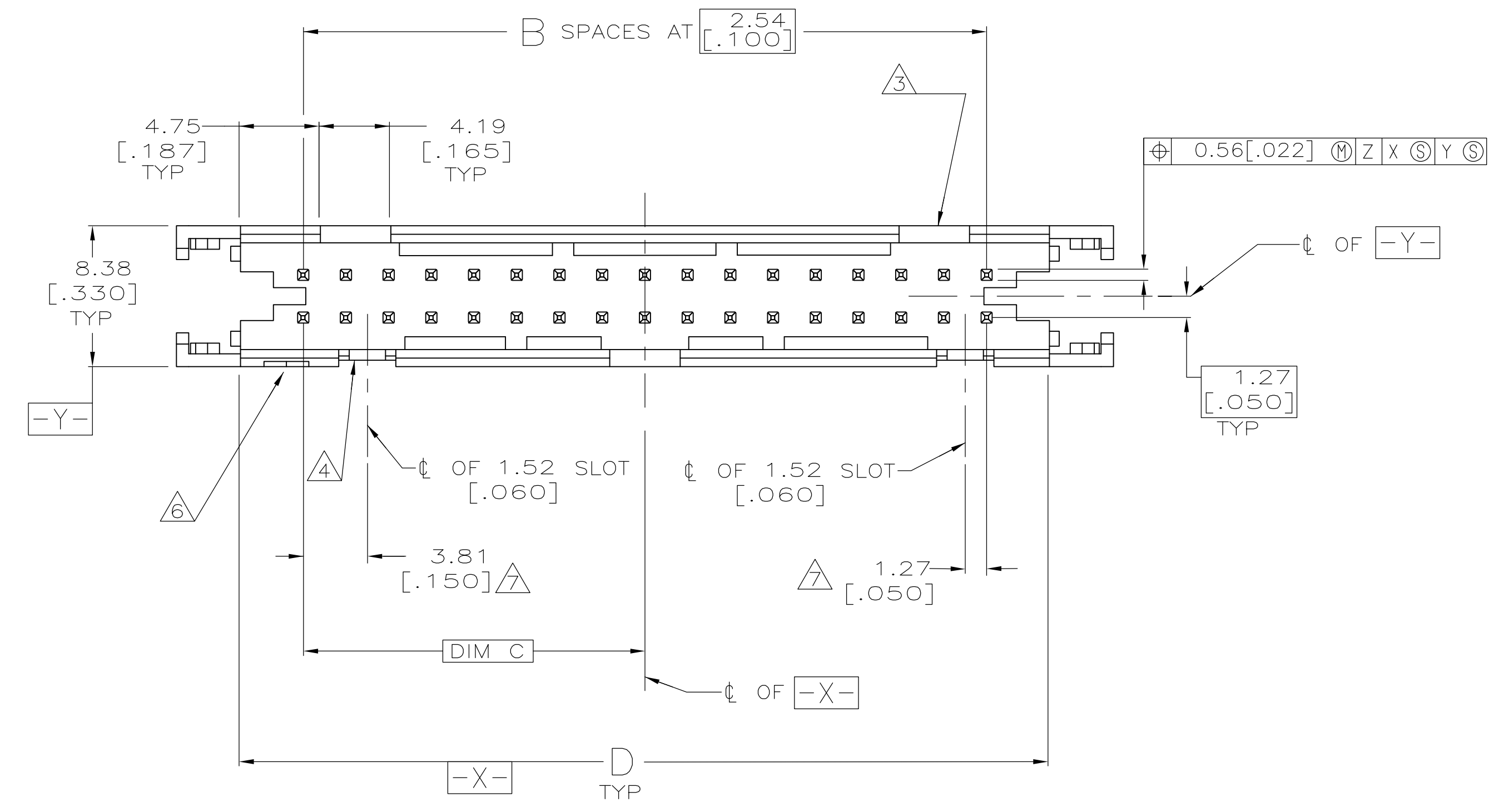
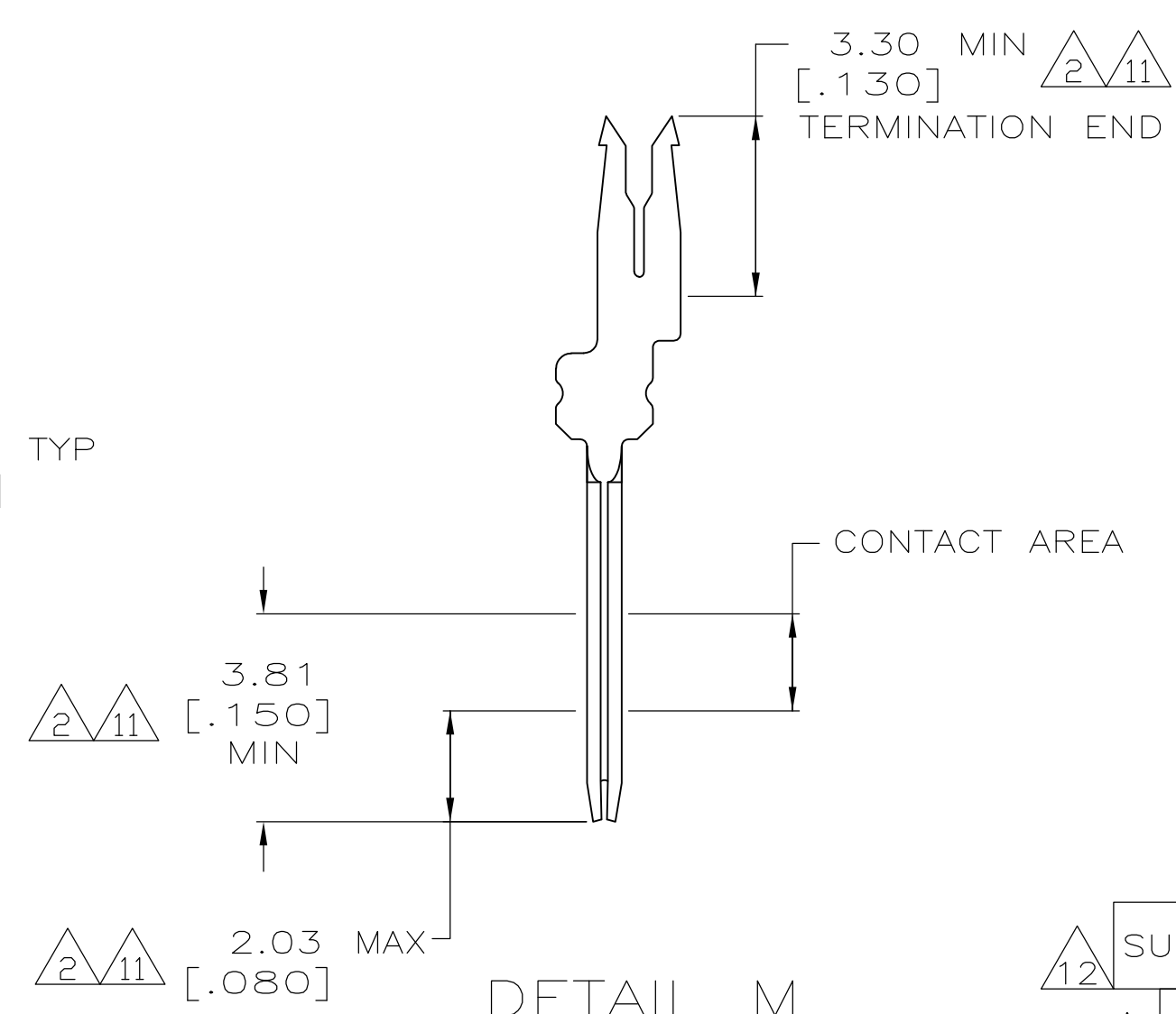
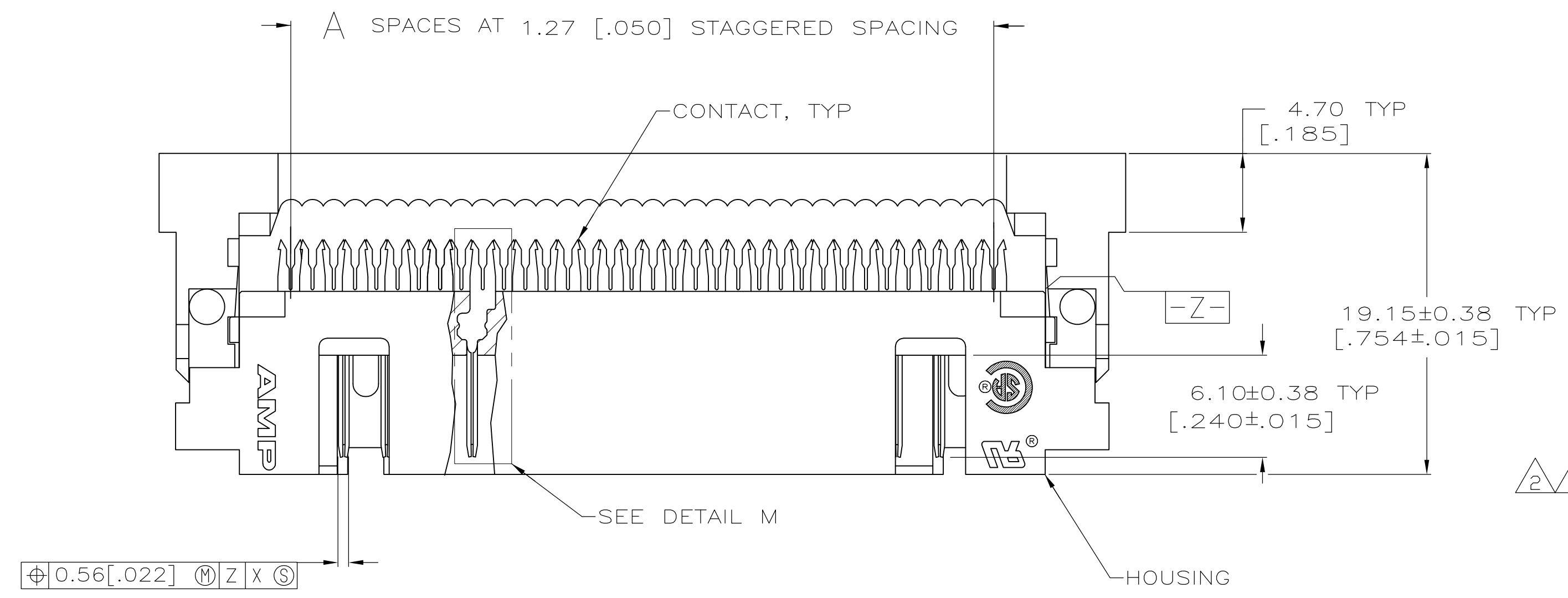
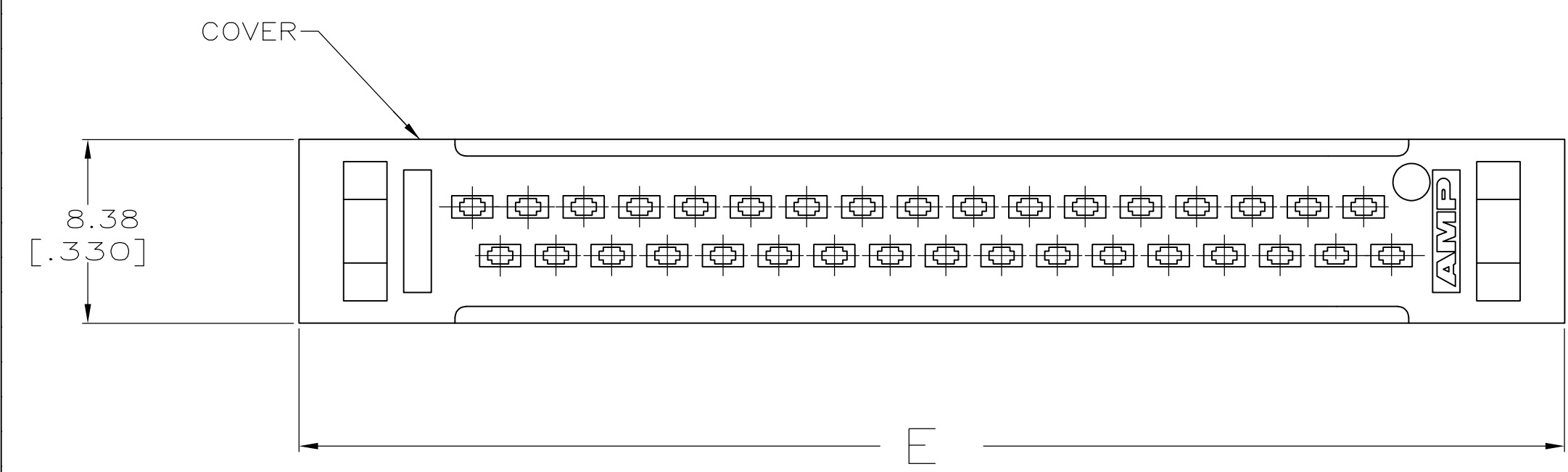


- 1 FLAME RETARDANT 94V-0 RATED THERMOPLASTIC; BLACK.
- 2 2.54µm [.000100] MIN MATTE TIN-LEAD ON TERMINATION END, 0.76µm [.000030] MIN GOLD ON CONTACT AREA, ALL OVER 1.27µm [.000050] MIN NICKEL.  
-OR-  
GOLD FLASH OVER PALLADIUM-NICKEL 0.76µm [.000030] TOTAL ON CONTACT AREA, 2.54µm [.000100] MIN BRIGHT TIN-LEAD ON TERMINATION END, ALL OVER 1.27µm [.000050] MIN NICKEL.
- 3 NO SLOT ON THIS END FOR TEN POSITION HOUSINGS.
- 4 NO SLOT FOR SNAP-IN POLARIZER ON THIS END FOR 10 AND 14 POSITION HOUSINGS.
- 5 FOR MILITARY POLARIZATION, ORDER SNAP-IN POLARIZER 499991-2 (BULK PACK OF 50).
- 6 POSITION NO 1 INDICATOR.
- 7 COORDINATE DIMENSION APPLIES FROM CENTER OF ACTUAL FEATURE.
- 8 FOR LATCHES ORDER 111451, 2 PER ASSEMBLY.
- 9 PHOSPHOR BRONZE PER QQ-B-750.

- 10 STRAIN RELIEF 111547 MUST BE ORDERED SEPARATELY.
- 11 2.54µm [.000100] MIN MATTE TIN ON TERMINATION END, 0.76µm [.000030] MIN GOLD ON CONTACT AREA, ALL OVER 1.27µm [.000050] MIN NICKEL.  
-OR-  
GOLD FLASH OVER PALLADIUM-NICKEL 0.76µm [.000030] TOTAL ON CONTACT AREA, 2.54µm [.000100] MIN MATTE TIN ON TERMINATION END, ALL OVER 1.27µm [.000050] MIN NICKEL.
- 12 OBSOLETE PARTS: OBSOLETE CIS STREAMLINING PER D. RENAUD/D. SINISI.



11	95.81 [3.772]	86.21 [3.394]	39.37 [1.550]	31	63	64	2-111446-6
11	89.59 [3.527]	81.13 [3.194]	36.83 [1.450]	29	59	60	2-111446-5
11	70.41 [2.772]	60.81 [2.394]	26.67 [1.050]	21	43	44	2-111446-4
11	65.33 [2.572]	55.73 [2.194]	24.13 [.950]	19	39	40	2-111446-3
11	57.71 [2.272]	48.11 [1.894]	20.32 [.800]	16	33	34	2-111446-2
11	52.63 [2.072]	43.03 [1.694]	17.78 [.700]	14	29	30	2-111446-1
11	47.55 [1.872]	37.95 [1.494]	15.24 [.600]	12	25	26	2-111446-0
11	45.01 [1.772]	35.41 [1.394]	13.97 [.550]	11	23	24	1-111446-9
11	39.93 [1.572]	30.33 [1.194]	11.43 [.450]	9	19	20	1-111446-8
11	78.03 [3.072]	68.43 [2.694]	30.48 [1.200]	24	49	50	1-111446-7
11	34.85 [1.372]	25.25 [.994]	8.89 [.350]	7	15	16	1-111446-6
11	32.31 [1.272]	22.71 [.894]	7.62 [.300]	6	13	14	1-111446-5
11	27.230 [1.072]	17.63 [.694]	5.08 [.200]	4	9	10	1-111446-4
12 SUPERCEDED	95.81 [3.772]	86.21 [3.394]	39.37 [1.550]	31	63	64	<del>1-111446-3</del>
12 OBSOLETE	89.59 [3.527]	81.13 [3.194]	36.83 [1.450]	29	59	60	1-111446-2
12 OBSOLETE	78.03 [3.072]	68.43 [2.694]	30.48 [1.200]	24	49	50	1-111446-1
12 OBSOLETE	70.41 [2.772]	60.81 [2.394]	26.67 [1.050]	21	43	44	1-111446-0
12 OBSOLETE	65.33 [2.572]	55.73 [2.194]	24.13 [.950]	19	39	40	111446-9
12 OBSOLETE	57.71 [2.272]	48.11 [1.894]	20.32 [.800]	16	33	34	111446-8
12 SUPERCEDED	52.63 [2.072]	43.03 [1.694]	17.78 [.700]	14	29	30	<del>111446-7</del>
12 OBSOLETE	47.55 [1.872]	37.95 [1.494]	15.24 [.600]	12	25	26	111446-6
12 OBSOLETE	45.01 [1.772]	35.41 [1.394]	13.97 [.550]	11	23	24	111446-5
12 OBSOLETE	39.93 [1.572]	30.33 [1.194]	11.43 [.450]	9	19	20	111446-4
12 OBSOLETE	34.85 [1.372]	25.25 [.994]	8.89 [.350]	7	15	16	111446-3
12 OBSOLETE	32.31 [1.272]	22.71 [.894]	7.62 [.300]	6	13	14	111446-2
12 OBSOLETE	27.230 [1.072]	17.63 [.694]	5.08 [.200]	4	9	10	111446-1

CONTACT FINISH	E	D	C	B	A	NO OF POSN	PART NUMBER
THIS DRAWING IS A CONTROLLED DOCUMENT. <span style="float: right;">DIN H MOLL 7-11-90</span> DIMENSIONS: mm [INCHES] <span style="float: right;">CHK F.M. HEINIFY 8-1-90</span> TOLERANCES UNLESS OTHERWISE SPECIFIED: <span style="float: right;">APVD D. HOFFMAN 8-3-90</span> 0 PLC ± - <span style="float: right;">NAME UNIV I/O PIN CONN, WITHOUT MOUNTING EARS, AMP-LATCH™</span> 1 PLC ± ± <span style="float: right;">PRODUCT SPEC 108-1336</span> 2 PLC ± ± 0.13[.005] <span style="float: right;">APPLICATION SPEC 114-7011</span> 3 PLC ± ± - <span style="float: right;">SIZE CASE CODE DRAWING NO</span> 4 PLC ± ± - <span style="float: right;">WEIGHT</span> MATERIAL 1 9 <span style="float: right;">FINISH CONTACTS: SEE TABLE</span> <span style="float: right;">A1 00779 111446</span>							
CUSTOMER DRAWING <span style="float: right;">SCALE 4:1 SHEET 1 OF 1 REV R</span>							

# Mouser Electronics

Authorized Distributor

Click to View Pricing, Inventory, Delivery & Lifecycle Information:

[TE Connectivity:](#)

[1-111446-6](#)