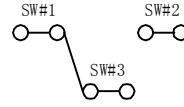
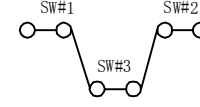


WITHOUT CARD



CARD INSERTED
WRITE PROJECT:LOCK



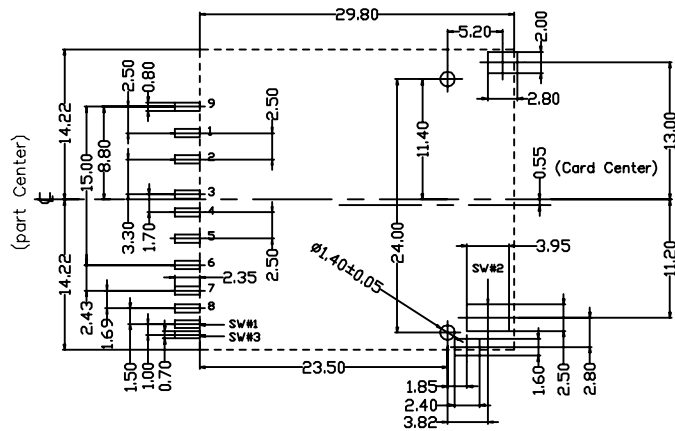
CARD INSERTED
WRITE PROJECT:UNLOCK

Electrical

Voltage:100V AC(RMS)/DC
Current:0.5 A AC(RMS)/DC
Contact Resistance:100m max
Insulation Resistance:1000M min
Dielectric Withstanding Voltage:1000VAC/RMS
Operating Temp:-25. / +90.

Materials

Housing:LCP With 30% G/F, UL 94V-0,Black.
Terminal:Copper Alloy,Gold plated on contact area.
Shield: Copper Alloy,Gold plated on solder area.



PC BOARD LAYOUT COMPONENT SIDE

SD CARD PIN DESIGN			
Pin#	Name	Type	Description
1	CD/DAT3	I/O/PP	Card Detect/ Data Line[Bit3]
2	CMD	PP	Command/Response
3	V _{SS1}	S	Supply voltage ground
4	V _{DD}	S	Supply voltage
5	CLK	I	Clock
6	V _{SS2}	S	Supply voltage ground
7	DAT0	I/O/PP	Data Line [Bit 0]
8	DAT1	I/O/PP	Data Line [Bit 1]
9	DAT2	I/O/PP	Data Line [Bit 2]

UNLESS OTHERWISE SPECIFIED TOLERANCE			
UNIT:	DECIMAL	LINEAR	ANGLES
mm	X.	±0.50	±5°
	X.X	±0.25	±3°
	X.XX	±0.12	±1°

东莞市讯普电子科技有限公司
www.xunpudianzi.com

DRAWN	Fros	2014/12/12	DRAWN NAME:	
CHECKED	Ron	2014/12/12	SD CONNECTOR	
APPROVED	Albert	2014/12/12	PRODUCT NO.	SD-107
SCALE 3.2		SHEET 1/1	SIZE A4	