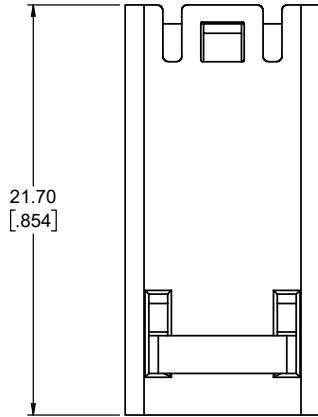




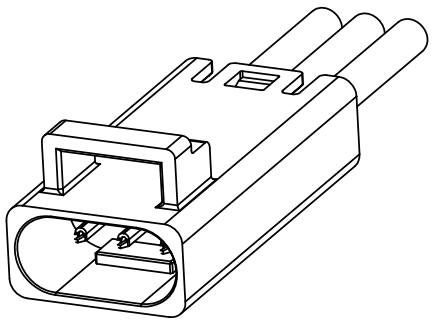
REVISIONS			
REV	DESCRIPTION, ECN, EAR NO.	DATE	APPD
D	CONTACT RENAMED	NOV30/18	S.M.
E	CURRENT RATING CHANGE	JAN22/19	S.M.



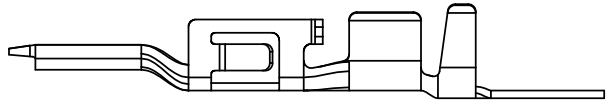
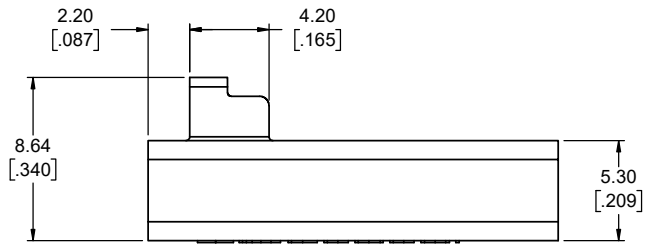
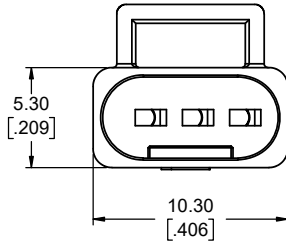
PART NUMBER: FLH - PX 1 - 00

SERIES _____
FLH

HOUSING TYPE _____
P2 = 2 PIN HOUSING
P3 = 3 PIN HOUSING



**APPLICATION VIEW
WITH 3 CONTACTS
AND WIRES INSTALLED**

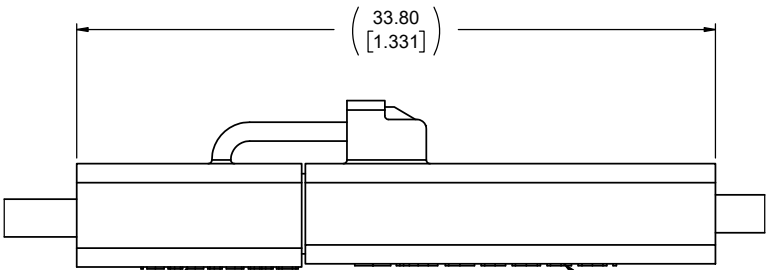


**FLH-PC136-XXX - PIN CONTACT
SEE NOTES 3 & 4
SCALE 10:1**

NOTES:

- MATERIALS:** ALL MATERIALS ARE RoHS COMPLIANT PER EU DIRECTIVE 2011/65/EU & AMENDMENTS
 - HOUSING: ENGINEERING THERMOPLASTIC, UL FLAMMABILITY RATING 94V-0, COLOUR BLACK
 - SEALS: SILICONE RUBBER
- ELECTRICAL CHARACTERISTICS**
 - CURRENT RATING: 8A (18 AWG) OR 5A (20 AWG) OR 3A (22 AWG) PER CONTACT WHEN USING 3 CONTACTS
 - DIELECTRIC WITHSTANDING VOLTAGE: 1800 VAC
 - INSULATION RESISTANCE: 500 MEGAOHMS
 - OPERATING TEMPERATURE: -40°C TO +105°C
- CRIMP WIRE TO CONTACT BEFORE ASSEMBLING INTO HOUSING.
- PIN CONTACTS TO BE PURCHASED SEPARATELY ON REEL. P/N: FLH-PC136-XXX

AMPHENOL PART NUMBER: FLH-PX1-00



SOCKET CONNECTOR
FLH-SX1-00

MATED ASSEMBLY VIEW

PIN CONNECTOR
FLH-PX1-00

UNLESS SPECIFIED OTHERWISE	DRAWN	B.COPPING	FEB20/18
PRIMARY UNITS MILLIMETERS	CHECKED	S.MUGAN	FEB20/18
SECONDARY UNITS INCHES	M.E. APPD		
REFERENCE IN PARENTHESES	Q.A. APPD		
GENERAL TOLERANCES	DWG APPR.		
1 DECIMAL PLACE	ENG. REL. NO.		
2 DECIMAL PLACES	REF.		
3 DECIMAL PLACES	THIRD ANGLE PROJECTION		
ANGULAR DEGREES	DO NOT SCALE DRAWING		

Amphenol Canada Corp.
Commercial Products

FLH SERIES, MINI SEALED 2.5mm PITCH PIN CONNECTOR HOUSING ASSEMBLY, 2 OR 3 CONTACT OPTIONS, RoHS COMPLIANT

DWG. NO. **P-FLH-PX1-00** REV **E**

CODE ID NO. 03554 DWG SIZE: X SCALE: 5:1 SHEET 1 OF 1