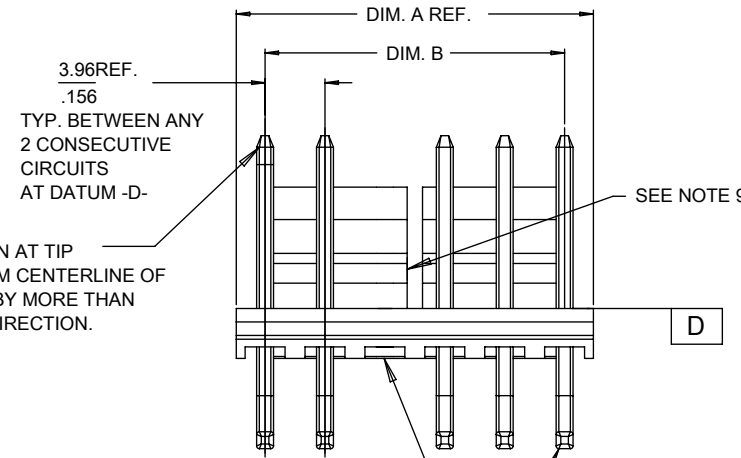


CENTERLINE OF PIN AT TIP  
NOT TO VARY FROM CENTERLINE OF  
PIN AT DATUM -D- BY MORE THAN  
0.20 / .008 IN ANY DIRECTION.

CENTERLINE OF PIN AT TIP  
NOT TO VARY FROM CENTERLINE OF  
PIN AT DATUM -D- BY MORE THAN  
0.20 / .008 IN ANY DIRECTION.



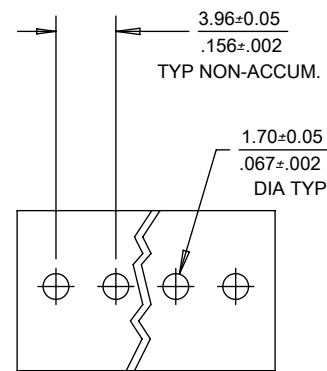
OPTIONAL VOIDED CIRCUIT  
SEE CHART FOR LOCATIONS

CIRCUIT 1 REF.  
SEE NOTE 10

CKT	DIM. A	DIM. B	SLOT LOC BETWEEN CKTS
2	7.77 .306	3.96±0.05 .156±.002	NONE
3	11.73 .462	7.92±0.08 .312±.003	NONE
4	15.70 .618	11.89±0.08 .468±.003	NONE
5	19.66 .774	15.85±0.10 .624±.004	NONE
6	23.62 .930	19.81±0.10 .780±.004	3 & 4
7	27.58 1.086	23.77±0.10 .936±.004	4 & 5
8	31.55 1.242	27.74±0.13 1.092±.005	4 & 5
9	35.51 1.398	31.70±0.13 1.248±.005	5 & 6
10	39.47 1.554	35.66±0.13 1.404±.005	5 & 6
11	43.43 1.710	39.62±0.15 1.560±.006	6 & 7
12	47.40 1.866	43.59±0.15 1.716±.006	4 & 5 8 & 9
13	51.36 2.022	47.55±0.15 1.872±.006	4 & 5 9 & 10
14	55.32 2.178	51.51±0.18 2.028±.007	5 & 6 9 & 10
15	59.28 2.334	55.47±0.18 2.184±.007	5 & 6 10 & 11
16	63.25 2.490	59.44±0.18 2.340±.007	5 & 6 11 & 12
17	67.21 2.646	63.40±0.20 2.496±.008	6 & 7 11 & 12
18	71.17 2.802	67.36±0.20 2.652±.008	6 & 7 12 & 13

NOTES:

- MATERIAL: HEADER-GLASS FILLED POLYESTER, 94V-0, MOLDED NATURAL (WHITE).
- FINISH: (197) OVERALL REFLOWED MATTE TIN: 0.00152/.000060 MIN. OVER 0.00127/.000050 MIN. NICKEL OVERALL. (154) OVERALL TIN: .00254/.000100 MIN OVER .00127/.000050 MIN NICKEL. (208) SELECT GOLD: .00038/.000015 MIN, SELECT TIN: .00254/.000100 MIN, OVERALL NICKEL UNDERPLATE: .00127/.000050 MIN. (228) SELECT GOLD: .00076/.000030 MIN, SELECT TIN: .00254/.000100 MIN, OVERALL NICKEL UNDERPLATE: .00127/.000050 MIN. (241) SELECT GOLD: 0.00051/.000020 MIN. SELECT TIN: 0.00254/.000100 MIN. OVERALL NICKEL UNDERPLATE: 0.00127/.000050 MIN. FOR ADDITIONAL PLATING INFO, SEE SDES-88.
- PRODUCT SPECIFICATION AND PROCESS PARAMETERS: SEE PS-08-50.
- PACKAGING INFORMATION: SEE CHART
- SOLDERABILITY: PER SMES-152.
- PIN PUSH-OUT FORCE: PRIOR TO SOLDERING, A 3 LB. MINIMUM FORCE (IN EITHER DIRECTION)
- PARTS ARE STACKABLE END TO END ON 3.96/.156 CENTERS.
- THIS PART CONFORMS TO CLASS B REQUIREMENTS OF COSMETIC SPECIFICATION PS-45499-002.
- SLOTS ON BACKWALL ARE BETWEEN CIRCUITS. SEE CHART FOR LOCATION.
- CIRCUIT 1 DESIGNATION IS USED TO DEFINE VOID LOCATION. CIRCUIT 1 MAY OR MAY NOT LINE UP WITH CIRCUIT 1 ON THE MATING HOUSING.



PCB LAYOUT: COMPONENT SIDE

SYMBOLS		THIS DRAWING CONTAINS INFORMATION THAT IS PROPRIETARY TO MOLEX ELECTRONIC TECHNOLOGIES, LLC AND SHOULD NOT BE USED WITHOUT WRITTEN PERMISSION	
▽ = 0	DIMENSION UNITS	SCALE	CURRENT REV DESC: BOTH SHEETS MERGED
▽ = 0	mm/in		
▽ = 0	GENERAL TOLERANCES (UNLESS SPECIFIED)		
▽ = 0		MM	INCH
▽ = 0	4 PLACES ±		
▽ = 0	3 PLACES ±	± 0.01	
▽ = 0	2 PLACES ±	± 0.25 ± 0.015	
▽ = 0	1 PLACE ±	± 0.38 ±	
▽ = 0	0 PLACES ±		
▽ = 0	ANGULAR TOL	± 0.5 °	
▽ = 0	DRAFT WHERE APPLICABLE MUST REMAIN WITHIN DIMENSIONS	THIRD ANGLE PROJECTION	DRAWING
			SERIES
			41792
			11-07-03
			11-17-03
			INITIAL REVISION:
			DRWN: JSCHAFFER
			APPR: MARGULIS
			2018/10/30
			2018/11/22
			2018/11/22
			EC NO: 608079
			DRWN: SS06
			CHK'D: ISHWARG
			APPR: ISHWARG
			2018/11/22
			PRODUCT CUSTOMER DRAWING
			DOCUMENT NUMBER
			SDA-41792
			DOC TYPE
			PSD
			DOC PART
			000
			REVISION
			K5
			MATERIAL NUMBER
			SEE CHART
			CUSTOMER
			GENERAL MARKET
			SHEET NUMBER
			1 OF 8

10	9	8	7	6	5	4	3	2	1																																																																																	
									41792																																																																																	
F	E	D	C	B	A	OPTIONS	Group	A-41792-0002/0018	Group	A-41792-0511/0527	Group	A-41792-0528/0544	Group	A-41792-0562/0578																																																																												
							Header No:	41790-0002/0018	Header No:	41790-0002/0018	Header No:	41790-0002/0018	Header No:	41790-0002/0018																																																																												
							Pin No:	43294-0572	Pin No:	43294-0569	Pin No:	43294-0570	Pin No:	43294-0570																																																																												
							Plating:	197 - TIN	Plating:	208 - 15 GOLD	Plating:	228 - 30 GOLD	Plating:	228 - 30 GOLD																																																																												
							Pin Length L	27.94 / 1.100	Pin Length L	27.94 / 1.100	Pin Length L	27.94 / 1.100	Pin Length L	27.94 / 1.100																																																																												
							Mating M	11.43 / .450	Mating M	11.43 / .450	Mating M	11.43 / .450	Mating M	11.43 / .450																																																																												
							Gold Loc G	N/A	Gold Loc G	6.86/ .270	Gold Loc G	6.86/ .270	Gold Loc G	6.86/ .270																																																																												
							Height Y	5.41 / .213	Height Y	5.41 / .213	Height Y	5.41 / .213	Height Y	5.41 / .213																																																																												
							PC Tail P	3.96/ .156	PC Tail P	3.96/ .156	PC Tail P	3.96/ .156	PC Tail P	3.96/ .156																																																																												
							Tin Loc T	OVERALL	Tin Loc T	5.08/ .200	Tin Loc T	5.08/ .200	Tin Loc T	5.08/ .200																																																																												
							Voided Ckts	NONE	Voided Ckts	NONE	Voided Ckts	NONE	Voided Ckts	2																																																																												
							Pack Per	PK-41792-002	Pack Per	PK-41792-002	Pack Per	PK-41792-002	Pack Per	PK-41792-002																																																																												
							Ckts	Material No	Engineer Number	Material No	Engineer Number	Material No	Engineer Number	Material No	Engineer Number																																																																											
							2	26-60-5020	A-41792-0002	41792-0511	A-41792-0511	41792-0528	A-41792-0528	41792-0562	A-41792-0562																																																																											
							3	26-60-5030	A-41792-0003	41792-0512	A-41792-0512	41792-0529	A-41792-0529	41792-0563	A-41792-0563																																																																											
							4	26-60-5040	A-41792-0004	41792-0513	A-41792-0513	41792-0530	A-41792-0530	41792-0564	A-41792-0564																																																																											
							5	26-60-5050	A-41792-0005	41792-0514	A-41792-0514	41792-0531	A-41792-0531	41792-0565	A-41792-0565																																																																											
							6	26-60-5060	A-41792-0006	41792-0515	A-41792-0515	41792-0532	A-41792-0532	41792-0566	A-41792-0566																																																																											
7	26-60-5070	A-41792-0007	41792-0516	A-41792-0516	41792-0533	A-41792-0533	41792-0567	A-41792-0567																																																																																		
8	26-60-5080	A-41792-0008	41792-0517	A-41792-0517	41792-0534	A-41792-0534	41792-0568	A-41792-0568																																																																																		
9	26-60-5090	A-41792-0009	41792-0518	A-41792-0518	41792-0535	A-41792-0535	41792-0569	A-41792-0569																																																																																		
10	26-60-5100	A-41792-0010	41792-0519	A-41792-0519	41792-0536	A-41792-0536	41792-0570	A-41792-0570																																																																																		
11	26-60-5110	A-41792-0011	41792-0520	A-41792-0520	41792-0537	A-41792-0537	41792-0571	A-41792-0571																																																																																		
12	26-60-5120	A-41792-0012	41792-0521	A-41792-0521	41792-0538	A-41792-0538	41792-0572	A-41792-0572																																																																																		
13	26-60-5130	A-41792-0013	41792-0522	A-41792-0522	41792-0539	A-41792-0539	41792-0573	A-41792-0573																																																																																		
14	26-60-5140	A-41792-0014	41792-0523	A-41792-0523	41792-0540	A-41792-0540	41792-0574	A-41792-0574																																																																																		
15	26-60-5150	A-41792-0015	41792-0524	A-41792-0524	41792-0541	A-41792-0541	41792-0575	A-41792-0575																																																																																		
16	26-60-5160	A-41792-0016	41792-0525	A-41792-0525	41792-0542	A-41792-0542	41792-0576	A-41792-0576																																																																																		
17	26-60-5170	A-41792-0017	41792-0526	A-41792-0526	41792-0543	A-41792-0543	41792-0577	A-41792-0577																																																																																		
18	26-60-5180	A-41792-0018	41792-0527	A-41792-0527	41792-0544	A-41792-0544	41792-0578	A-41792-0578																																																																																		
						<table border="1"> <tr> <td>SYMBOLS</td> <td colspan="2">THIS DRAWING CONTAINS INFORMATION THAT IS PROPRIETARY TO MOLEX ELECTRONIC TECHNOLOGIES, LLC AND SHOULD NOT BE USED WITHOUT WRITTEN PERMISSION</td> </tr> <tr> <td></td> <td>DIMENSION UNITS</td> <td>SCALE</td> </tr> <tr> <td></td> <td>mm/in</td> <td></td> </tr> <tr> <td></td> <td colspan="2">GENERAL TOLERANCES (UNLESS SPECIFIED)</td> </tr> <tr> <td></td> <td>4 PLACES ±</td> <td>±</td> </tr> <tr> <td></td> <td>3 PLACES ±</td> <td>± 0.01</td> </tr> <tr> <td></td> <td>2 PLACES ±</td> <td>± 0.25 ± 0.015</td> </tr> <tr> <td></td> <td>1 PLACE ±</td> <td>± 0.38 ±</td> </tr> <tr> <td></td> <td>0 PLACES ±</td> <td>±</td> </tr> <tr> <td></td> <td>ANGULAR TOL</td> <td>± 0.5°</td> </tr> <tr> <td></td> <td>DRAFT WHERE APPLICABLE</td> <td>THIRD ANGLE PROJECTION</td> </tr> <tr> <td></td> <td>MUST REMAIN WITHIN DIMENSIONS</td> <td>DRAWING</td> </tr> <tr> <td></td> <td></td> <td>SERIES</td> </tr> <tr> <td></td> <td></td> <td>41792</td> </tr> </table>	SYMBOLS	THIS DRAWING CONTAINS INFORMATION THAT IS PROPRIETARY TO MOLEX ELECTRONIC TECHNOLOGIES, LLC AND SHOULD NOT BE USED WITHOUT WRITTEN PERMISSION			DIMENSION UNITS	SCALE		mm/in			GENERAL TOLERANCES (UNLESS SPECIFIED)			4 PLACES ±	±		3 PLACES ±	± 0.01		2 PLACES ±	± 0.25 ± 0.015		1 PLACE ±	± 0.38 ±		0 PLACES ±	±		ANGULAR TOL	± 0.5°		DRAFT WHERE APPLICABLE	THIRD ANGLE PROJECTION		MUST REMAIN WITHIN DIMENSIONS	DRAWING			SERIES			41792	<table border="1"> <tr> <td colspan="2">CURRENT REV DESC: BOTH SHEETS MERGED</td> </tr> <tr> <td>EC NO: 608079</td> <td>2018/10/30</td> </tr> <tr> <td>DRWN: SS06</td> <td>2018/11/22</td> </tr> <tr> <td>CHK'D: ISHWARG</td> <td>2018/11/22</td> </tr> <tr> <td>APPR: ISHWARG</td> <td>2018/11/22</td> </tr> <tr> <td colspan="2">INITIAL REVISION:</td> </tr> <tr> <td>DRWN: JSCHAFFER</td> <td>11-07-03</td> </tr> <tr> <td>APPR: MARGULIS</td> <td>11-17-03</td> </tr> </table>	CURRENT REV DESC: BOTH SHEETS MERGED		EC NO: 608079	2018/10/30	DRWN: SS06	2018/11/22	CHK'D: ISHWARG	2018/11/22	APPR: ISHWARG	2018/11/22	INITIAL REVISION:		DRWN: JSCHAFFER	11-07-03	APPR: MARGULIS	11-17-03	<table border="1"> <tr> <td colspan="3"><b>molex</b></td> </tr> <tr> <td colspan="3">KK .156 HEADER ASSEMBLY FRICTION LOCK RIGHT ANGLE W/O PEGS</td> </tr> <tr> <td colspan="3">PRODUCT CUSTOMER DRAWING</td> </tr> <tr> <td>DOCUMENT NUMBER</td> <td>DOC TYPE</td> <td>DOC PART</td> </tr> <tr> <td>SDA-41792</td> <td>PSD</td> <td>000</td> </tr> <tr> <td>REVISION</td> <td colspan="2">K5</td> </tr> <tr> <td>MATERIAL NUMBER</td> <td>CUSTOMER</td> <td>SHEET NUMBER</td> </tr> <tr> <td>SEE CHART</td> <td>GENERAL MARKET</td> <td>2 OF 8</td> </tr> </table>	<b>molex</b>			KK .156 HEADER ASSEMBLY FRICTION LOCK RIGHT ANGLE W/O PEGS			PRODUCT CUSTOMER DRAWING			DOCUMENT NUMBER	DOC TYPE	DOC PART	SDA-41792	PSD	000	REVISION	K5		MATERIAL NUMBER	CUSTOMER	SHEET NUMBER	SEE CHART	GENERAL MARKET	2 OF 8
SYMBOLS	THIS DRAWING CONTAINS INFORMATION THAT IS PROPRIETARY TO MOLEX ELECTRONIC TECHNOLOGIES, LLC AND SHOULD NOT BE USED WITHOUT WRITTEN PERMISSION																																																																																									
	DIMENSION UNITS	SCALE																																																																																								
	mm/in																																																																																									
	GENERAL TOLERANCES (UNLESS SPECIFIED)																																																																																									
	4 PLACES ±	±																																																																																								
	3 PLACES ±	± 0.01																																																																																								
	2 PLACES ±	± 0.25 ± 0.015																																																																																								
	1 PLACE ±	± 0.38 ±																																																																																								
	0 PLACES ±	±																																																																																								
	ANGULAR TOL	± 0.5°																																																																																								
	DRAFT WHERE APPLICABLE	THIRD ANGLE PROJECTION																																																																																								
	MUST REMAIN WITHIN DIMENSIONS	DRAWING																																																																																								
		SERIES																																																																																								
		41792																																																																																								
CURRENT REV DESC: BOTH SHEETS MERGED																																																																																										
EC NO: 608079	2018/10/30																																																																																									
DRWN: SS06	2018/11/22																																																																																									
CHK'D: ISHWARG	2018/11/22																																																																																									
APPR: ISHWARG	2018/11/22																																																																																									
INITIAL REVISION:																																																																																										
DRWN: JSCHAFFER	11-07-03																																																																																									
APPR: MARGULIS	11-17-03																																																																																									
<b>molex</b>																																																																																										
KK .156 HEADER ASSEMBLY FRICTION LOCK RIGHT ANGLE W/O PEGS																																																																																										
PRODUCT CUSTOMER DRAWING																																																																																										
DOCUMENT NUMBER	DOC TYPE	DOC PART																																																																																								
SDA-41792	PSD	000																																																																																								
REVISION	K5																																																																																									
MATERIAL NUMBER	CUSTOMER	SHEET NUMBER																																																																																								
SEE CHART	GENERAL MARKET	2 OF 8																																																																																								
DOCUMENT STATUS	P1	RELEASE DATE	2018/11/22	16:59:40																																																																																						
10	9	8	7	6	5	4	3	2	1																																																																																	

10	9	8	7	6	5	4	3	2	1																																																																			
									41792																																																																			
E	OPTIONS	Group	A-41792-0019/0035	Group	A-41792-0036/0050	Group	A-41792-0051/0067	Group																																																																				
		Header No:	41790-0002/0018	Header No:	41790-0004/0018	Header No:	41790-0002/0018	Header No:																																																																				
		Pin No:	43294-0573	Pin No:	43294-0572	Pin No:	43294-0643	Pin No:																																																																				
		Plating:	241 - GOLD	Plating:	197 - TIN	Plating:	197 - TIN	Plating:																																																																				
		Pin Length L	27.94 / 1.100	Pin Length L	27.94 / 1.100	Pin Length L	29.97 / 1.180	Pin Length L																																																																				
		Mating M	11.43 / .450	Mating M	11.43 / .450	Mating M	13.41 / .528	Mating M																																																																				
		Gold Loc G	6.86/ .270	Gold Loc G	N/A	Gold Loc G	N/A	Gold Loc G																																																																				
		Height Y	5.41 / .213	Height Y	5.41 / .213	Height Y	5.41 / .213	Height Y																																																																				
		PC Tail P	3.96/ .156	PC Tail P	3.96/ .156	PC Tail P	4.01 / .158	PC Tail P																																																																				
		Tin Loc T	5.08/ .200	Tin Loc T	OVERALL	Tin Loc T	OVERALL	Tin Loc T																																																																				
		Voided Ckts	NONE	Voided Ckts	4	Voided Ckts	NONE	Voided Ckts																																																																				
		Pack Per	PK-41792-002	Pack Per	PK-41792-002	Pack Per	PK-41792-002	Pack Per																																																																				
Ckts	Material No	Engineer Number	Material No	Engineer Number	Material No	Engineer Number	Material No	Engineer Number																																																																				
2	26-61-5020	A-41792-0019			26-60-5021	A-41792-0051																																																																						
3	26-61-5030	A-41792-0020																																																																										
4	26-61-5040	A-41792-0021	26-61-5043	A-41792-0036	26-60-5041	A-41792-0053																																																																						
5	26-61-5050	A-41792-0022	26-61-5053	A-41792-0037																																																																								
6	26-61-5060	A-41792-0023	26-61-5063	A-41792-0038																																																																								
7	26-61-5070	A-41792-0024	26-61-5073	A-41792-0039																																																																								
8	26-61-5080	A-41792-0025	26-61-5083	A-41792-0040																																																																								
9	26-61-5090	A-41792-0026	26-61-5093	A-41792-0041																																																																								
10	26-61-5100	A-41792-0027	26-61-5103	A-41792-0042																																																																								
11	26-61-5110	A-41792-0028	26-61-5113	A-41792-0043																																																																								
12	26-61-5120	A-41792-0029	26-61-5123	A-41792-0044																																																																								
13	26-61-5130	A-41792-0030	26-61-5133	A-41792-0045																																																																								
14	26-61-5140	A-41792-0031	26-61-5143	A-41792-0046																																																																								
15	26-61-5150	A-41792-0032	26-61-5153	A-41792-0047																																																																								
16	26-61-5160	A-41792-0033	26-61-5163	A-41792-0048																																																																								
17	26-61-5170	A-41792-0034	26-61-5173	A-41792-0049																																																																								
18	26-61-5180	A-41792-0035	26-61-5183	A-41792-0050																																																																								
<table border="1"> <tr> <td>SYMBOLS</td> <td colspan="2">THIS DRAWING CONTAINS INFORMATION THAT IS PROPRIETARY TO MOLEX ELECTRONIC TECHNOLOGIES, LLC AND SHOULD NOT BE USED WITHOUT WRITTEN PERMISSION</td> </tr> <tr> <td></td> <td>DIMENSION UNITS</td> <td>SCALE</td> </tr> <tr> <td></td> <td>mm/in</td> <td></td> </tr> <tr> <td></td> <td colspan="2">GENERAL TOLERANCES (UNLESS SPECIFIED)</td> </tr> <tr> <td></td> <td>4 PLACES</td> <td>± 0.25</td> </tr> <tr> <td></td> <td>3 PLACES</td> <td>± 0.01</td> </tr> <tr> <td></td> <td>2 PLACES</td> <td>± 0.25 ± 0.015</td> </tr> <tr> <td></td> <td>1 PLACE</td> <td>± 0.38</td> </tr> <tr> <td></td> <td>0 PLACES</td> <td>± 0.5</td> </tr> <tr> <td></td> <td>ANGULAR TOL</td> <td>± 0.5°</td> </tr> <tr> <td></td> <td colspan="2">DRAFT WHERE APPLICABLE MUST REMAIN WITHIN DIMENSIONS</td> </tr> </table>						SYMBOLS	THIS DRAWING CONTAINS INFORMATION THAT IS PROPRIETARY TO MOLEX ELECTRONIC TECHNOLOGIES, LLC AND SHOULD NOT BE USED WITHOUT WRITTEN PERMISSION			DIMENSION UNITS	SCALE		mm/in			GENERAL TOLERANCES (UNLESS SPECIFIED)			4 PLACES	± 0.25		3 PLACES	± 0.01		2 PLACES	± 0.25 ± 0.015		1 PLACE	± 0.38		0 PLACES	± 0.5		ANGULAR TOL	± 0.5°		DRAFT WHERE APPLICABLE MUST REMAIN WITHIN DIMENSIONS		<table border="1"> <tr> <td colspan="2">CURRENT REV DESC: BOTH SHEETS MERGED</td> </tr> <tr> <td>EC NO: 608079</td> <td></td> </tr> <tr> <td>DRWN: SS06</td> <td>2018/10/30</td> </tr> <tr> <td>CHK'D: ISHWARG</td> <td>2018/11/22</td> </tr> <tr> <td>APPR: ISHWARG</td> <td>2018/11/22</td> </tr> <tr> <td colspan="2">INITIAL REVISION:</td> </tr> <tr> <td>DRWN: JSCHAFFER</td> <td>11-07-03</td> </tr> <tr> <td>APPR: MARGULIS</td> <td>11-17-03</td> </tr> </table>		CURRENT REV DESC: BOTH SHEETS MERGED		EC NO: 608079		DRWN: SS06	2018/10/30	CHK'D: ISHWARG	2018/11/22	APPR: ISHWARG	2018/11/22	INITIAL REVISION:		DRWN: JSCHAFFER	11-07-03	APPR: MARGULIS	11-17-03	<table border="1"> <tr> <td colspan="3"> </td> </tr> <tr> <td colspan="3">           KK .156 HEADER ASSEMBLY            FRICTION LOCK RIGHT ANGLE W/O PEGS         </td> </tr> <tr> <td colspan="3">           PRODUCT CUSTOMER DRAWING         </td> </tr> <tr> <td>DOCUMENT NUMBER</td> <td>DOC TYPE</td> <td>DOC PART</td> </tr> <tr> <td>SDA-41792</td> <td>PSD</td> <td>000</td> </tr> <tr> <td>REVISION</td> <td colspan="2">K5</td> </tr> </table>					KK .156 HEADER ASSEMBLY FRICTION LOCK RIGHT ANGLE W/O PEGS			PRODUCT CUSTOMER DRAWING			DOCUMENT NUMBER	DOC TYPE	DOC PART	SDA-41792	PSD	000	REVISION	K5	
SYMBOLS	THIS DRAWING CONTAINS INFORMATION THAT IS PROPRIETARY TO MOLEX ELECTRONIC TECHNOLOGIES, LLC AND SHOULD NOT BE USED WITHOUT WRITTEN PERMISSION																																																																											
	DIMENSION UNITS	SCALE																																																																										
	mm/in																																																																											
	GENERAL TOLERANCES (UNLESS SPECIFIED)																																																																											
	4 PLACES	± 0.25																																																																										
	3 PLACES	± 0.01																																																																										
	2 PLACES	± 0.25 ± 0.015																																																																										
	1 PLACE	± 0.38																																																																										
	0 PLACES	± 0.5																																																																										
	ANGULAR TOL	± 0.5°																																																																										
	DRAFT WHERE APPLICABLE MUST REMAIN WITHIN DIMENSIONS																																																																											
CURRENT REV DESC: BOTH SHEETS MERGED																																																																												
EC NO: 608079																																																																												
DRWN: SS06	2018/10/30																																																																											
CHK'D: ISHWARG	2018/11/22																																																																											
APPR: ISHWARG	2018/11/22																																																																											
INITIAL REVISION:																																																																												
DRWN: JSCHAFFER	11-07-03																																																																											
APPR: MARGULIS	11-17-03																																																																											
KK .156 HEADER ASSEMBLY FRICTION LOCK RIGHT ANGLE W/O PEGS																																																																												
PRODUCT CUSTOMER DRAWING																																																																												
DOCUMENT NUMBER	DOC TYPE	DOC PART																																																																										
SDA-41792	PSD	000																																																																										
REVISION	K5																																																																											
<table border="1"> <tr> <td>DOCUMENT STATUS</td> <td>P1</td> <td>RELEASE DATE</td> <td>2018/11/22</td> <td>16:59:40</td> </tr> </table>		DOCUMENT STATUS	P1	RELEASE DATE	2018/11/22	16:59:40	<table border="1"> <tr> <td>THIRD ANGLE PROJECTION</td> <td>DRAWING</td> <td>SERIES</td> <td>MATERIAL NUMBER</td> <td>CUSTOMER</td> <td>SHEET NUMBER</td> </tr> <tr> <td></td> <td>B-SIZE</td> <td>41792</td> <td>SEE CHART</td> <td>GENERAL MARKET</td> <td>3 OF 8</td> </tr> </table>		THIRD ANGLE PROJECTION	DRAWING	SERIES	MATERIAL NUMBER	CUSTOMER	SHEET NUMBER		B-SIZE	41792	SEE CHART	GENERAL MARKET	3 OF 8																																																								
DOCUMENT STATUS	P1	RELEASE DATE	2018/11/22	16:59:40																																																																								
THIRD ANGLE PROJECTION	DRAWING	SERIES	MATERIAL NUMBER	CUSTOMER	SHEET NUMBER																																																																							
	B-SIZE	41792	SEE CHART	GENERAL MARKET	3 OF 8																																																																							
10	9	8	7	6	5	4	3	2	1																																																																			

10	9	8	7	6	5	4	3	2	1																																																																																																					
									41792																																																																																																					
E	OPTIONS	Group	A-41792-0198/0213	Group	A-41792-0214/0227	Group	A-41792-0242/0257	Group	A-41792-0341/0352																																																																																																					
		Header No:	41790-0002/0018	Header No:	41790-0005/0018	Header No:	41790-0003/0018	Header No:	41790-0007/0018																																																																																																					
		Pin No:	43294-0572	Pin No:	43294-0572	Pin No:	43294-0572	Pin No:	43294-0572																																																																																																					
		Plating:	197 - TIN	Plating:	197 - TIN	Plating:	197 - TIN	Plating:	197 - TIN																																																																																																					
		Pin Length L	27.94/ 1.100	Pin Length L	27.94/ 1.100	Pin Length L	27.94/ 1.100	Pin Length L	27.94/ 1.100																																																																																																					
		Mating M	11.43 / .450	Mating M	11.43 / .450	Mating M	11.43 / .450	Mating M	11.43 / .450																																																																																																					
		Gold Loc G	N/A	Gold Loc G	N/A	Gold Loc G	N/A	Gold Loc G	N/A																																																																																																					
		Height Y	5.41 / .213	Height Y	5.41 / .213	Height Y	5.41 / .213	Height Y	5.41 / .213																																																																																																					
		PC Tail P	3.96 / .156	PC Tail P	3.96 / .156	PC Tail P	3.96 / .156	PC Tail P	3.96 / .156																																																																																																					
		Tin Loc T	OVERALL	Tin Loc T	OVERALL	Tin Loc T	OVERALL	Tin Loc T	OVERALL																																																																																																					
		Voided Ckts	2	Voided Ckts	5	Voided Ckts	3	Voided Ckts	7																																																																																																					
		Pack Per	PK-41792-002	Pack Per	PK-41792-002	Pack Per	PK-41792-002	Pack Per	PK-41792-002																																																																																																					
Ckts	Material No	Engineer Number	Material No	Engineer Number	Material No	Engineer Number	Material No	Engineer Number																																																																																																						
2																																																																																																														
3	26-62-5031	A-41792-0198			26-62-5035	A-41792-0242																																																																																																								
4	26-62-5041	A-41792-0199			26-62-5045	A-41792-0243																																																																																																								
5	26-62-5051	A-41792-0200	41792-0214	A-41792-0214	26-62-5055	A-41792-0244																																																																																																								
6	26-62-5061	A-41792-0201	26-62-5060	A-41792-0215	26-62-5065	A-41792-0245																																																																																																								
7	26-62-5071	A-41792-0202	41792-0216	A-41792-0216	26-62-5075	A-41792-0246	41792-0341	A-41792-0341																																																																																																						
8	26-62-5081	A-41792-0203	41792-0217	A-41792-0217	26-62-5085	A-41792-0247	41792-0342	A-41792-0342																																																																																																						
9	26-62-5091	A-41792-0204	41792-0218	A-41792-0218	26-62-5095	A-41792-0248	41792-0343	A-41792-0343																																																																																																						
10	26-62-5101	A-41792-0205	26-62-5100	A-41792-0219	26-62-5105	A-41792-0249	41792-0344	A-41792-0344																																																																																																						
11	26-62-5111	A-41792-0206	41792-0220	A-41792-0220	26-62-5115	A-41792-0250	41792-0345	A-41792-0345																																																																																																						
12	26-62-5121	A-41792-0207	41792-0221	A-41792-0221	26-62-5125	A-41792-0251	41792-0346	A-41792-0346																																																																																																						
13	26-62-5131	A-41792-0208	41792-0222	A-41792-0222	26-62-5135	A-41792-0252	41792-0347	A-41792-0347																																																																																																						
14	26-62-5141	A-41792-0209	41792-0223	A-41792-0223	26-62-5145	A-41792-0253	41792-0348	A-41792-0348																																																																																																						
15	26-62-5151	A-41792-0210	41792-0224	A-41792-0224	26-62-5155	A-41792-0254	41792-0349	A-41792-0349																																																																																																						
16	26-62-5161	A-41792-0211	41792-0225	A-41792-0225	26-62-5165	A-41792-0255	41792-0350	A-41792-0350																																																																																																						
17	26-62-5171	A-41792-0212	41792-0226	A-41792-0226	26-62-5175	A-41792-0256	41792-0351	A-41792-0351																																																																																																						
18	26-62-5181	A-41792-0213	41792-0227	A-41792-0227	26-62-5185	A-41792-0257	41792-0352	A-41792-0352																																																																																																						
<table border="1"> <tr> <td rowspan="10">A</td> <td>SYMBOLS</td> <td colspan="8">THIS DRAWING CONTAINS INFORMATION THAT IS PROPRIETARY TO MOLEX ELECTRONIC TECHNOLOGIES, LLC AND SHOULD NOT BE USED WITHOUT WRITTEN PERMISSION</td> </tr> <tr> <td>▽ = 0</td> <td>DIMENSION UNITS</td> <td colspan="2">SCALE</td> <td colspan="5">CURRENT REV DESC: BOTH SHEETS MERGED</td> </tr> <tr> <td>▽ = 0</td> <td>mm/in</td> <td colspan="2"></td> <td colspan="5" rowspan="4">           EC NO: 608079            DRWN: SS06 2018/10/30            CHK'D: ISHWARG 2018/11/22            APPR: ISHWARG 2018/11/22         </td> </tr> <tr> <td>▽ = 0</td> <td colspan="2">GENERAL TOLERANCES (UNLESS SPECIFIED)</td> <td colspan="2"></td> </tr> <tr> <td>▽ = 0</td> <td></td> <td>MM</td> <td>INCH</td> </tr> <tr> <td>▽ = 0</td> <td>4 PLACES ±</td> <td></td> <td></td> </tr> <tr> <td>▽ = 0</td> <td>3 PLACES ±</td> <td></td> <td>± 0.01</td> </tr> <tr> <td>▽ = 0</td> <td>2 PLACES ±</td> <td>0.25</td> <td>± 0.015</td> </tr> <tr> <td>▽ = 0</td> <td>1 PLACE ±</td> <td>0.38</td> <td></td> </tr> <tr> <td>▽ = 0</td> <td>0 PLACES ±</td> <td></td> <td></td> </tr> <tr> <td>▽ = 0</td> <td>ANGULAR TOL ±</td> <td colspan="2">0.5°</td> <td colspan="5" rowspan="2">           INITIAL REVISION:            DRWN: JSCHAFFER 11-07-03            APPR: MARGULIS 11-17-03         </td> </tr> <tr> <td>▽ = 0</td> <td colspan="2">DRAFT WHERE APPLICABLE MUST REMAIN WITHIN DIMENSIONS</td> <td colspan="2">THIRD ANGLE PROJECTION</td> <td>DRAWING</td> <td>SERIES</td> <td>DOCUMENT NUMBER</td> <td>DOC TYPE</td> <td>DOC PART</td> <td>REVISION</td> </tr> <tr> <td></td> <td></td> <td></td> <td></td> <td></td> <td></td> <td>B-SIZE</td> <td>41792</td> <td>SDA-41792</td> <td>PSD</td> <td>000</td> <td>K5</td> </tr> <tr> <td></td> <td></td> <td></td> <td></td> <td></td> <td></td> <td></td> <td></td> <td>SEE CHART</td> <td>GENERAL MARKET</td> <td></td> <td>4 OF 8</td> </tr> </table>										A	SYMBOLS	THIS DRAWING CONTAINS INFORMATION THAT IS PROPRIETARY TO MOLEX ELECTRONIC TECHNOLOGIES, LLC AND SHOULD NOT BE USED WITHOUT WRITTEN PERMISSION								▽ = 0	DIMENSION UNITS	SCALE		CURRENT REV DESC: BOTH SHEETS MERGED					▽ = 0	mm/in			EC NO: 608079 DRWN: SS06 2018/10/30 CHK'D: ISHWARG 2018/11/22 APPR: ISHWARG 2018/11/22					▽ = 0	GENERAL TOLERANCES (UNLESS SPECIFIED)				▽ = 0		MM	INCH	▽ = 0	4 PLACES ±			▽ = 0	3 PLACES ±		± 0.01	▽ = 0	2 PLACES ±	0.25	± 0.015	▽ = 0	1 PLACE ±	0.38		▽ = 0	0 PLACES ±			▽ = 0	ANGULAR TOL ±	0.5°		INITIAL REVISION: DRWN: JSCHAFFER 11-07-03 APPR: MARGULIS 11-17-03					▽ = 0	DRAFT WHERE APPLICABLE MUST REMAIN WITHIN DIMENSIONS		THIRD ANGLE PROJECTION		DRAWING	SERIES	DOCUMENT NUMBER	DOC TYPE	DOC PART	REVISION							B-SIZE	41792	SDA-41792	PSD	000	K5									SEE CHART	GENERAL MARKET		4 OF 8
A	SYMBOLS	THIS DRAWING CONTAINS INFORMATION THAT IS PROPRIETARY TO MOLEX ELECTRONIC TECHNOLOGIES, LLC AND SHOULD NOT BE USED WITHOUT WRITTEN PERMISSION																																																																																																												
	▽ = 0	DIMENSION UNITS	SCALE		CURRENT REV DESC: BOTH SHEETS MERGED																																																																																																									
	▽ = 0	mm/in			EC NO: 608079 DRWN: SS06 2018/10/30 CHK'D: ISHWARG 2018/11/22 APPR: ISHWARG 2018/11/22																																																																																																									
	▽ = 0	GENERAL TOLERANCES (UNLESS SPECIFIED)																																																																																																												
	▽ = 0		MM	INCH																																																																																																										
	▽ = 0	4 PLACES ±																																																																																																												
	▽ = 0	3 PLACES ±		± 0.01																																																																																																										
	▽ = 0	2 PLACES ±	0.25	± 0.015																																																																																																										
	▽ = 0	1 PLACE ±	0.38																																																																																																											
	▽ = 0	0 PLACES ±																																																																																																												
▽ = 0	ANGULAR TOL ±	0.5°		INITIAL REVISION: DRWN: JSCHAFFER 11-07-03 APPR: MARGULIS 11-17-03																																																																																																										
▽ = 0	DRAFT WHERE APPLICABLE MUST REMAIN WITHIN DIMENSIONS		THIRD ANGLE PROJECTION						DRAWING	SERIES	DOCUMENT NUMBER	DOC TYPE	DOC PART	REVISION																																																																																																
						B-SIZE	41792	SDA-41792	PSD	000	K5																																																																																																			
								SEE CHART	GENERAL MARKET		4 OF 8																																																																																																			
<table border="1"> <tr> <td>DOCUMENT STATUS</td> <td>P1</td> <td>RELEASE DATE</td> <td>2018/11/22</td> <td>16:59:40</td> <td colspan="6"></td> </tr> </table>										DOCUMENT STATUS	P1	RELEASE DATE	2018/11/22	16:59:40																																																																																																
DOCUMENT STATUS	P1	RELEASE DATE	2018/11/22	16:59:40																																																																																																										



10	9	8	7	6	5	4	3	2	1																																																																																																										
									41792																																																																																																										
F	E	D	C	B	A	OPTIONS	Group	A-41792-0596/0612	Group	A-41792-0613/0629	Group	A-41792-0484/0493	Group	A-41792-0653																																																																																																					
							Header No:	41790-0007/0018	Header No:	41790-0009/0018	Header No:	41790-0009/0018	Header No:	41790-0005/0018																																																																																																					
							Pin No:	43294-0571	Pin No:	43294-0571	Pin No:	43294-0571	Pin No:	43294-0570																																																																																																					
							Plating:	154 - TIN	Plating:	154 - TIN	Plating:	154 - TIN	Plating:	228 - 30 GOLD																																																																																																					
							Pin Length L	27.94 / 1.100	Pin Length L	27.94 / 1.100	Pin Length L	27.94 / 1.100	Pin Length L	27.94 / 1.100																																																																																																					
							Mating M	11.43 / .450	Mating M	11.43 / .450	Mating M	11.43 / .450	Mating M	11.43 / .450																																																																																																					
							Gold Loc G	N/A	Gold Loc G	N/A	Gold Loc G	N/A	Gold Loc G	6.86/ .270																																																																																																					
							Height Y	5.41 / .213	Height Y	5.41 / .213	Height Y	5.41 / .213	Height Y	5.41 / .213																																																																																																					
							PC Tail P	3.96 / .156	PC Tail P	3.96 / .156	PC Tail P	3.96 / .156	PC Tail P	3.96/ .156																																																																																																					
							Tin Loc T	OVERALL	Tin Loc T	OVERALL	Tin Loc T	OVERALL	Tin Loc T	5.08/ .200																																																																																																					
							Voided Ckts	2, 7	Voided Ckts	2, 5, 9	Voided Ckts	2, 5, 9	Voided Ckts	2, 5																																																																																																					
							Pack Per	PK-41792-002	Pack Per	PK-41792-002	Pack Per	PK-41792-002	Pack Per	PK-41792-002																																																																																																					
							Ckts	Material No	Engineer Number	Material No	Engineer Number	Material No	Engineer Number	Material No	Engineer Number																																																																																																				
							2																																																																																																												
							3																																																																																																												
							4																																																																																																												
							5																																																																																																												
							6							41792-0653	A-41792-0653																																																																																																				
7	50-29-1926	A-41792-0601																																																																																																																	
8	50-29-1927	A-41792-0602																																																																																																																	
9	50-29-1928	A-41792-0603	50-29-1945	A-41792-0620		A-41792-0630																																																																																																													
10	50-29-1929	A-41792-0604	50-29-1946	A-41792-0621		A-41792-0631																																																																																																													
11	50-29-1930	A-41792-0605	50-29-1947	A-41792-0622		A-41792-0632																																																																																																													
12	50-29-1931	A-41792-0606	50-29-1948	A-41792-0623	41792-0633	A-41792-0633																																																																																																													
13	50-29-1932	A-41792-0607	50-29-1949	A-41792-0624		A-41792-0634																																																																																																													
14	50-29-1933	A-41792-0608	50-29-1950	A-41792-0625		A-41792-0635																																																																																																													
15	50-29-1934	A-41792-0609	50-29-1951	A-41792-0626		A-41792-0636																																																																																																													
16	50-29-1935	A-41792-0610	50-29-1952	A-41792-0627		A-41792-0637																																																																																																													
17	50-29-1936	A-41792-0611	50-29-1953	A-41792-0628		A-41792-0638																																																																																																													
18	50-29-1937	A-41792-0612	50-29-1954	A-41792-0629		A-41792-0639																																																																																																													
						<table border="1"> <tr> <td rowspan="10">SYMBOLS</td> <td></td> <td>= 0</td> <td rowspan="10">THIS DRAWING CONTAINS INFORMATION THAT IS PROPRIETARY TO MOLEX ELECTRONIC TECHNOLOGIES, LLC AND SHOULD NOT BE USED WITHOUT WRITTEN PERMISSION</td> </tr> <tr> <td></td> <td>= 0</td> </tr> <tr> <td></td> <td>= 0</td> </tr> <tr> <td></td> <td>= 0</td> </tr> <tr> <td></td> <td>= 0</td> </tr> <tr> <td></td> <td>= 0</td> </tr> <tr> <td></td> <td>= 0</td> </tr> <tr> <td></td> <td>= 0</td> </tr> <tr> <td></td> <td>= 0</td> </tr> <tr> <td></td> <td>= 0</td> </tr> </table>	SYMBOLS		= 0	THIS DRAWING CONTAINS INFORMATION THAT IS PROPRIETARY TO MOLEX ELECTRONIC TECHNOLOGIES, LLC AND SHOULD NOT BE USED WITHOUT WRITTEN PERMISSION		= 0		= 0		= 0		= 0		= 0		= 0		= 0		= 0		= 0	<table border="1"> <tr> <td colspan="2">DIMENSION UNITS</td> <td colspan="2">SCALE</td> </tr> <tr> <td colspan="2">mm/in</td> <td colspan="2"></td> </tr> <tr> <td colspan="4">GENERAL TOLERANCES (UNLESS SPECIFIED)</td> </tr> <tr> <td></td> <td>MM</td> <td>INCH</td> <td></td> </tr> <tr> <td></td> <td>4 PLACES</td> <td>±</td> <td>±</td> </tr> <tr> <td></td> <td>3 PLACES</td> <td>±</td> <td>± 0.01</td> </tr> <tr> <td></td> <td>2 PLACES</td> <td>± 0.25</td> <td>± 0.015</td> </tr> <tr> <td></td> <td>1 PLACE</td> <td>± 0.38</td> <td>±</td> </tr> <tr> <td></td> <td>0 PLACES</td> <td>±</td> <td>±</td> </tr> <tr> <td></td> <td colspan="2">ANGULAR TOL</td> <td>± 0.5°</td> </tr> <tr> <td></td> <td colspan="3">DRAFT WHERE APPLICABLE MUST REMAIN WITHIN DIMENSIONS</td> </tr> </table>	DIMENSION UNITS		SCALE		mm/in				GENERAL TOLERANCES (UNLESS SPECIFIED)					MM	INCH			4 PLACES	±	±		3 PLACES	±	± 0.01		2 PLACES	± 0.25	± 0.015		1 PLACE	± 0.38	±		0 PLACES	±	±		ANGULAR TOL		± 0.5°		DRAFT WHERE APPLICABLE MUST REMAIN WITHIN DIMENSIONS			<table border="1"> <tr> <td colspan="2">CURRENT REV DESC: BOTH SHEETS MERGED</td> </tr> <tr> <td>EC NO: 608079</td> <td></td> </tr> <tr> <td>DRWN: SS06</td> <td>2018/10/30</td> </tr> <tr> <td>CHK'D: ISHWARG</td> <td>2018/11/22</td> </tr> <tr> <td>APPR: ISHWARG</td> <td>2018/11/22</td> </tr> <tr> <td colspan="2">INITIAL REVISION:</td> </tr> <tr> <td>DRWN: JSCHAFFER</td> <td>11-07-03</td> </tr> <tr> <td>APPR: MARGULIS</td> <td>11-17-03</td> </tr> </table>	CURRENT REV DESC: BOTH SHEETS MERGED		EC NO: 608079		DRWN: SS06	2018/10/30	CHK'D: ISHWARG	2018/11/22	APPR: ISHWARG	2018/11/22	INITIAL REVISION:		DRWN: JSCHAFFER	11-07-03	APPR: MARGULIS	11-17-03	<table border="1"> <tr> <td colspan="3"><b>molex</b></td> </tr> <tr> <td colspan="3">KK .156 HEADER ASSEMBLY FRICTION LOCK RIGHT ANGLE W/O PEGS</td> </tr> <tr> <td colspan="3">PRODUCT CUSTOMER DRAWING</td> </tr> <tr> <td>DOCUMENT NUMBER</td> <td>DOC TYPE</td> <td>DOC PART</td> </tr> <tr> <td>SDA-41792</td> <td>PSD</td> <td>000</td> </tr> <tr> <td>REVISION</td> <td colspan="2">K5</td> </tr> <tr> <td>MATERIAL NUMBER</td> <td>CUSTOMER</td> <td>SHEET NUMBER</td> </tr> <tr> <td>SEE CHART</td> <td>GENERAL MARKET</td> <td>6 OF 8</td> </tr> </table>	<b>molex</b>			KK .156 HEADER ASSEMBLY FRICTION LOCK RIGHT ANGLE W/O PEGS			PRODUCT CUSTOMER DRAWING			DOCUMENT NUMBER	DOC TYPE	DOC PART	SDA-41792	PSD	000	REVISION	K5		MATERIAL NUMBER	CUSTOMER	SHEET NUMBER	SEE CHART	GENERAL MARKET	6 OF 8
SYMBOLS		= 0	THIS DRAWING CONTAINS INFORMATION THAT IS PROPRIETARY TO MOLEX ELECTRONIC TECHNOLOGIES, LLC AND SHOULD NOT BE USED WITHOUT WRITTEN PERMISSION																																																																																																																
		= 0																																																																																																																	
		= 0																																																																																																																	
		= 0																																																																																																																	
		= 0																																																																																																																	
		= 0																																																																																																																	
		= 0																																																																																																																	
		= 0																																																																																																																	
		= 0																																																																																																																	
		= 0																																																																																																																	
DIMENSION UNITS		SCALE																																																																																																																	
mm/in																																																																																																																			
GENERAL TOLERANCES (UNLESS SPECIFIED)																																																																																																																			
	MM	INCH																																																																																																																	
	4 PLACES	±	±																																																																																																																
	3 PLACES	±	± 0.01																																																																																																																
	2 PLACES	± 0.25	± 0.015																																																																																																																
	1 PLACE	± 0.38	±																																																																																																																
	0 PLACES	±	±																																																																																																																
	ANGULAR TOL		± 0.5°																																																																																																																
	DRAFT WHERE APPLICABLE MUST REMAIN WITHIN DIMENSIONS																																																																																																																		
CURRENT REV DESC: BOTH SHEETS MERGED																																																																																																																			
EC NO: 608079																																																																																																																			
DRWN: SS06	2018/10/30																																																																																																																		
CHK'D: ISHWARG	2018/11/22																																																																																																																		
APPR: ISHWARG	2018/11/22																																																																																																																		
INITIAL REVISION:																																																																																																																			
DRWN: JSCHAFFER	11-07-03																																																																																																																		
APPR: MARGULIS	11-17-03																																																																																																																		
<b>molex</b>																																																																																																																			
KK .156 HEADER ASSEMBLY FRICTION LOCK RIGHT ANGLE W/O PEGS																																																																																																																			
PRODUCT CUSTOMER DRAWING																																																																																																																			
DOCUMENT NUMBER	DOC TYPE	DOC PART																																																																																																																	
SDA-41792	PSD	000																																																																																																																	
REVISION	K5																																																																																																																		
MATERIAL NUMBER	CUSTOMER	SHEET NUMBER																																																																																																																	
SEE CHART	GENERAL MARKET	6 OF 8																																																																																																																	
DOCUMENT STATUS	P1	RELEASE DATE	2018/11/22	16:59:40																																																																																																															
10	9	8	7	6	5	4	3	2	1																																																																																																										

10	9	8	7	6	5	4	3	2	1																																																																																																															
									41792																																																																																																															
E	OPTIONS	Group	A-41792-0667	Group	A-41792-0677	Group	A-41792-0690	Group	A-41792-0698																																																																																																															
		Header No:	41790-0009/0018	Header No:	41790-0011/0018	Header No:	41790-0006/0018	Header No:	41790-0013/0018																																																																																																															
		Pin No:	43294-0570	Pin No:	43294-0570	Pin No:	43294-0570	Pin No:	43294-0572																																																																																																															
		Plating:	228 - 30 GOLD	Plating:	228 - 30 GOLD	Plating:	228 - 30 GOLD	Plating:	197 - TIN																																																																																																															
		Pin Length L	27.94 / 1.100	Pin Length L	27.94 / 1.100	Pin Length L	27.94 / 1.100	Pin Length L	27.94 / 1.100																																																																																																															
		Mating M	11.43 / .450	Mating M	11.43 / .450	Mating M	11.43 / .450	Mating M	11.43 / .450																																																																																																															
		Gold Loc G	6.86/ .270	Gold Loc G	6.86/ .270	Gold Loc G	6.86/ .270	Gold Loc G	N/A																																																																																																															
		Height Y	5.41 / .213	Height Y	5.41 / .213	Height Y	5.41 / .213	Height Y	5.41 / .213																																																																																																															
		PC Tail P	3.96/ .156	PC Tail P	3.96/ .156	PC Tail P	3.96/ .156	PC Tail P	3.96/ .156																																																																																																															
		Tin Loc T	5.08/ .200	Tin Loc T	5.08/ .200	Tin Loc T	5.08/ .200	Tin Loc T	OVERALL																																																																																																															
		Voided Ckts	2, 3, 5, 6, 8, 9	Voided Ckts	7, 9, 11	Voided Ckts	2, 4, 6	Voided Ckts	2, 6, 11, 13																																																																																																															
		Pack Per	PK-41792-002	Pack Per	PK-41792-002	Pack Per	PK-41792-002	Pack Per	PK-41792-002																																																																																																															
Ckts	Material No	Engineer Number	Material No	Engineer Number	Material No	Engineer Number	Material No	Engineer Number																																																																																																																
2																																																																																																																								
3																																																																																																																								
4																																																																																																																								
5																																																																																																																								
6																																																																																																																								
7																																																																																																																								
8																																																																																																																								
9																																																																																																																								
10	41792-0667	A-41792-0667																																																																																																																						
11																																																																																																																								
12			41792-0677	A-41792-0677	41792-0690	A-41792-0690																																																																																																																		
13																																																																																																																								
14							41792-0698	A-41792-0698																																																																																																																
15																																																																																																																								
16																																																																																																																								
17																																																																																																																								
18																																																																																																																								
<table border="1"> <tr> <td rowspan="10">A</td> <td>SYMBOLS</td> <td colspan="8">THIS DRAWING CONTAINS INFORMATION THAT IS PROPRIETARY TO MOLEX ELECTRONIC TECHNOLOGIES, LLC AND SHOULD NOT BE USED WITHOUT WRITTEN PERMISSION</td> </tr> <tr> <td></td> <td>DIMENSION UNITS</td> <td colspan="2">SCALE</td> <td colspan="5">CURRENT REV DESC: BOTH SHEETS MERGED</td> </tr> <tr> <td></td> <td>mm/in</td> <td colspan="2"></td> <td colspan="5">EC NO: 608079</td> </tr> <tr> <td></td> <td colspan="8">GENERAL TOLERANCES (UNLESS SPECIFIED)</td> </tr> <tr> <td></td> <td></td> <td>MM</td> <td>INCH</td> <td colspan="5">DRWN: SS06 2018/10/30</td> </tr> <tr> <td></td> <td>4 PLACES</td> <td>±</td> <td></td> <td colspan="5">CHK'D: ISHWARG 2018/11/22</td> </tr> <tr> <td></td> <td>3 PLACES</td> <td>±</td> <td>0.01</td> <td colspan="5">APPR: ISHWARG 2018/11/22</td> </tr> <tr> <td></td> <td>2 PLACES</td> <td>±</td> <td>0.25 ± 0.015</td> <td colspan="5">INITIAL REVISION:</td> </tr> <tr> <td></td> <td>1 PLACE</td> <td>±</td> <td>0.38</td> <td colspan="5">DRWN: JSCHAFFER 11-07-03</td> </tr> <tr> <td></td> <td>0 PLACES</td> <td>±</td> <td></td> <td colspan="5">APPR: MARGULIS 11-17-03</td> </tr> <tr> <td></td> <td colspan="3">ANGULAR TOL ± 0.5°</td> <td>THIRD ANGLE PROJECTION</td> <td>DRAWING</td> <td>SERIES</td> <td>MATERIAL NUMBER</td> <td>CUSTOMER</td> <td>SHEET NUMBER</td> </tr> <tr> <td></td> <td colspan="3">DRAFT WHERE APPLICABLE MUST REMAIN WITHIN DIMENSIONS</td> <td></td> <td>B-SIZE</td> <td>41792</td> <td>SEE CHART</td> <td>GENERAL MARKET</td> <td>7 OF 8</td> </tr> </table>										A	SYMBOLS	THIS DRAWING CONTAINS INFORMATION THAT IS PROPRIETARY TO MOLEX ELECTRONIC TECHNOLOGIES, LLC AND SHOULD NOT BE USED WITHOUT WRITTEN PERMISSION									DIMENSION UNITS	SCALE		CURRENT REV DESC: BOTH SHEETS MERGED						mm/in			EC NO: 608079						GENERAL TOLERANCES (UNLESS SPECIFIED)										MM	INCH	DRWN: SS06 2018/10/30						4 PLACES	±		CHK'D: ISHWARG 2018/11/22						3 PLACES	±	0.01	APPR: ISHWARG 2018/11/22						2 PLACES	±	0.25 ± 0.015	INITIAL REVISION:						1 PLACE	±	0.38	DRWN: JSCHAFFER 11-07-03						0 PLACES	±		APPR: MARGULIS 11-17-03						ANGULAR TOL ± 0.5°			THIRD ANGLE PROJECTION	DRAWING	SERIES	MATERIAL NUMBER	CUSTOMER	SHEET NUMBER		DRAFT WHERE APPLICABLE MUST REMAIN WITHIN DIMENSIONS				B-SIZE	41792	SEE CHART	GENERAL MARKET	7 OF 8
A	SYMBOLS	THIS DRAWING CONTAINS INFORMATION THAT IS PROPRIETARY TO MOLEX ELECTRONIC TECHNOLOGIES, LLC AND SHOULD NOT BE USED WITHOUT WRITTEN PERMISSION																																																																																																																						
		DIMENSION UNITS	SCALE		CURRENT REV DESC: BOTH SHEETS MERGED																																																																																																																			
		mm/in			EC NO: 608079																																																																																																																			
		GENERAL TOLERANCES (UNLESS SPECIFIED)																																																																																																																						
			MM	INCH	DRWN: SS06 2018/10/30																																																																																																																			
		4 PLACES	±		CHK'D: ISHWARG 2018/11/22																																																																																																																			
		3 PLACES	±	0.01	APPR: ISHWARG 2018/11/22																																																																																																																			
		2 PLACES	±	0.25 ± 0.015	INITIAL REVISION:																																																																																																																			
		1 PLACE	±	0.38	DRWN: JSCHAFFER 11-07-03																																																																																																																			
		0 PLACES	±		APPR: MARGULIS 11-17-03																																																																																																																			
	ANGULAR TOL ± 0.5°			THIRD ANGLE PROJECTION	DRAWING	SERIES	MATERIAL NUMBER	CUSTOMER	SHEET NUMBER																																																																																																															
	DRAFT WHERE APPLICABLE MUST REMAIN WITHIN DIMENSIONS				B-SIZE	41792	SEE CHART	GENERAL MARKET	7 OF 8																																																																																																															
<table border="1"> <tr> <td>DOCUMENT STATUS</td> <td>P1</td> <td>RELEASE DATE</td> <td>2018/11/22</td> <td>16:59:40</td> <td colspan="5"></td> </tr> </table>										DOCUMENT STATUS	P1	RELEASE DATE	2018/11/22	16:59:40																																																																																																										
DOCUMENT STATUS	P1	RELEASE DATE	2018/11/22	16:59:40																																																																																																																				
10	9	8	7	6	5	4	3	2	1																																																																																																															

