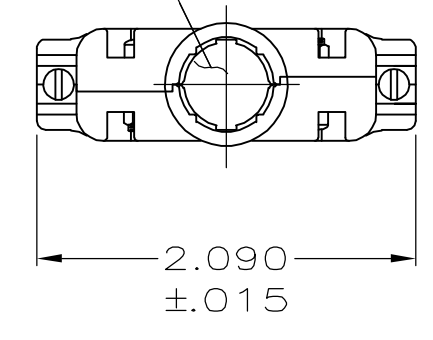


THIS DRAWING IS UNPUBLISHED. RELEASED FOR PUBLICATION  
 © COPYRIGHT BY TYCO ELECTRONICS CORPORATION. ALL RIGHTS RESERVED.

LOC	DIST	REVISIONS			
P	LTR	DESCRIPTION	DATE	DWN	APVD
GP	00	0	RELEASED PER EC OS13-0226-05	12AUG05	BM JG

OPENING FOR CABLE  
 (SEE DASH NO. FOR DIA.)



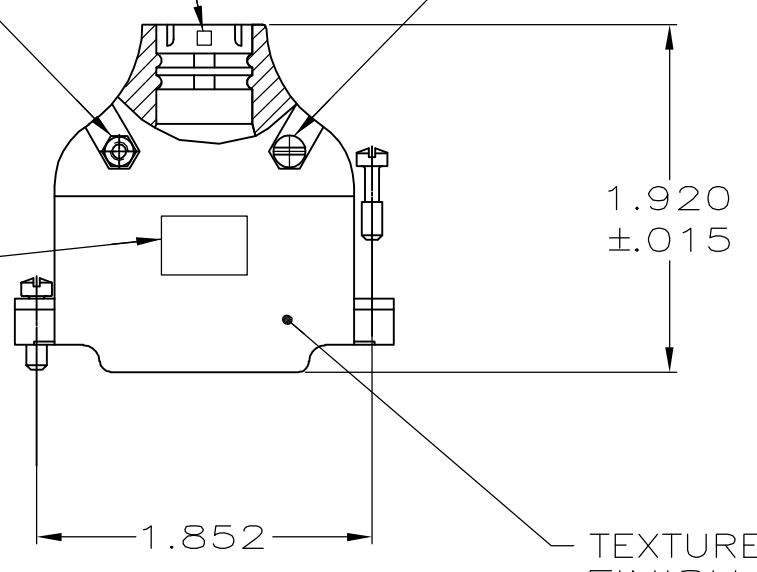
- PARTS PACKAGED UNASSEMBLED, AS A UNIT KIT.
- ZINC PLATED .000200-.000400 THICK, CLEAR CHROMATE COATING.

SIZE IDENTIFICATION LETTER  
 MOLDED IN APPROXIMATE AREA  
 SHOWN, SEE TABLE

#4-40 HEX NUT  
 (QTY. 2)  
 MATL: CARBON STEEL  
 FINISH:  $\triangle 2$

#4-40 FIL HD SCREW  
 (QTY. 2)  
 MATL: STEEL  
 FINISH:  $\triangle 2$

AMP LOGO



TEXTURED FINISH

CABLE CLAMP HALF  
 (QTY. 2)  
 MATL: ZINC ALLOY  
 FINISH: NICKEL OVER COPPER

.680  
 ±.015

#4-40 MOUNTING SCREW  
 (QTY. 2)  
 MATL: CARBON STEEL  
 FINISH:  $\triangle 2$

.620  
 ±.015

D	.280	5745173-5
G	.350	5745173-4
K	.430	5745173-3
M	.480	5745173-2
P	.530	5745173-1
NECK SIZE IDENT	MAX CABLE DIA	PART NUMBER

THIS DRAWING IS A CONTROLLED DOCUMENT.		DWN B. MCMASTER	12AUG05	Tyco Electronics Corporation Harrisburg, Pa 17105-3608
DIMENSIONS: mm		CHK C. ROHDE	12AUG05	
TOLERANCES UNLESS OTHERWISE SPECIFIED:		APVD M. WALMSLEY	12AUG05	NAME CABLE CLAMP KIT, SIZE 3, 180 DEGREE, AMPLIMITE
0 PLC ± - 1 PLC ± - 2 PLC ± - 3 PLC ± .005 4 PLC ± - .005 ANGLES ± ± -		PRODUCT SPEC	APPLICATION SPEC	SIZE A2
MATERIAL SEE CALLOUTS		FINISH SEE CALLOUTS	WEIGHT -	CAGE CODE 00779
		CUSTOMER DRAWING		DRAWING NO G-5745173
		SCALE 1:1		SHEET 1 OF 1
				REV 0