

5

4

3

2

1

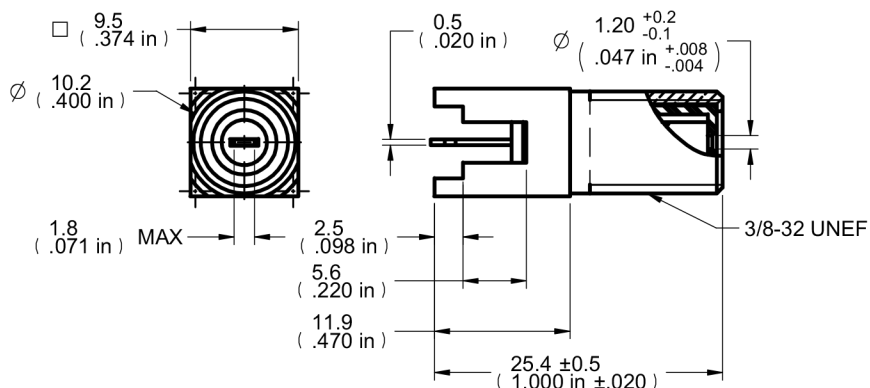
受控 CONTROLLED DOCUMENT

编号 P/N	25-7650-CUST	版本 Rev	01	日期 Rel'd Date	Apr29,09
-----------	--------------	-----------	----	------------------	----------

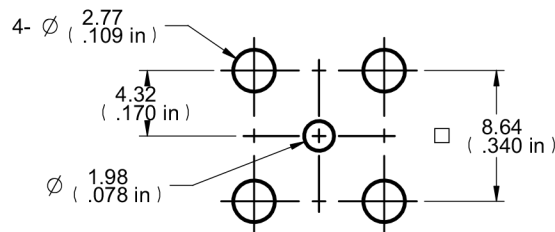
DRAWING NO. 25-7650-CUST						
REVISIONS						
01	OFFICIAL RELEASE					
	03-05-09	Y	U	Y	U	TH



Description: F-61 Vertical PCB Mount Female  
 Part No: 25-7650  
 Application: For PCB Mount  
 Crimp Tool: N/A  
 Impedance: 75 Ohms  
 Frequency Range: 0-750 MHz  
 Material: Body Brass Tin plated  
 Contact P Bronze Tin plated  
 Insulator PE  
 RoHS Compliance: Yes  
 Technical Detail: Refer to Emerson Document P/N 25-0000



**DIM OUTLINE**



**MOUNTING HOLE LAYOUT**

CUSTOMER COPY



TOLERANCE UNLESS OTHERWISE SPECIFIED		DRAWN BY	DATE
DECIMALS	mm	BETTY.YU	03-05-09
X	± 0.5	CHECKED BY	DATE
X.X	± 0.3	BETTY.YU	03-05-09
X.XX	± 0.1	APPROVED BY	DATE
ANGLES	± 0.5°	THOMAS	03-05-09
		U/M	mm

TITLE  
**F-61 VERTICAL PCB MOUNT FEMALE**

THIS DRAWING WAS PRODUCED BY COMPUTER,  
 DO NOT SCALE DRAWING OR UPDATE MANUALLY.

SHEET 1 OF 1	DRAWING NO. 25-7650-CUST	SIZE A
-----------------	-----------------------------	-----------

5

4

3

2

1