


Product information

0986 EMC 105

Industrial Connecting Solutions:I/O Modules:I/O Modules Activ - Stand Alone:Industrial Ethernet:Accessories:Industrial Ethernet Railway Connectors:0986 EMC 105

<http://dev-catalog.beldensolutions.com/link/57078-24228-255441-219791-247858-277551-277462-277506/en/conf/uistate>

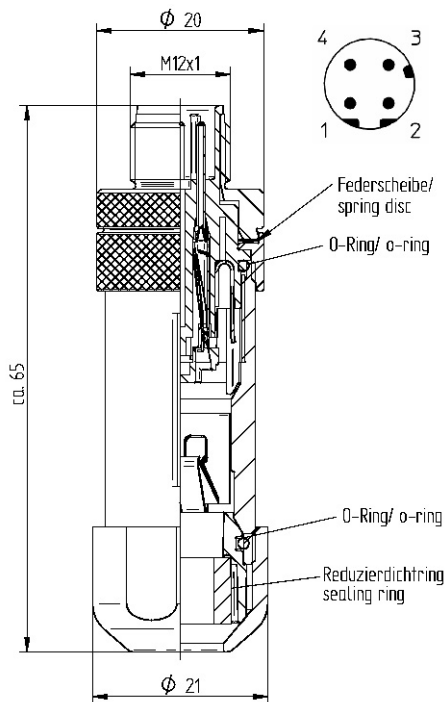
Name	0986 EMC 105
	
	Field attachable connector, M12 male connector with threaded joint, shieldable, assembling with spring-type terminals, 4 poles, D coding
Delivery informations	
Availability	available
Product description	
Type	0986 EMC 105
Order No.	109471
Description	Field attachable connector, M12 male connector with threaded joint, shieldable, assembling with spring-type terminals, 4 poles, D coding
Note	Cat 5 and Cat 5e transmission properties according to ISO IEC 11801 and TIA/EIA-568-B.2. The application of these products in harsh environments should always be checked before use.
Color of housing	silver
Number of contacts	4
Product characteristics	Oil resistance, EMC resistance
Classification	
Belden class	Industrial Ethernet Railway Connectors
Belden brand	Lumberg-Automation
Mechanical data	
Type of plug-in contact	Male connector
Thread	M12
Design of electrical connection	spring type terminal connection
Coding of the M12 round plug connector	D
Connectable conductor cross-section multiple wire (without sleeve)	0.14 - 0.50 mm ²
connectable conductor cross-section multiple wire (with sleeve)	0.14 mm ²
Environmental conditions	
Environmental temperature	-40 °C ... 90 °C
Degree of protection (IP), mounted	IP67
Pollution degree	3
Materials	
Housing material / Molded body	GD-ZnAl
Contact bearer material	PBT
Contact material	stainless steel
Contact material - Surface refinement	silver-plated and gold-plated
Knurled screw / nut material	CuZn, nickel-plated
Sealing material	EPDM
Shield sleeve material	Shield contacting spring: CuBe, tined
Approvals	
Approvals	EN 50155, IEC 61373, DIN CLC/TS 50467, DIN CEN/TS 45545, DIN 5510
RoHS 2002/95/EG compliant	yes
Electrical data	
Contact resistance	≤ 5 mΩ
Rated current I _n	4 A at 40°C
Nominal voltage	60 V
Rated voltage	250 V
Test voltage	1.5 kV eff./60 s

Insulation resistance

> 1 GΩ

Picture

Drawing



Belden Deutschland GmbH

Im Gewerbepark 2
58579 Schalksmühle
Germany
Phone: +49 7127/14-1806
E-Mail: icos-sales@belden.com

The information published in the websites has been compiled as carefully as possible. It is subject to alteration without notice in technical as well as in price-related/commercial respect. The complete information and data were available on user documentation. Mandatory information can only be obtained by a concrete query.