



TY SERIES

COMPACT 3-PHASE 4-WIRE FILTERS



COMPONENT

PART NO.	L(mH)	Cx(uF)	Cy(pF)
10TYG9	0.3	0.1	4700
* 20TYS9	0.15		22000

*UL approved 250 VAC.

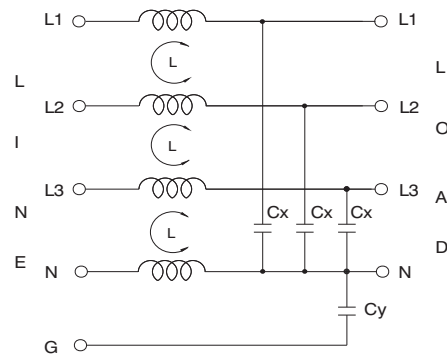
INTRODUCTIONS

1. Applications: Electric equipment, UPS, machine tool, copy machine, automation equipment, robot, AC motor drive
2. Voltage rating: 440VAC
3. Operating frequency: 50/60Hz

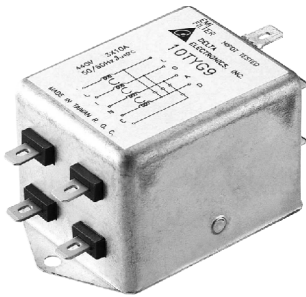
MINIMUM INSERTION LOSS IN dB

COMMONMODE(L-G)IN50OHMSYSTEM							
TYPE	CURRENT RATING	FREQUENCY_MHz					
		.15	.50	1.0	5.0	10	30
10TYG9	10A	10	20	20	20	30	25
20TYS9	20A	10	15	20	35	40	25
DIFFERENTIALMODE(L-L)IN50OHMSYSTEM							
10TYG9	10A	10	20	25	25	30	30
20TYS9	20A	10	15	20	20	25	20

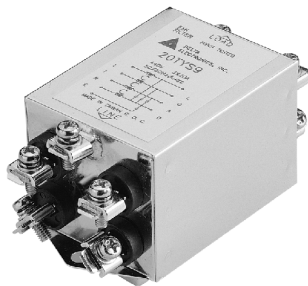
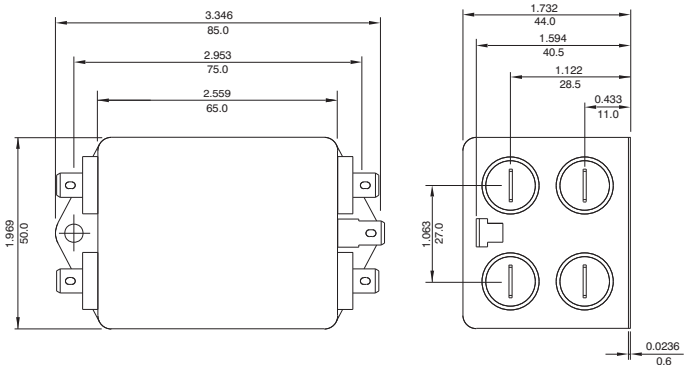
ELECTRICAL SCHEMATIC



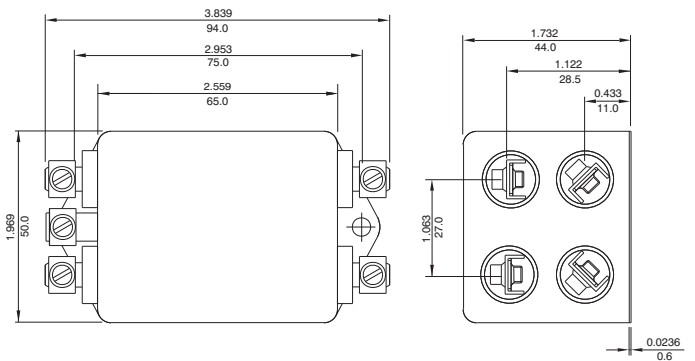
MECHANICAL CONSTRUCTION



10TYG9



20TYS9



UNIT: INCH
mm

Mouser Electronics

Authorized Distributor

Click to View Pricing, Inventory, Delivery & Lifecycle Information:

[Delta Electronics:](#)

[10TYG9](#) [20TYS9](#)