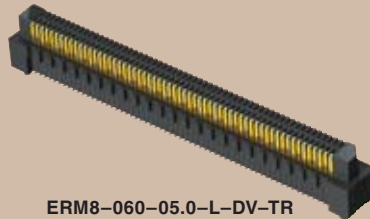




(0,80mm) .0315"

ERM8 SERIES

ERM8-013-05.0-S-DV-DS-L-TR



ERM8-060-05.0-L-DV-TR



ERM8-030-02.0-S-DV-TR

RUGGED HIGH SPEED HEADER

SPECIFICATIONS

For complete specifications and recommended PCB layouts see www.samtec.com?ERM8

Insulator Material: Black LCP
Terminal Material: Phosphor Bronze Plating:
 Au or Sn over 50µ" (1,27µm) Ni
Current Rating: 1.4A @ 95°C
 (6 adjacent pins powered)
Operating Temp Range: -55°C to +125°C
Voltage Rating: 200 VAC max
RoHS Compliant: Yes



Board Mates: ERF8

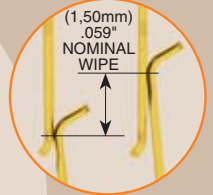
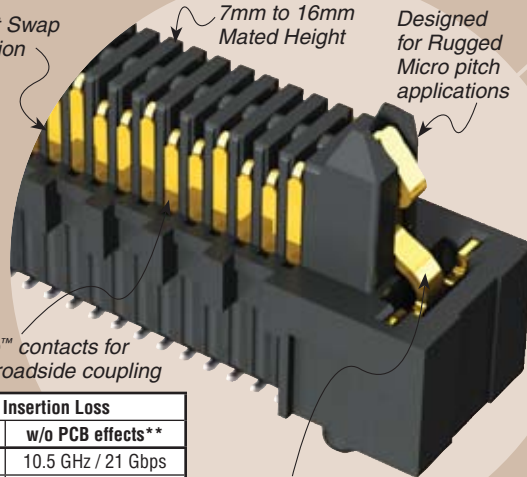
Cable Mates: ERCD, ERDP



Hot Swap option

7mm to 16mm Mated Height

Designed for Rugged Micro pitch applications



Edge Rate™ contacts for reduced broadside coupling

Extended Guide Post (-EGP) option for blind mate and docking applications available

Processing:

Lead-Free Solderable: Yes
SMT Lead Coplanarity: (0,10mm) .004" max (005-030)
 (0,12mm) .005" max (040-060)
 (0,15mm) .006" max (070-075)

ERM8/ERF8 7mm Stack Height	Rated @ 3dB Insertion Loss	
	with PCB effects*	w/o PCB effects**
Single-Ended Signaling	10.5 GHz / 21 Gbps	10.5 GHz / 21 Gbps
Differential Pair Signaling	9.5 GHz / 19 Gbps	11 GHz / 22 Gbps

*Performance data includes effects of a non-optimized PCB.
 **Test board losses de-embedded from performance data.
 Performance data for other stack heights and complete test data available at www.samtec.com?ERM8 or contact sig@samtec.com

ERM8 LEAD STYLE	MATED HEIGHT*	
	ERF8 LEAD STYLE -05.0	-07.0
-02.0	(7,00) .276	(9,00) .354
-05.0	(10,00) .394	(12,00) .472
-08.0	(13,00) .512	(15,00) .591
-09.0	(14,00) .551	(16,00) .629

*Processing conditions will affect mated height.

Protocols Supported
 PCI Express®
 Download app notes at www.samtec.com/appnote
 Contact SIG @ samtec.com for questions on protocols

ERM8	NO. OF POSITIONS PER ROW	LEAD STYLE	PLATING OPTION	DV	OTHER OPTION	TR
------	--------------------------	------------	----------------	----	--------------	----

-005, -010, -013, -020, -025, -030, -040, -049, -050, -060, -070, -075

Specify LEAD STYLE from chart

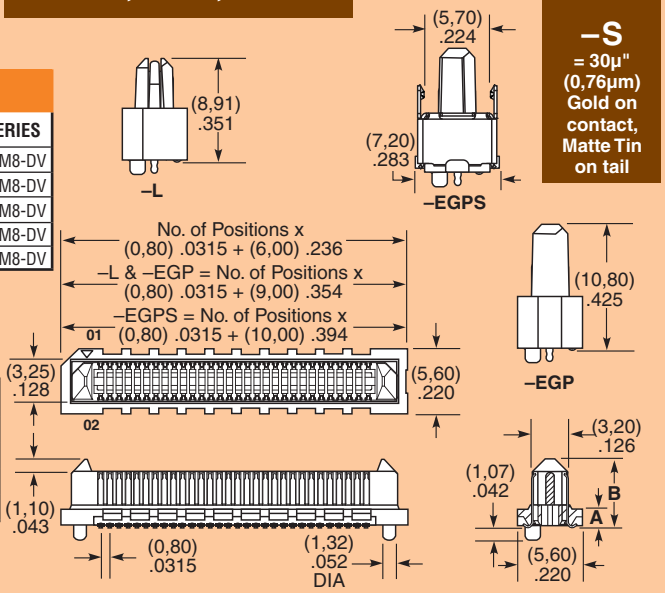
-L = 10µ" (0,25µm) Gold on contact, Matte Tin on tail
 -S = 30µ" (0,76µm) Gold on contact, Matte Tin on tail

-DS = Differential Pair (Lead Style -05.0 only) (-013, -025 positions only) (Hot swap)
 -L = Latching (Lead Style -05.0 only) (N/A with -EGP & -EGPS option)
 -EGP = Extended Guide Post (Lead Style -05.0 only) (N/A with -L & -EGPS option)

-TR = Tape & Reel Packaging

APPLICATIONS

STANDARD	POS.	PART NOS.	SERIES
NEXUS5001™.org	11	ASP-137968-01	ERM8-DV
POWER.org™	17	ASP-137972-01	ERM8-DV
ARM/HSSTP	20	ASP-130365-01	ERM8-DV
NEXUS5001™.org	23	ASP-130366-01	ERM8-DV
POWER.org™	35	ASP-135020-01	ERM8-DV



Note: Some lengths, styles and options are non-standard, non-returnable.

Due to technical progress, all designs, specifications and components are subject to change without notice.

WWW.SAMTEC.COM