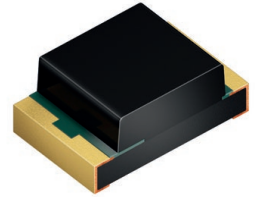


SFH 5701 A01

Chip LED

Ambient Light Sensor



Applications

- Ambient Light Sensors
- Gesture Recognition
- Industrial Automation (Machine Controls, Light Barriers, Vision Controls)
- Remote Control, Proximity, Ambient Light Sensing
- Smart Home, Metering

Features:

- Qualifications: The product qualification test plan is based on the guidelines of AEC-Q101-REV-C, Stress Test Qualification for Automotive Grade Discrete Semiconductors.
- ESD: 2 kV acc. to ANSI/ESDA/JEDEC JS-001 (HBM)
- Spectral sensitivity adapted to human eye sensitivity (V_λ)
- Analog output current is proportional to Ambient Light Intensity
- Integrated dark current suppression
- Built in thermal compensation
- Linear response over 6 decades of illumination range

Ordering Information

Type	Output current ¹⁾ typ. $E_v = 100 \text{ lx; (white LED);}$ $V_{DD} = 5 \text{ V ; } T_A = 25 \text{ }^\circ\text{C}$ I_{OUT}	Ordering Code
SFH 5701 A01	135 μA	Q65112A5751

Maximum Ratings

Parameter	Symbol		Values
Operating temperature	T_{op}	min.	-40 °C
		max.	100 °C
Storage temperature	T_{stg}	min.	-40 °C
		max.	100 °C
Forward voltage for definition of current polarity refer to Appnote AN132	V_F	max.	0.56 V
Forward current for definition of current polarity refer to Appnote AN132	I_F	max.	0.5 mA
Supply current for definition of current polarity refer to Appnote AN132	I_{DD}	max.	15 mA
Supply voltage for definition of current polarity refer to Appnote AN132	V_{DD}	max.	6 V
ESD withstand voltage acc. to ANSI/ESDA/JEDEC JS-001 (HBM)	V_{ESD}	max.	2 kV
ESD withstand voltage acc. to JEDEC JESD22-C101 (CDM)	V_{ESD}	max.	750 V
ESD withstand voltage acc. to JEDEC JESD22-A115 (MM)	V_{ESD}	max.	400 V

Operating Conditions

Parameter	Symbol	Values	
Illuminance	E_V	min. max.	0.01 lx 10000 lx
Supply current $V_{DD} = 5\text{ V}$, for the choice of R_{LOAD} refer to Appnote AN132	I_{DD}	min. max.	0.01 μA 10000 μA
Supply voltage for the choice of R_{LOAD} refer to Appnote AN132	V_{DD}	min. max.	1.45 V 5.5 V

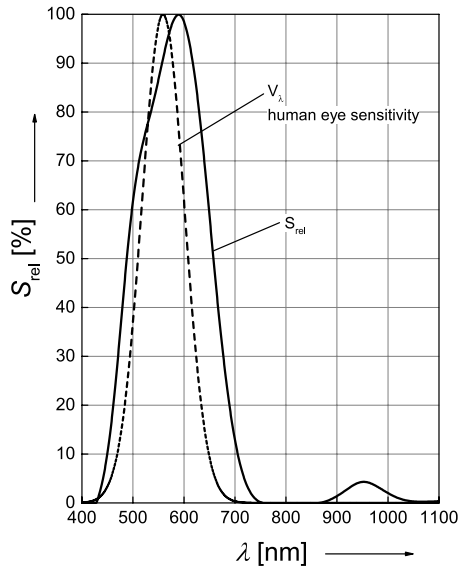
Characteristics

$T_A = 25\text{ °C}$

Parameter	Symbol		Values
Spectral sensitivity $E_v = 100\text{ lx}$; white LED; $V_{DD} = 5\text{ V}$	S	typ.	1000 nA/lx
Wavelength of maximum sensitivity	$\lambda_{S\text{ max}}$	typ.	600 nm
Spectral range of sensitivity	$\lambda_{10\%}$	typ.	450 ... 705 nm
Dimensions of active chip area	L x W	typ.	0.33 x 0.33 mm x mm
Half angle	φ	typ.	60 °
Output dark current $E_v = 0\text{ lx}$; $V_{DD} = 5\text{ V}$	I_{OUT_dark}	max. typ.	50 nA 3.4 nA
Supply current $E_v = 100\text{ lx}$; white LED; $V_{DD} = 5\text{ V}$	I_{DD}	typ.	135 μ A
Rise time $R_L = 33\text{ k}\Omega$; $E_v = 100\text{ lx}$; for different testing conditions refer to the Appnote AN132	t_r	typ.	14000 μ s
Forward voltage $I_F = 0.2\text{ mA}$; $E = 0$	V_F	typ.	0.52 V
Output impedance	Z_{OUT}	typ.	10 M Ω
Temperature coefficient of operating current	$TC_{I_{out}}$	typ.	-0.07 % / K

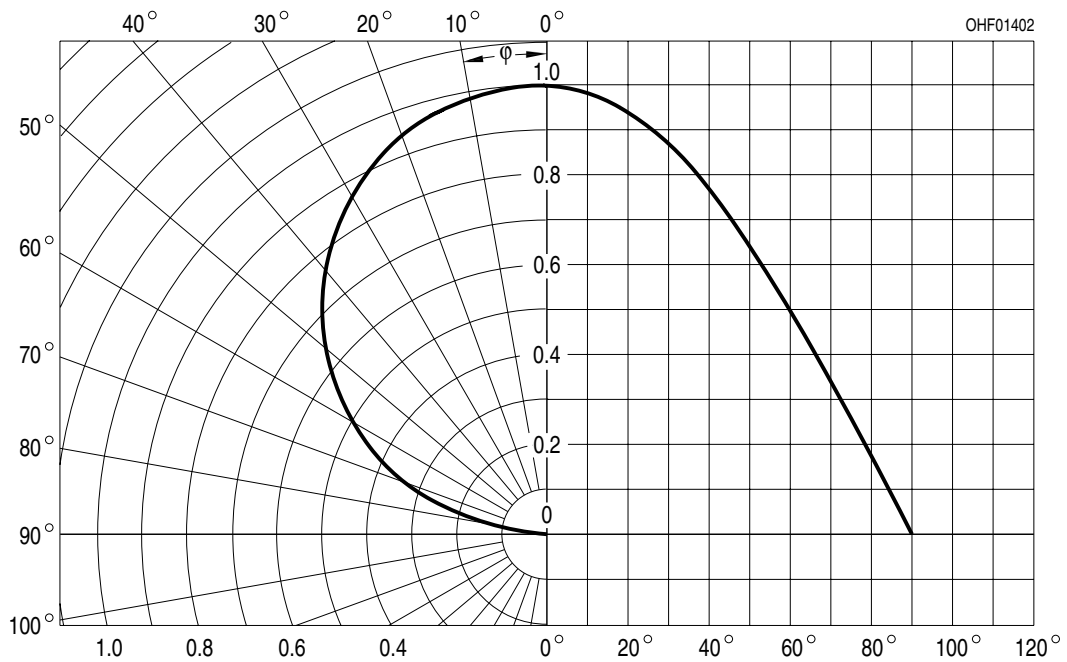
Relative Spectral Sensitivity 1), 2)

$S_{rel} = f(\lambda)$



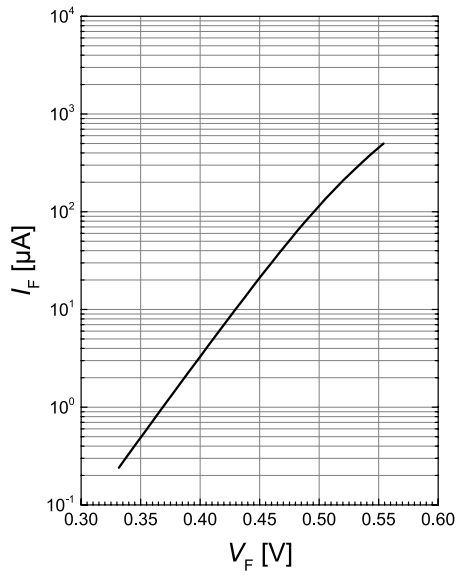
Directional Characteristics 1), 2)

$S_{rel} = f(\varphi)$



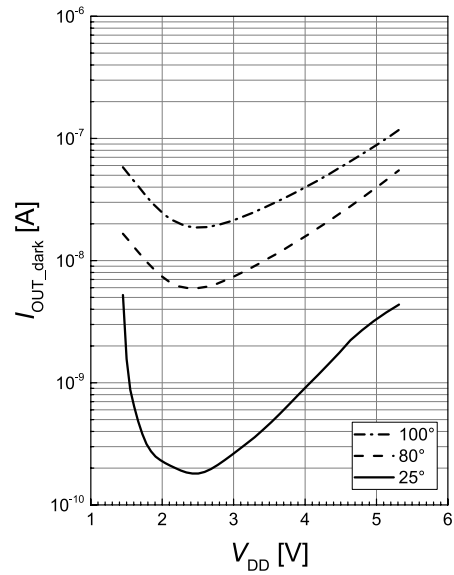
Forward current 1), 2)

$$I_F = f(V_F); E = 0$$



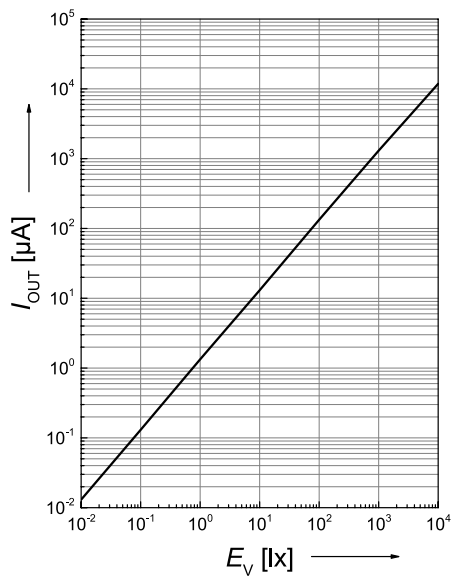
Dark Current 1), 2)

$$I_{OUT_dark} = f(V_{DD}); E = 0$$



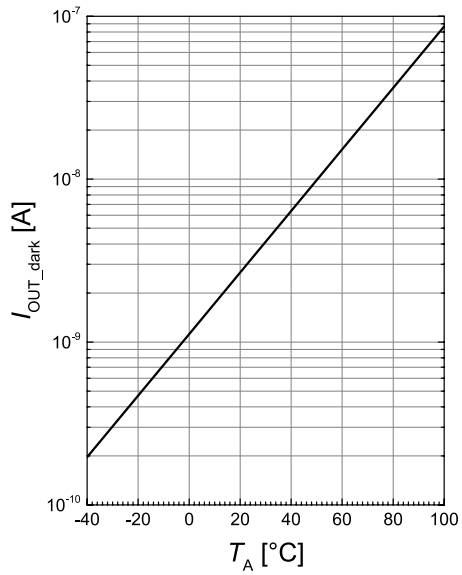
Output Current 1), 2)

$$I_{OUT} = f(E_V); \text{white LED}; V_{DD} = 5 \text{ V}$$



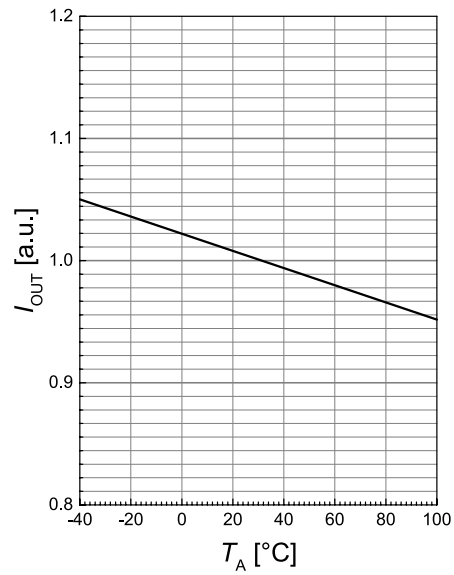
Dark Current ¹⁾

$$I_{\text{OUT_dark}} = f(T_A); V_{\text{DD}} = 5 \text{ V}; E = 0$$

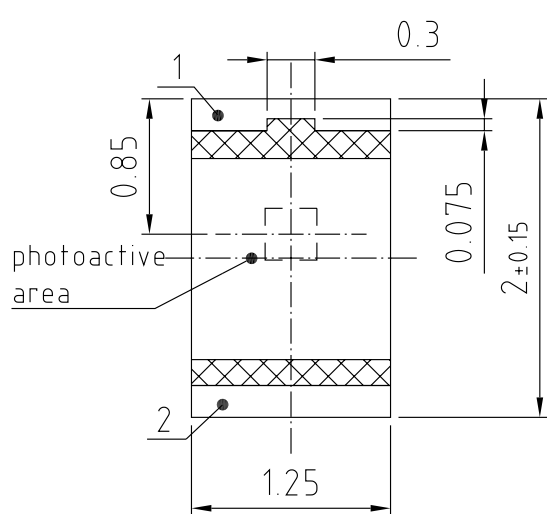


Output Current ^{1), 2)}

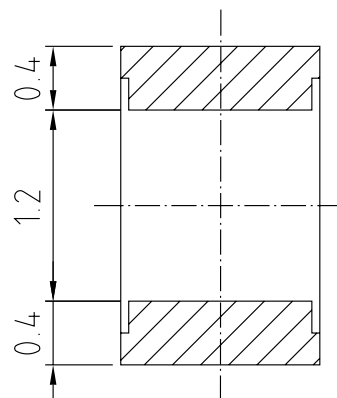
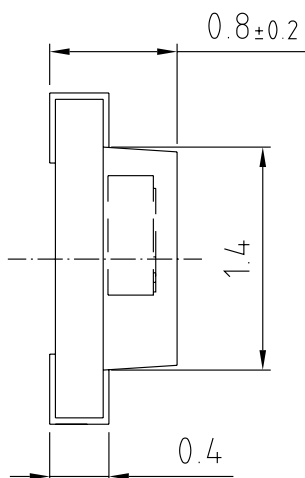
$$I_{\text{OUT_rel}} = f(T_A); V_{\text{DD}} = 5 \text{ V}; E_V = 100 \text{ lx}; \text{ white LED}$$



Dimensional Drawing ³⁾



general tolerance ± 0.1
lead finish Au



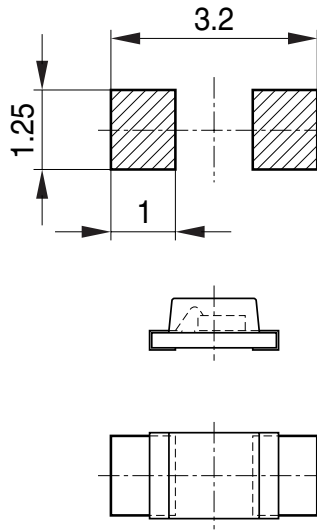
C67062-A0260-A1KA-03

Further Information:

Approximate Weight: 3.8 mg

Pin	Description
1	anode (OUT)
2	cathode (VDD)

Recommended Solder Pad ³⁾

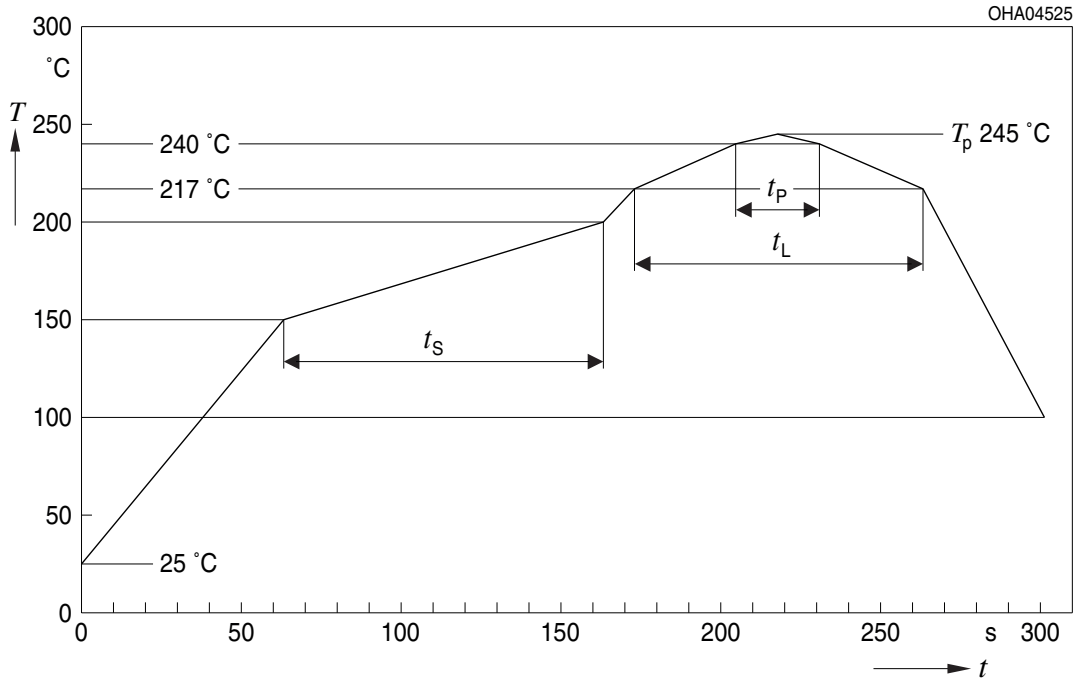


Bauteil positioniert
Component location on pad

OHFP2578

Reflow Soldering Profile

Product complies to MSL Level 3 acc. to JEDEC J-STD-020E

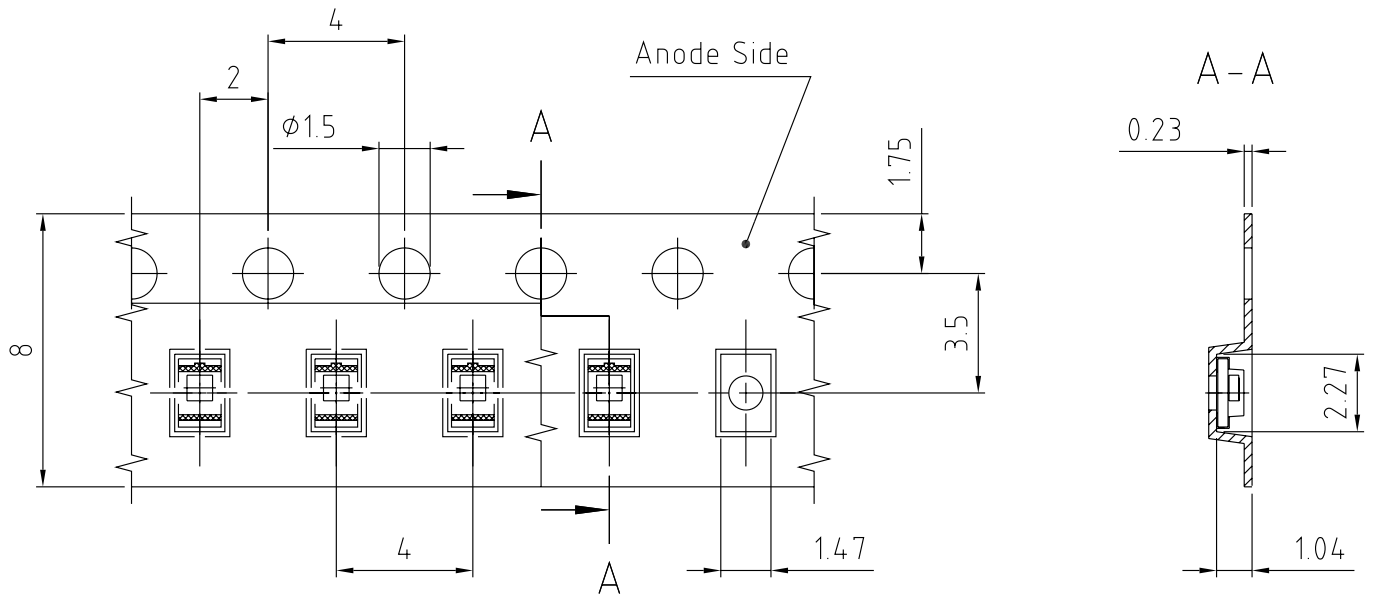


Profile Feature	Symbol	Pb-Free (SnAgCu) Assembly			Unit
		Minimum	Recommendation	Maximum	
Ramp-up rate to preheat ^{*)} 25 °C to 150 °C			2	3	K/s
Time t_s T_{Smin} to T_{Smax}	t_s	60	100	120	s
Ramp-up rate to peak ^{*)} T_{Smax} to T_p			2	3	K/s
Liquidus temperature	T_L		217		°C
Time above liquidus temperature	t_L		80	100	s
Peak temperature	T_p		245	260	°C
Time within 5 °C of the specified peak temperature $T_p - 5$ K	t_p	10	20	30	s
Ramp-down rate* T_p to 100 °C			3	6	K/s
Time 25 °C to T_p				480	s

All temperatures refer to the center of the package, measured on the top of the component

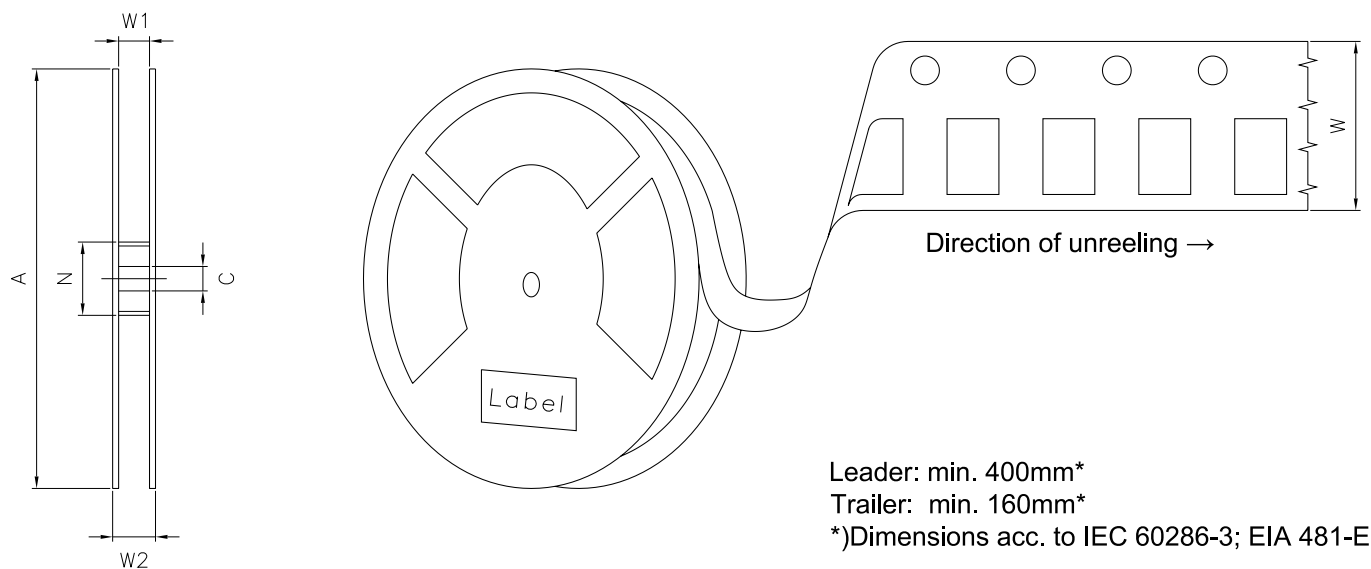
* slope calculation DT/Dt : Dt max. 5 s; fulfillment for the whole T-range

Taping ³⁾



C67062-A0260-B1-04

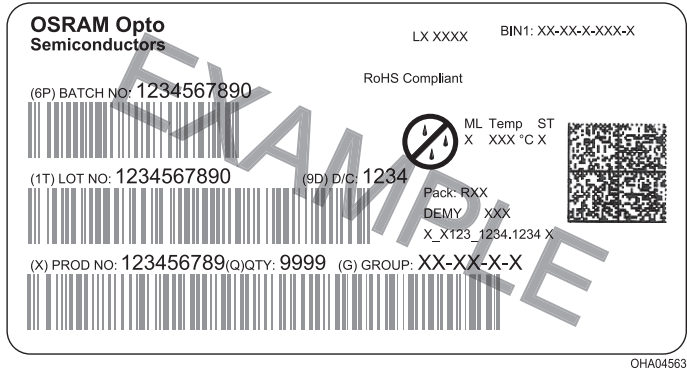
Tape and Reel ⁴⁾



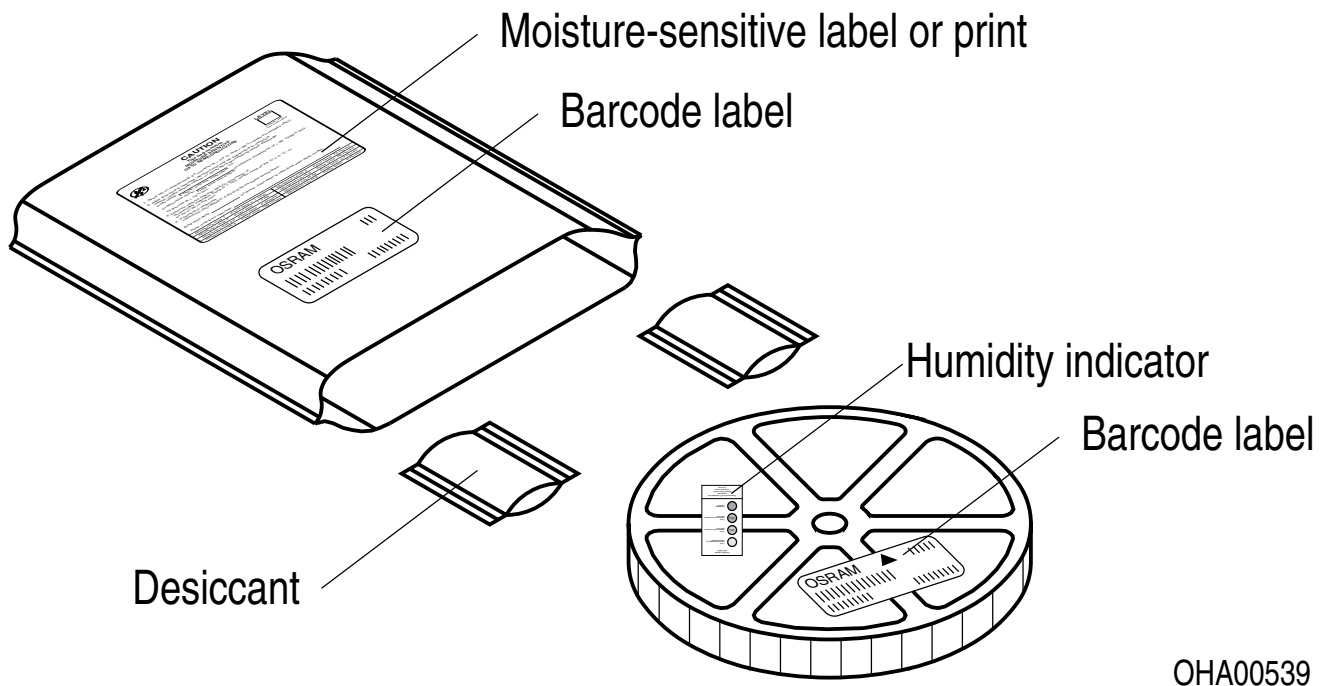
Reel Dimensions

A	W	N_{\min}	W_1	$W_{2\max}$	Pieces per PU
180 mm	$8 + 0.3 / - 0.1$ mm	60 mm	$8.4 + 2$ mm	14.4 mm	3000

Barcode-Product-Label (BPL)



Dry Packing Process and Materials



Disclaimer

Attention please!

The information describes the type of component and shall not be considered as assured characteristics. Terms of delivery and rights to change design reserved. Due to technical requirements components may contain dangerous substances.

For information on the types in question please contact our Sales Organization.

If printed or downloaded, please find the latest version on the OSRAM OS website.

Packing

Please use the recycling operators known to you. We can also help you – get in touch with your nearest sales office. By agreement we will take packing material back, if it is sorted. You must bear the costs of transport. For packing material that is returned to us unsorted or which we are not obliged to accept, we shall have to invoice you for any costs incurred.

Product and functional safety devices/applications or medical devices/applications

OSRAM OS components are not developed, constructed or tested for the application as safety relevant component or for the application in medical devices.

OSRAM OS products are not qualified at module and system level for such application.

In case buyer – or customer supplied by buyer – considers using OSRAM OS components in product safety devices/applications or medical devices/applications, buyer and/or customer has to inform the local sales partner of OSRAM OS immediately and OSRAM OS and buyer and /or customer will analyze and coordinate the customer-specific request between OSRAM OS and buyer and/or customer.

Glossary

- 1) **Typical Values:** Due to the special conditions of the manufacturing processes of semiconductor devices, the typical data or calculated correlations of technical parameters can only reflect statistical figures. These do not necessarily correspond to the actual parameters of each single product, which could differ from the typical data and calculated correlations or the typical characteristic line. If requested, e.g. because of technical improvements, these typ. data will be changed without any further notice.
- 2) **Testing temperature:** TA = 25°C (unless otherwise specified)
- 3) **Tolerance of Measure:** Unless otherwise noted in drawing, tolerances are specified with ± 0.1 and dimensions are specified in mm.
- 4) **Tape and Reel:** All dimensions and tolerances are specified acc. IEC 60286-3 and specified in mm.

Revision History

Version	Date	Change
1.0	2019-01-23	Initial Version
1.1	2019-01-28	Features
1.2	2020-08-13	New Layout Taping Schematic Transportation Box Dimensions of Transportation Box
1.3	2020-09-08	Ordering Information
1.4	2021-09-30	Brand

Published by OSRAM Opto Semiconductors GmbH EU RoHS and China RoHS compliant product
Leibnizstraße 4, D-93055 Regensburg
www.osram-os.com © All Rights Reserved.



此产品符合欧盟 RoHS 指令的要求；
按照中国的相关法规和标准，不含有毒有害物质或元素。