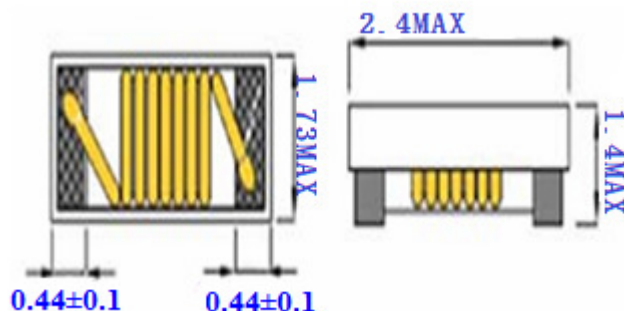
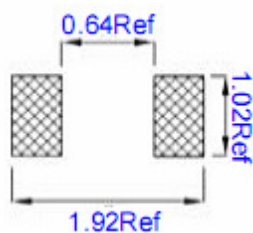


SHAPE & DIMENSION (UNIT:mm)

PAD LAYOUT(MM):

ELECTRICAL SPECIFICATION

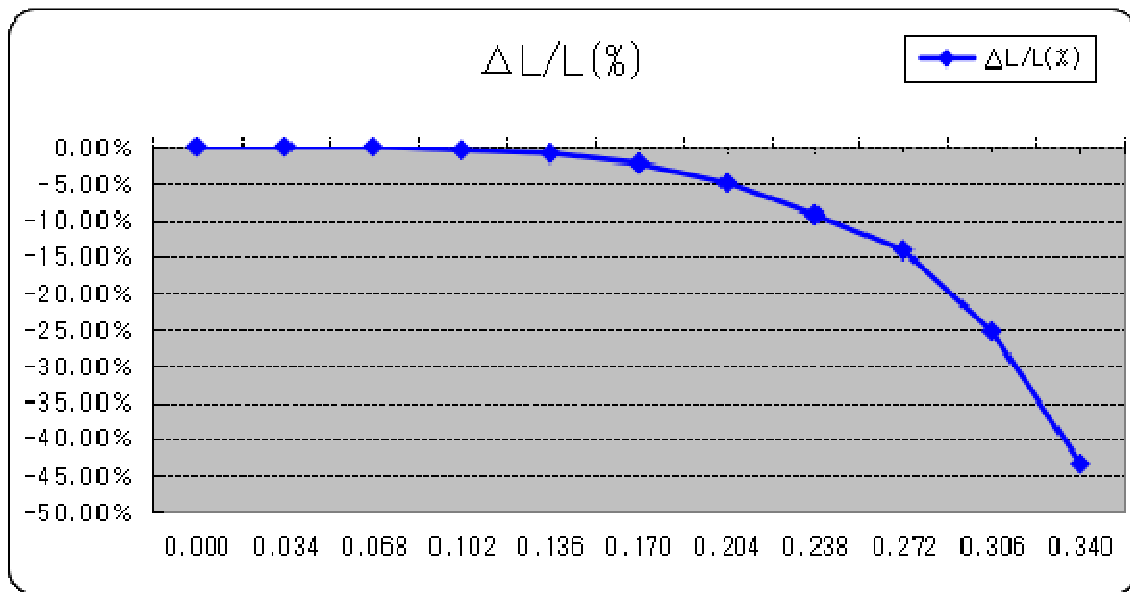
MEAS. ITEM	SPEC.				TEST FREQ.	CONDITIONS
L	22	μH	\pm	10%	2.5MHz/0.1V	$T_a=25^\circ\text{C}$, $I_{dc}=0\text{A}$
DCR	1.76	Ω	\pm	30%		$T_a=25^\circ\text{C}$
Isat	0.24A MAX(0.3A TYP)				2.5MHz/0.1V	$\Delta L/L \leq 30\%$
Irms	0.34A MAX(0.45A TYP)				2.5MHz/0.1V	$\Delta T \leq 40^\circ\text{C}$

GENERAL SPECIFICATION

Electrical specifications :	at 25°C
Operation Temperature:	-40~+125°C
Storage Temperature:	-40~+125°C
(1)WIRE TYPE: $\phi 0.05\text{mm}$	
(2)WINDING: 61.5Ts(Ref.)	

Isat(飽和電流):電感瞬間的突波電流

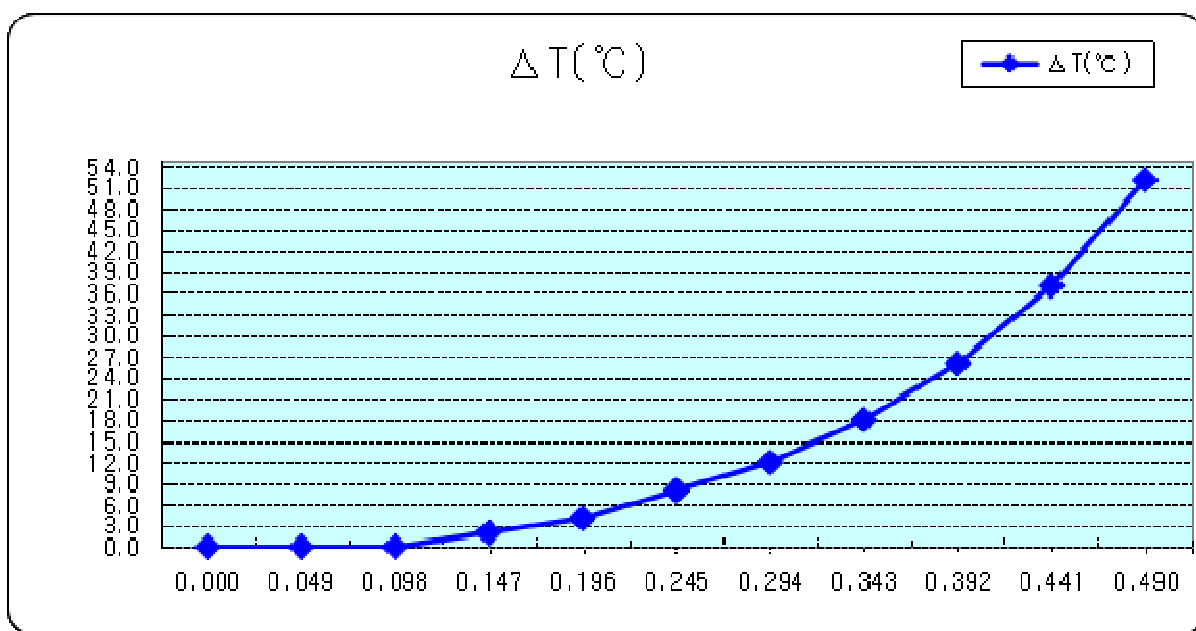
TME(秒)	Lsat(A)	L(UH)	$\Delta L/L(\%)$
1	0.000	22.60	0.00%
1	0.034	22.60	0.00%
1	0.068	22.60	0.00%
1	0.102	22.50	-0.44%
1	0.136	22.40	-0.88%
1	0.170	22.10	-2.21%
1	0.204	21.50	-4.87%
1	0.238	20.50	-9.29%
1	0.272	19.40	-14.16%
1	0.306	16.90	-25.22%
1	0.340	12.80	-43.36%



單點溫昇

TIME(S)	Irms(A)	L(uH)	$\Delta L/L(\%)$	Temp($^{\circ}\text{C}$)	$\Delta T(^{\circ}\text{C})$
30	0.000	22.80	0.00%	31.0	0.0
30	0.049	22.60	-0.88%	31.0	0.0
30	0.098	22.30	-2.19%	31.0	0.0
30	0.147	21.90	-3.95%	33.0	2.0
30	0.196	21.50	-5.70%	35.0	4.0
30	0.245	19.80	-13.16%	39.0	8.0
30	0.294	15.70	-31.14%	43.0	12.0
30	0.343	9.05	-60.31%	49.0	18.0
30	0.392	4.96	-78.25%	57.0	26.0
30	0.441	3.54	-84.47%	68.0	37.0
30	0.490	3.13	-86.27%	83.0	52.0

※DC bias current characteristics in the ambient temperature 25 $^{\circ}\text{C}$ Frequency 2.5MHz/0.1V



TEST DATA FOR PREPRODUCTION SAMPLE

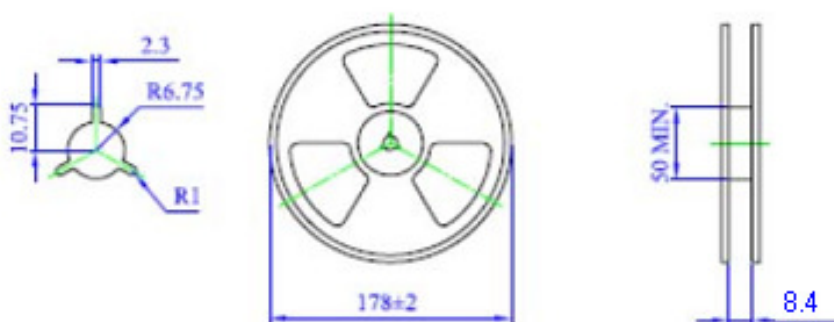
TEST RESOLUTION					DIMENSION (Unit: mm)		
MEAS.	L	D.C.R			长	宽	高
ITEM	μH	Ω			mm	mm	mm
SPEC.	22	1.76			Max.2.4	Max.1.73	1.3±0.1
	±	±					
	10%	30%					
TEST FREQ.	2.5MHz/0.1V		Isat 0.24A	ΔL/L ≤ 30%			
1	22.6	1.98	20.5	-9.3%	2.22	1.63	1.28
2	23.2	1.98	21.2	-8.6%	2.23	1.69	1.29
3	22.9	1.98	20.5	-10.5%	2.27	1.68	1.31
4	22.8	1.97	20.3	-11.0%	2.24	1.64	1.29
5	23.3	1.98	21.5	-7.7%	2.28	1.62	1.24
6	22.8	1.98	21.0	-7.9%			
7	22.7	2.00	20.5	-9.7%			
8	22.6	1.99	20.3	-10.2%			
9	21.8	1.98	20.0	-8.3%			
10	22.0	2.00	20.3	-7.7%			
AVG.	22.670	2.0	20.610	-9.08%			
R	1.5	0.03	1.60	-4.20%			

PACKAGING

热封包装

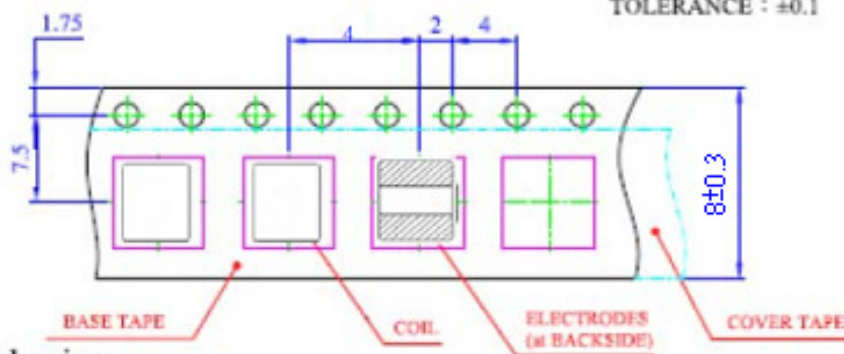
Reel dimensions

UNIT : mm



Tape dimensions

UNIT : mm
TOLERANCE : ±0.1



Packaging

Quantity : 2000 pcs/reel