

| | |
|---------------------|---|
| Product description | Contacts: 4, female panel mount connector, lightgrey, solder |
| Area | Snap-in IP67, subminiature Series 620 MED |
| Order number | 99 9212 400 04 |

| Illustration | Scale drawing | Contact arrangement | | | | | | | | | | | | | | | |
|--------------|---------------|---|--|---|---|---|------|-------|---|------|------|---|-------|------|---|-------|-------|
| | | <table border="1" style="margin-left: 20px;"> <thead> <tr> <th></th> <th>X</th> <th>Y</th> </tr> </thead> <tbody> <tr> <td>1</td> <td>1,55</td> <td>-1,55</td> </tr> <tr> <td>2</td> <td>1,55</td> <td>1,55</td> </tr> <tr> <td>3</td> <td>-1,55</td> <td>1,55</td> </tr> <tr> <td>4</td> <td>-1,55</td> <td>-1,55</td> </tr> </tbody> </table> | | X | Y | 1 | 1,55 | -1,55 | 2 | 1,55 | 1,55 | 3 | -1,55 | 1,55 | 4 | -1,55 | -1,55 |
| | X | Y | | | | | | | | | | | | | | | |
| 1 | 1,55 | -1,55 | | | | | | | | | | | | | | | |
| 2 | 1,55 | 1,55 | | | | | | | | | | | | | | | |
| 3 | -1,55 | 1,55 | | | | | | | | | | | | | | | |
| 4 | -1,55 | -1,55 | | | | | | | | | | | | | | | |

You can find the assembly instructions on the next page.

Technical data

General values

| | |
|--------------------------|------------------------------|
| Connector design | female panel mount connector |
| Connector locking system | snap |
| Termination | solder |
| Wire gauge (mm) | 0,25 mm ² |
| Wire gauge (AWG) | 24 |
| Upper limit temperature | 85 °C |
| Lower limit temperature | -25 °C |

Electrical values

| | |
|---------------------------|---------------------------|
| Rated current (40 °C) | 2,5 A |
| Rated voltage | 125 V |
| Rated impulse voltage | 1500 V |
| Pollution degree | 2 |
| Overvoltage category | II |
| Insulating material group | II |
| Volume resistivity | ≤ 3 mΩ |
| Insulation resistance | ≥ 10 ¹⁰ Ω |
| EMC compliance | Shielding is not possible |
| Degree of protection | IP67 |

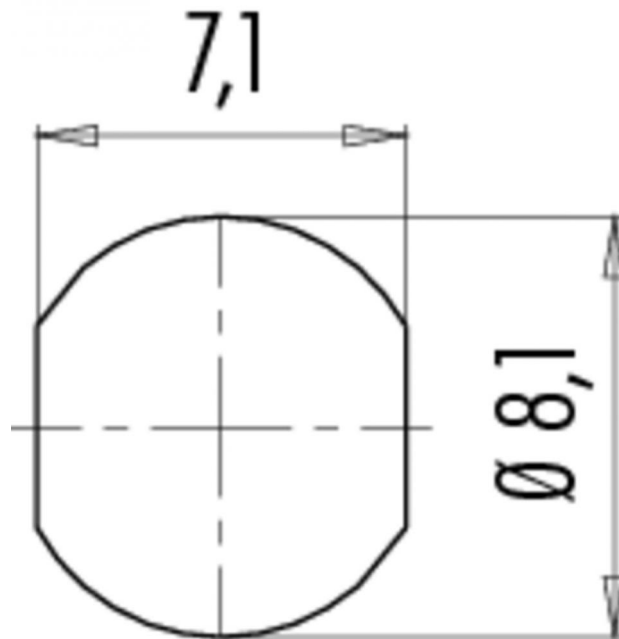
Material

| | |
|-----------------------|----------------|
| Contact material | CuZn (brass) |
| Contact plating | Au (gold) |
| Contact body material | PA (UL 94 V-0) |
| Housing material | PA |

Product description **Contacts: 4, female panel mount connector, lightgrey, solder**

Area **Snap-in IP67, subminiature Series 620 MED**
Order number **99 9212 400 04**

Assembly instructions / Panel cut-out



Product description **Contacts: 4, female panel mount connector, lightgrey, solder**

Area **Snap-in IP67, subminiature Series 620 MED**
Order number **99 9212 400 04**

Security notices

The connector must not be connected or separated under load. Non-observance and incorrect use can result in personal injury.

The connectors are designed for use in plant, control system and electrical equipment. The end user is responsible for checking whether the connectors are suitable for use in other applications.

To prevent the connector being opened unintentionally when used in electrical circuits containing hazardous life parts, the thread between the housing and the connector head must be secured using a suitable cyanoacrylate adhesive. This does not apply to connectors used in SELV and PELV circuits according to IEC 61140 (EN 61140, VDE 0140-1).

Connectors with degree of protection IP 67 and IP 68 are not suitable for use under water. When used outdoors, the connectors must be separately protected against corrosion. For further information about IP degrees of protection refer to 'Technical support' in the Download Centre.