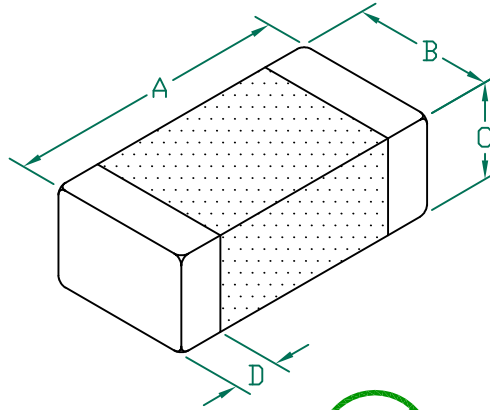


# HI1206N101R-10

**UNCONTROLLED DOCUMENT**

PHYSICAL DIMENSIONS:

A	3.20 [.126]	+ 0.20 [.008]
B	1.60 [.063]	+ 0.20 [.008]
C	1.10 [.043]	+ 0.20 [.008]
D	0.51 [.020]	+ 0.25 [.010]

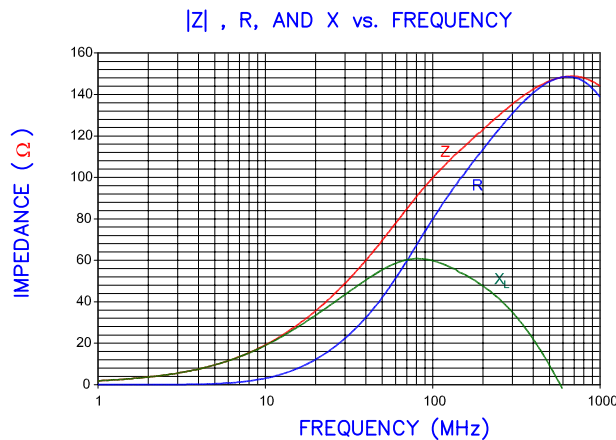
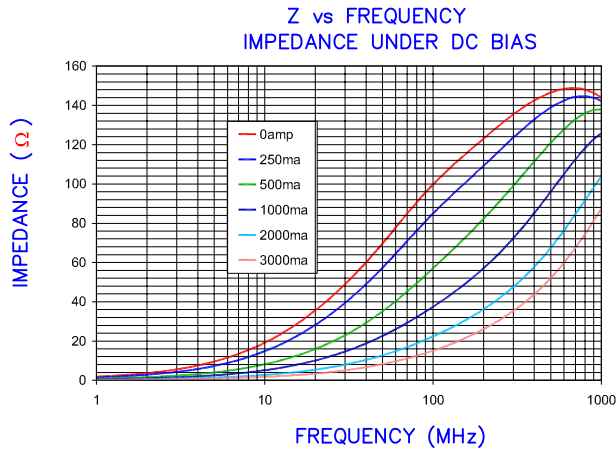


ELECTRICAL CHARACTERISTICS:

Z @ 100MHz ( $\Omega$ )		DCR ( $\Omega$ )	Rated Current
Nominal	100		
Minimum	75		
Maximum	125	0.035	3000 mA

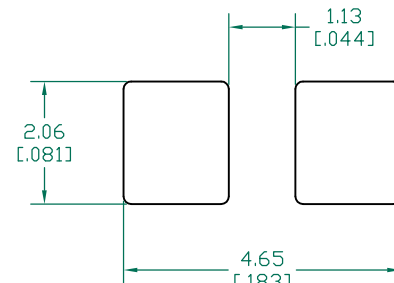
NOTES: UNLESS OTHERWISE SPECIFIED

1. TAPED AND REELED per CURRENT EIA SPECIFICATIONS 7" REELS, 3,000 PCS/REEL, EMBOSSED PLASTIC TAPE.
2. TERMINATION FINISH IS 100% TIN.
3. COMPONENTS SHOULD BE ADEQUATELY PREHEATED BEFORE SOLDERING.
4. OPERATEING TEMPERATURE TEMP: -40°C~+125°C (INCLUDING SELF-HEATING)



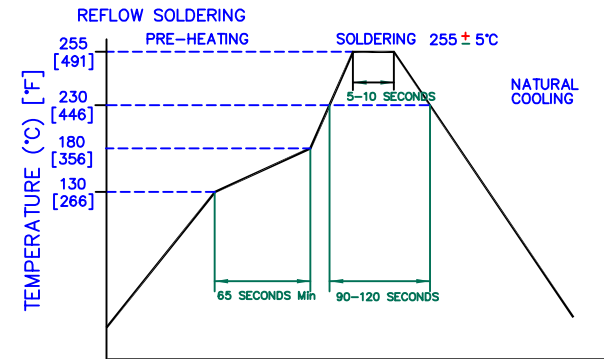
— Z — R — X<sub>L</sub>

LAND PATTERNS FOR REFLOW SOLDERING



(For wave soldering, add 0.762 [.030] to this dimension)

RECOMMENDED SOLDERING CONDITIONS



DIMENSIONS ARE IN mm [INCHES].				This print is the property of Laird Tech. and is loaned in confidence subject to return upon request and with the understanding that no copies shall be made without the written consent of Laird Tech. All rights to design or invention are reserved.		<b>Laird</b>		
F	OPERATING TEMPERATURE UPDATE LAIRD LOGO AND REFLOW CURVE	08/05/13	QU	PROJECT/PART NUMBER: HI1206N101R-10		REV: F	PART TYPE: CO-FIRE	DRAWN BY: BAC
E	UPDATE COMPANY LOGO	06/15/09	JRK	DATE: 01/12/01		SCALE: NTS	SHEET: 2 of 2	
D	ADD ROHS SYMBOL MODIFY NOTE 2	01/19/07	JRK	CAD #		TOOL #		
C	ADD DC BIAS CURVE COR. LANDPATTERN	03/07/03	JRK	DATE: 01/12/01		INT		
B	REMOVE NOTE 3	09/14/01	JRK	DATE: 01/12/01		INT		
A	ORIGINAL DRAFT	01/12/01	BAC	DATE: 01/12/01		INT		
REV	DESCRIPTION	DATE	INT	DATE: 01/12/01		INT		

